



Chipsmall Limited consists of a professional team with an average of over 10 year of expertise in the distribution of electronic components. Based in Hongkong, we have already established firm and mutual-benefit business relationships with customers from,Europe,America and south Asia,supplying obsolete and hard-to-find components to meet their specific needs.

With the principle of “Quality Parts,Customers Priority,Honest Operation,and Considerate Service”,our business mainly focus on the distribution of electronic components. Line cards we deal with include Microchip,ALPS,ROHM,Xilinx,Pulse,ON,Everlight and Freescale. Main products comprise IC,Modules,Potentiometer,IC Socket,Relay,Connector.Our parts cover such applications as commercial,industrial, and automotives areas.

We are looking forward to setting up business relationship with you and hope to provide you with the best service and solution. Let us make a better world for our industry!



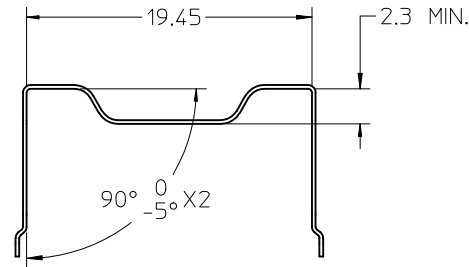
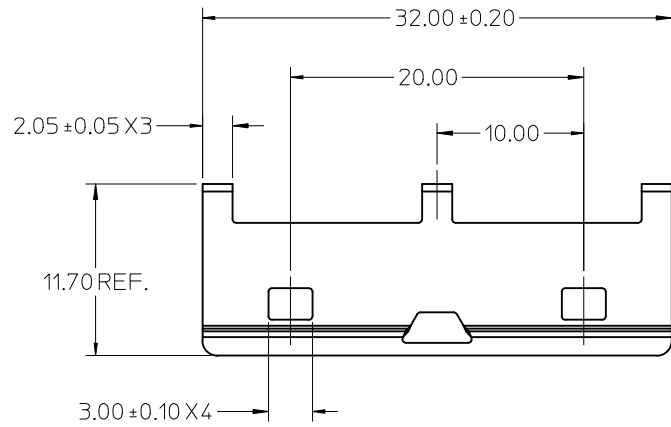
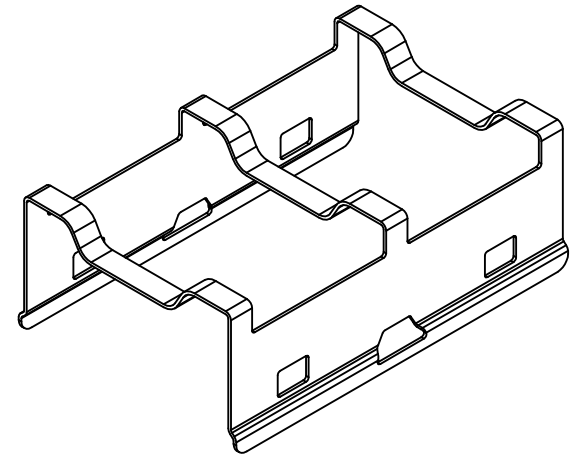
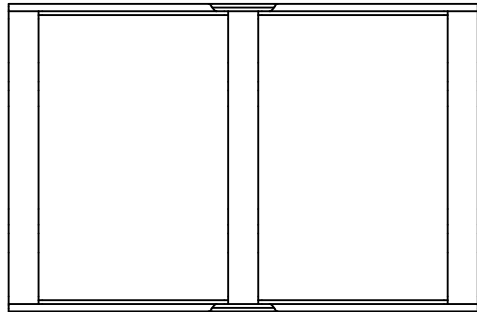
Contact us

Tel: +86-755-8981 8866 Fax: +86-755-8427 6832

Email & Skype: info@chipsmall.com Web: www.chipsmall.com

Address: A1208, Overseas Decoration Building, #122 Zhenhua RD., Futian, Shenzhen, China





MATERIAL: 301 STAINLESS STEEL
 TEMPER: FULL HARD
 ALL FEATURES ARE SYMMETRIC TO CENTERLINES.

EC NO: USY2011-0296 DRWN: CHIRSHY 2010/10/13 CHKD: MAJOHNST 2010/10/13 APPR: RMAHMOOD 2010/11/09	QUALITY SYMBOLS	GENERAL TOLERANCES (UNLESS SPECIFIED)		SCALE 3:1	DESIGN UNITS METRIC	THIRD ANGLE PROJECTION	REVISE ON CAD ONLY	
	-0 0		mm	INCH	DIMENSION STYLE MM ONLY		TITLE XFP CAGE, HEAT SINK CLIP	
		4 PLACES	± ---	± ---	DRAWN BY KLLOYD	DATE 2004/06/14	MOLEX INCORPORATED MATERIAL NO. 747360230 DOCUMENT NO. SD-74736-230 SHEET NO. 1 OF 1	
		3 PLACES	± ---	± ---	CHECKED BY BRUSSELL	DATE 2004/08/05		
2 PLACES	± 0.13	± ---	APPROVED BY RMAHMOOD		DATE 2010/11/09			
	1 PLACE	± 0.25	± ---	ANGULAR ± 2 °				
		DRAFT WHERE APPLICABLE MUST REMAIN WITHIN DIMENSIONS		THIS DRAWING CONTAINS INFORMATION THAT IS PROPRIETARY TO MOLEX INCORPORATED AND SHOULD NOT BE USED WITHOUT WRITTEN PERMISSION				