



Chipsmall Limited consists of a professional team with an average of over 10 year of expertise in the distribution of electronic components. Based in Hongkong, we have already established firm and mutual-benefit business relationships with customers from,Europe,America and south Asia,supplying obsolete and hard-to-find components to meet their specific needs.

With the principle of “Quality Parts,Customers Priority,Honest Operation,and Considerate Service”,our business mainly focus on the distribution of electronic components. Line cards we deal with include Microchip,ALPS,ROHM,Xilinx,Pulse,ON,Everlight and Freescale. Main products comprise IC,Modules,Potentiometer,IC Socket,Relay,Connector.Our parts cover such applications as commercial,industrial, and automotives areas.

We are looking forward to setting up business relationship with you and hope to provide you with the best service and solution. Let us make a better world for our industry!



Contact us

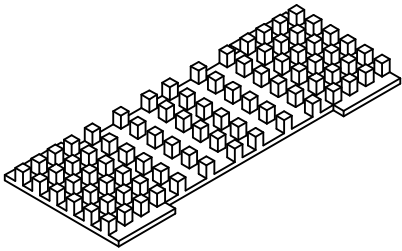
Tel: +86-755-8981 8866 Fax: +86-755-8427 6832

Email & Skype: info@chipsmall.com Web: www.chipsmall.com

Address: A1208, Overseas Decoration Building, #122 Zhenhua RD., Futian, Shenzhen, China

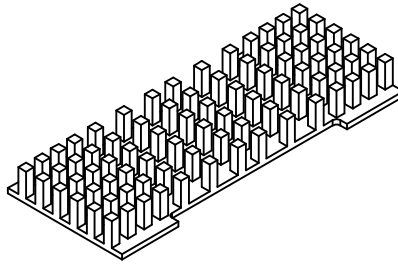


PCI HEIGHT



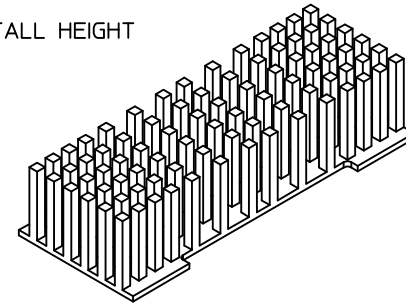
PART NUMBER - 747360240
 DIMENSION A - 4.2mm
 POWER LEVEL - UP TO 1.5W
 THERMAL RESISTANCE @ 200 LFM - <18.0 C/W

SAN HEIGHT

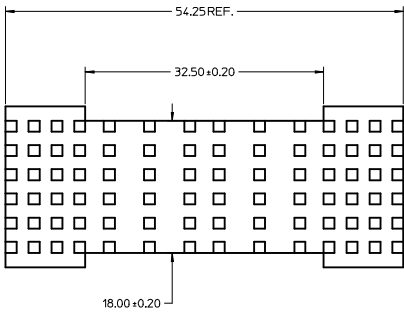


PART NUMBER - 747360241
 DIMENSION A - 6.5mm
 POWER LEVEL - UP TO 2.5W
 THERMAL RESISTANCE @ 200 LFM - <11.5 C/W

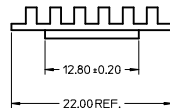
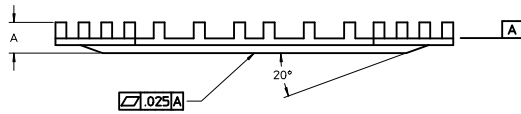
TALL HEIGHT



PART NUMBER - 747360242
 DIMENSION A - 13.5mm
 POWER LEVEL - UP TO 3.5W
 THERMAL RESISTANCE @ 200 LFM - <8.0 C/W



MATERIAL: ALUMINUM
 FINISH: BLACK ANODIZE
 CONFORMS TO XFP MSA REVISION 4.0
 CUSTOM DESIGNS AVAILABLE



REDRAWN EC NO: USY2010-0023 DRAWN: ERWIN 2009/07/28 CHKD: CHIRSHY 2009/07/31 APPR: MONDIE 2009/08/03 REV:	QUALITY SYMBOLS	GENERAL TOLERANCES (UNLESS SPECIFIED)	DIMENSION STYLE	SCALE	DESIGN UNITS	THIRD ANGLE PROJECTION															
	▽=0 ▽=0	<table border="1"> <thead> <tr> <th></th> <th>mm</th> <th>INCH</th> </tr> </thead> <tbody> <tr> <td>4 PLACES</td> <td>±.005</td> <td>±.0005</td> </tr> <tr> <td>3 PLACES</td> <td>±.010</td> <td>±.0010</td> </tr> <tr> <td>2 PLACES</td> <td>±.013</td> <td>±.0013</td> </tr> <tr> <td>1 PLACE</td> <td>±.025</td> <td>±.0025</td> </tr> </tbody> </table> ANGULAR ± 2°		mm	INCH	4 PLACES	±.005	±.0005	3 PLACES	±.010	±.0010	2 PLACES	±.013	±.0013	1 PLACE	±.025	±.0025	MM ONLY DRAWN BY: KLOYD DATE: 2004/06/11 CHECKED BY: BRUSSELL DATE: 2004/08/05 APPROVED BY: BRUSSELL DATE: 2004/08/05	3:1	METRIC	TITLE: XFP CAGE, PIN FIN HEAT SINKS MOLEX INCORPORATED DOCUMENT NO: SD-74736-0240
		mm	INCH																		
	4 PLACES	±.005	±.0005																		
3 PLACES	±.010	±.0010																			
2 PLACES	±.013	±.0013																			
1 PLACE	±.025	±.0025																			
DRAFT WHERE APPLICABLE MUST REMAIN WITHIN DIMENSIONS	SEE DRAWING	MATERIAL NO.	SHEET NO.																		
	SIZE D	THIS DRAWING CONTAINS INFORMATION THAT IS PROPRIETARY TO MOLEX INCORPORATED AND SHOULD NOT BE USED WITHOUT WRITTEN PERMISSION																			

20 19 18 17 16 15 14 13 12 11 10 9 8 7 6 5 4 3 2 1

DATE	REV	DESCRIPTION
2004/06/11	A	INITIAL RELEASE
2008/08/18	B	1. ADDED REVISION HISTORY
		2. 6.5mm DIMENSION WAS 6.50mm
		3. 4.2mm DIMENSION WAS 4.20mm

REDRAWN IEC NO. USY2010-0023 DRAWN: LERMIN 2009/07/28 CHECKED: CHIRSCHY 2009/07/31 APPR: KMONROE 2009/08/03	QUALITY SYMBOLS	GENERAL TOLERANCES (UNLESS SPECIFIED)	DIMENSION STYLE	SCALE	DESIGN UNITS	THIRD ANGLE PROJECTION
	▽=0 ▽=0	mm INCH 4 PLACES ± --- ± --- 3 PLACES ± --- ± --- 2 PLACES ± 0.13 ± --- 1 PLACE ± 0.25 ± --- ANGULAR ± 2 °	MM ONLY DRAWN BY DATE K LLOYD 2004/06/11 CHECKED BY DATE BRUSSELL 2004/08/05 APPROVED BY DATE BRUSSELL 2004/08/05	DATE TITLE XFP CAGE, PIN FIN HEAT SINKS	METRIC	
	DRAFT WHERE APPLICABLE MUST REMAIN WITHIN DIMENSIONS	SEE DRAWING MATERIAL NO.	MOLEX INCORPORATED DOCUMENT NO.	SHEET NO. 2 OF 2		
	THIS DRAWING CONTAINS INFORMATION THAT IS PROPRIETARY TO MOLEX INCORPORATED AND SHOULD NOT BE USED WITHOUT WRITTEN PERMISSION		SD-74736-0240			

19 18 17 16 15 14 13 12 11 10 9 8 7 6 5 4 3 2 1