



Chipsmall Limited consists of a professional team with an average of over 10 year of expertise in the distribution of electronic components. Based in Hongkong, we have already established firm and mutual-benefit business relationships with customers from,Europe,America and south Asia,supplying obsolete and hard-to-find components to meet their specific needs.

With the principle of “Quality Parts,Customers Priority,Honest Operation,and Considerate Service”,our business mainly focus on the distribution of electronic components. Line cards we deal with include Microchip,ALPS,ROHM,Xilinx,Pulse,ON,Everlight and Freescale. Main products comprise IC,Modules,Potentiometer,IC Socket,Relay,Connector.Our parts cover such applications as commercial,industrial, and automotives areas.

We are looking forward to setting up business relationship with you and hope to provide you with the best service and solution. Let us make a better world for our industry!



Contact us

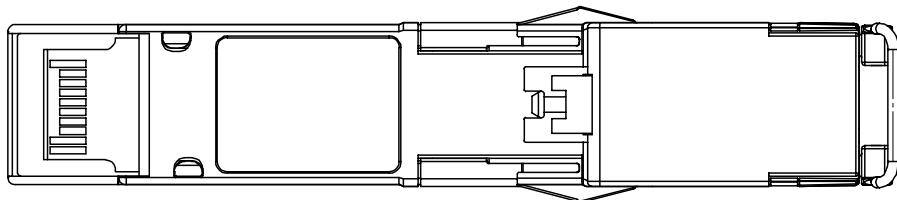
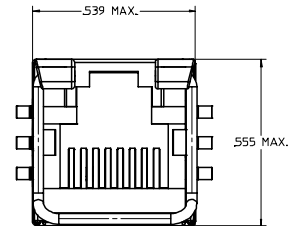
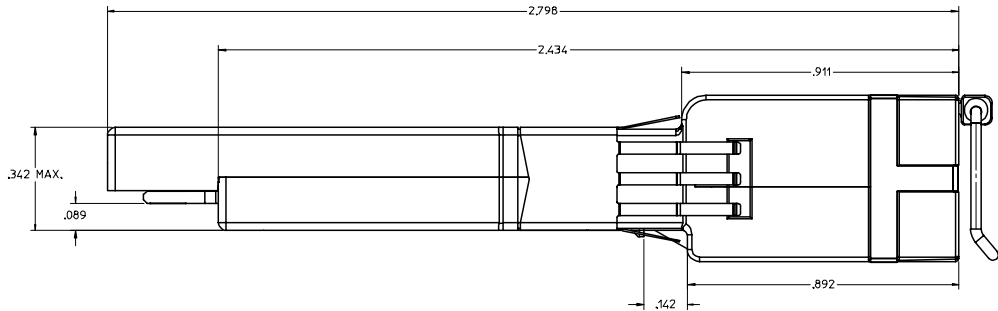
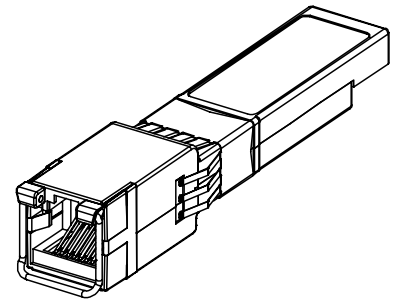
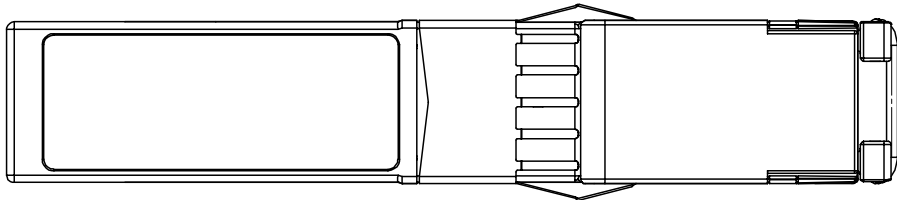
Tel: +86-755-8981 8866 Fax: +86-755-8427 6832

Email & Skype: info@chipsmall.com Web: www.chipsmall.com

Address: A1208, Overseas Decoration Building, #122 Zhenhua RD., Futian, Shenzhen, China



20 | 19 | 18 | 17 | 16 | 15 | 14 | 13 | 12 | 11 | 74741 | 9 | 8 | 7 | 6 | 5 | 4 | 3 | 2 | 1



FEATURES:

1. MEETS IEEE 802.3z, u. ab.
2. MEETS 1000BASE-T STANDARDS.
3. MATES WITH STANDARD SFP MSA SPECIFICATION COMPONENTS.
4. MATES WITH COMMON 1X4 AND OTHER GANGED SFP CAGES.
5. HOT PLUGGABLE.
6. REQUIRES <1 WATT OF POWER.
7. SERIAL ID.
8. SOFTWARE CONFIGURABLE.
9. 100 METER CAT-5 AT <10 BER.
10. CENTERED RJ-45 MOD JACK, CONFORMS TO 1U RACK.
11. .567 INCH SPACE REQUIRED BETWEEN ADJACENT CAGE ON TOP OR BOTTOM.
12. ROBUST ZINC ALLOY DIE CAST BODY, NICKEL PLATED.
13. EMI GROUNDING GIRDLE PROVIDES 13 CONTACT POINTS AROUND CAGE OPENING.
14. BAIL DE-LATCH SYSTEM, USES LIFT AND PULL ACTION TO REMOVE.

747410005	1000BASE-T SFP RJ-45 CENTERED. LOS GND,REV B1 PHY
747410006	1000BASE-T SFP RJ-45 CENTERED. LOS TOGGLE,REV B1 PHY

EC NO: USY2006-0424 DRWN:SNAAVARRO2006/05/11 CHKD:BRUSSELL 2006/05/11 APPR:BRUSSELL 2006/05/12	QUALITY SYMBOLS	GENERAL TOLERANCES (UNLESS SPECIFIED)	SCALE 5:1	DESIGN UNITS INCH	THIRD ANGLE PROJECTION	REVISE ON CAD ONLY	
	0.0 0.0	4 PLACES ± --- ± --- 3 PLACES ± --- ± --- 2 PLACES ± --- ± --- 1 PLACE ± --- ± ---	mm INCH INCH ONLY	DIMENSION STYLE		TITLE	
		DRAFT WHERE APPLICABLE MUST REMAIN WITHIN DIMENSIONS		DRAWN BY KLOYD	DATE 2006/05/11	1000 BASE-T SFP ADAPTER SALES DRAWING	
				CHECKED BY BRUSSELL	DATE 2006/05/11	MOLEX INCORPORATED	
			APPROVED BY BRUSSELL	DATE 2005/05/11	MATERIAL NO. SEE CHART	DOCUMENT NO. SD-74741-005	
			THIS DRAWING CONTAINS INFORMATION THAT IS PROPRIETARY TO MOLEX INCORPORATED AND SHOULD NOT BE USED WITHOUT WRITTEN PERMISSION		SHEET NO. 1 OF 1		

19 | 18 | 17 | 16 | 15 | 14 | 13 | 12 | 11 | 10 | 9 | 8 | 7 | 6 | 5 | 4 | 3 | 2 | 1