



Chipsmall Limited consists of a professional team with an average of over 10 year of expertise in the distribution of electronic components. Based in Hongkong, we have already established firm and mutual-benefit business relationships with customers from,Europe,America and south Asia,supplying obsolete and hard-to-find components to meet their specific needs.

With the principle of “Quality Parts,Customers Priority,Honest Operation,and Considerate Service”,our business mainly focus on the distribution of electronic components. Line cards we deal with include Microchip,ALPS,ROHM,Xilinx,Pulse,ON,Everlight and Freescale. Main products comprise IC,Modules,Potentiometer,IC Socket,Relay,Connector.Our parts cover such applications as commercial,industrial, and automotives areas.

We are looking forward to setting up business relationship with you and hope to provide you with the best service and solution. Let us make a better world for our industry!



## Contact us

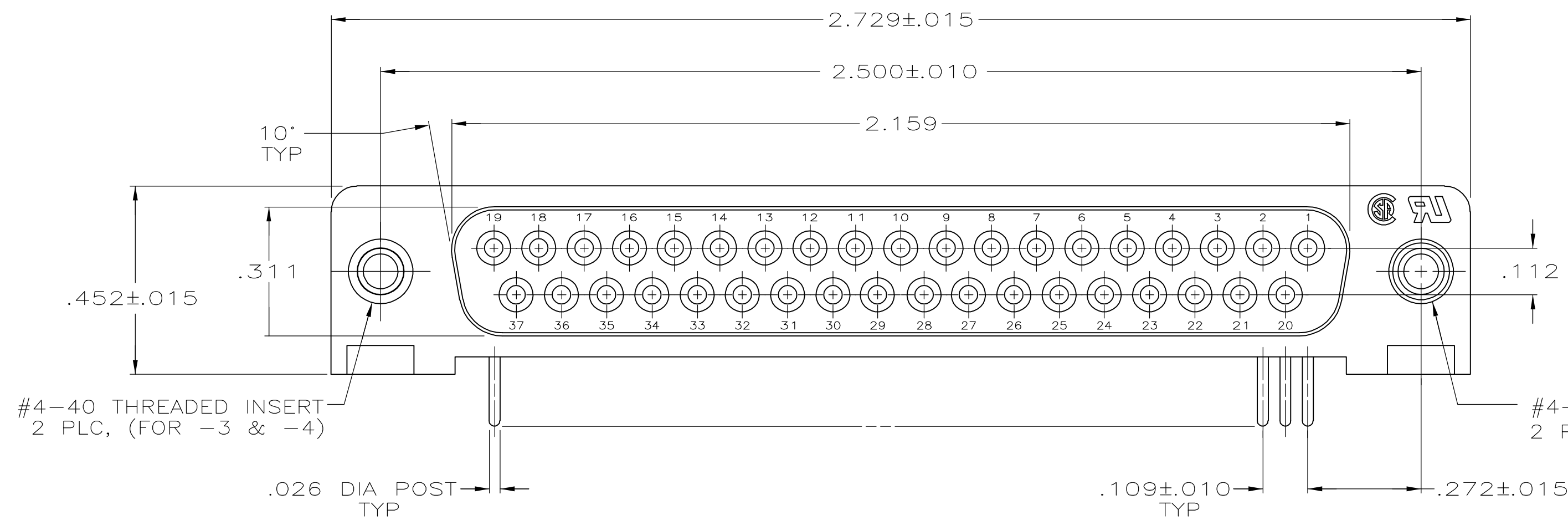
Tel: +86-755-8981 8866 Fax: +86-755-8427 6832

Email & Skype: info@chipsmall.com Web: www.chipsmall.com

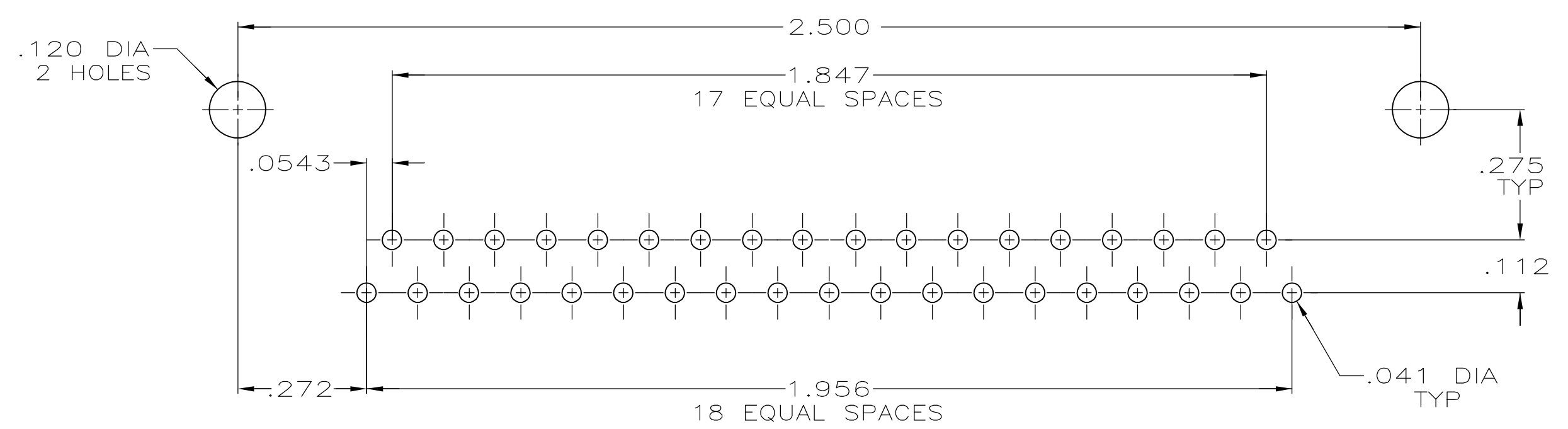
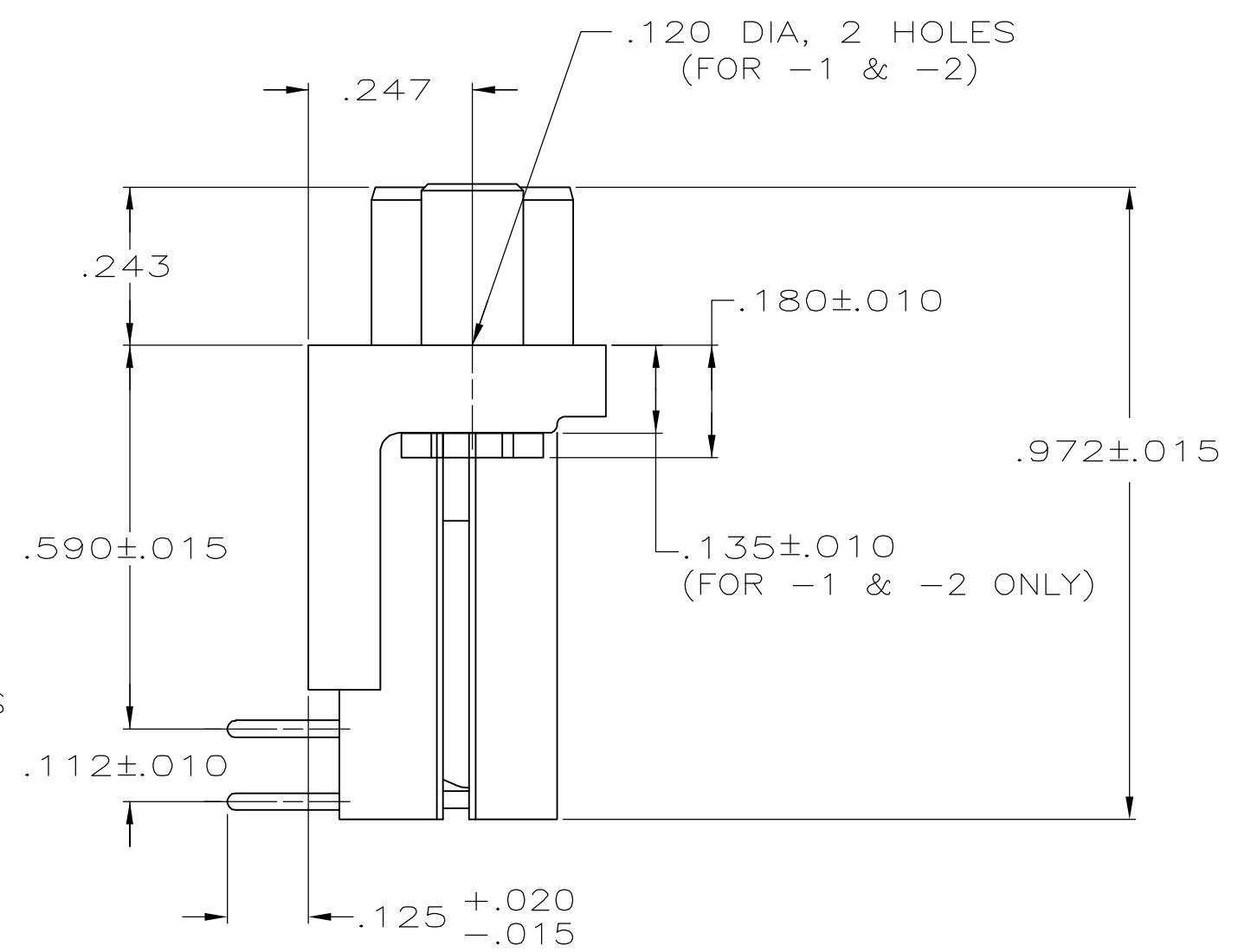
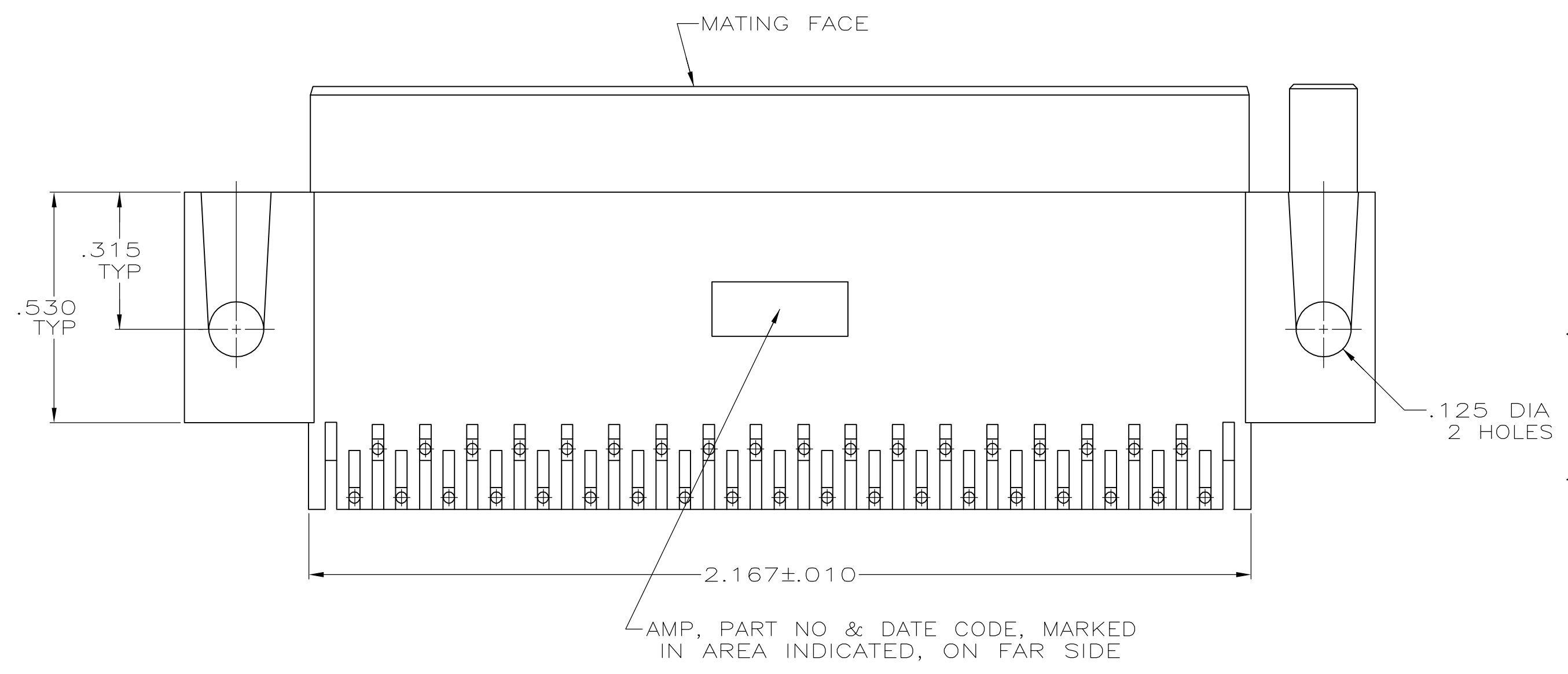
Address: A1208, Overseas Decoration Building, #122 Zhenhua RD., Futian, Shenzhen, China



LOC		DIST		REVISIONS			
P	LTR	DESCRIPTION	DATE	DWN	APVD		
H		OBS -4, -6 PER ECO-07-000087	1-22-07	CJV	SB		



- 1 HOUSING: FLAME RETARDANT, 94V-0 RATED, GLASS FILLED, NYLON OR POLYESTER, COLOR: BLACK.
- 2 CONTACT: PHOS. BRONZE PER QQ-B-750.
- 3 REFER TO APPLICATION SPEC FOR RECOMMENDED P.C. BOARD MOUNTING DIMENSIONS FOR AUTOMATIC INSERTION.
- 4 HARDWARE: ZINC.
- 5 HARDWARE FINISH: CLEAR CHROMATE.
- 6 PLATED WITH GOLD FLASH FOR LENGTH OF .055 MIN FROM MATING END, WITH POINT OF MEASUREMENT .035 FROM MATING END OF CONTACT, .000100-.000200 TIN OR TIN-LEAD ON SOLDER END, ALL OVER .000050 NICKEL ON ENTIRE CONTACT.
- 7 PLATED WITH .000030 GOLD FOR LENGTH OF .055 MIN FROM MATING END, WITH POINT OF MEASUREMENT .035 FROM MATING END OF CONTACT, .000100-.000200 TIN OR TIN-LEAD ON SOLDER END, ALL OVER .000050 NICKEL ON ENTIRE CONTACT.



RECOMMENDED P.C. BOARD MOUNTING DIMENSIONS 3

REMARKS	FINISH	PART NUMBER
OBSOLETE WITH SCREWLOCKS	7	747462 -6
OBSOLETE WITH SCREWLOCKS	6	747462 -5
OBSOLETE WITH INSERTS	7	747462 -4
SUPSD BY 747462-4 WITH INSERTS	6	747462 -3
WITH .120 DIA HOLE	7	747462 -2
SUPSD BY 747462-2 WITH .120 DIA HOLE	6	747462 -1

THIS DRAWING IS A CONTROLLED DOCUMENT.

DIMENSIONS: INCHES	TOLERANCES UNLESS OTHERWISE SPECIFIED:	DWN: C. RICHARD 7-29-87	Tyco Electronics Corporation Harrisburg, PA 17105-3608
0 PLC ± -	1 PLC ± -	DIC: S. WELDON 7-30-87	
2 PLC ± -	3 PLC ± .005	APVD: B. TAYLOR 8-3-97	NAME: RECEPTACLE ASSY, SIZE 4, 37 POSN, RIGHT ANGLE, .590 SERIES, .026 DIA POSTS, AMPLIMITE® HD-20 PRODUCT SPEC: 108-40025 APPLICATION SPEC: 114-40015
MATERIAL	FINISH: CONTACTS: SEE TABLE	SIZE: A1	CUSTOMER DRAWING SCALE: 4:1 SHEET 1 OF 1 REV H