



Chipsmall Limited consists of a professional team with an average of over 10 year of expertise in the distribution of electronic components. Based in Hongkong, we have already established firm and mutual-benefit business relationships with customers from,Europe,America and south Asia,supplying obsolete and hard-to-find components to meet their specific needs.

With the principle of "Quality Parts,Customers Priority,Honest Operation,and Considerate Service",our business mainly focus on the distribution of electronic components. Line cards we deal with include Microchip,ALPS,ROHM,Xilinx,Pulse,ON,Everlight and Freescale. Main products comprise IC,Modules,Potentiometer,IC Socket,Relay,Connector.Our parts cover such applications as commercial,industrial, and automotives areas.

We are looking forward to setting up business relationship with you and hope to provide you with the best service and solution. Let us make a better world for our industry!



Contact us

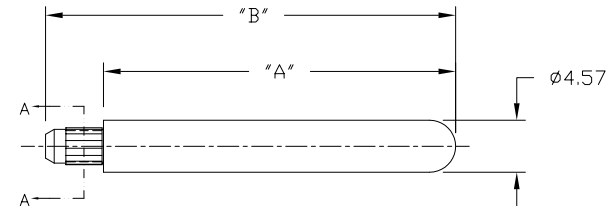
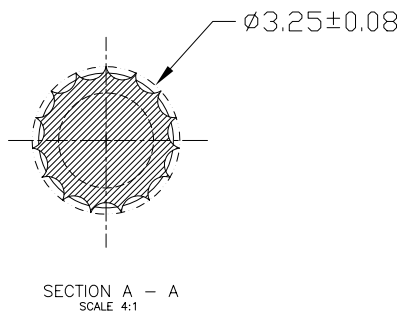
Tel: +86-755-8981 8866 Fax: +86-755-8427 6832

Email & Skype: info@chipsmall.com Web: www.chipsmall.com

Address: A1208, Overseas Decoration Building, #122 Zhenhua RD., Futian, Shenzhen, China

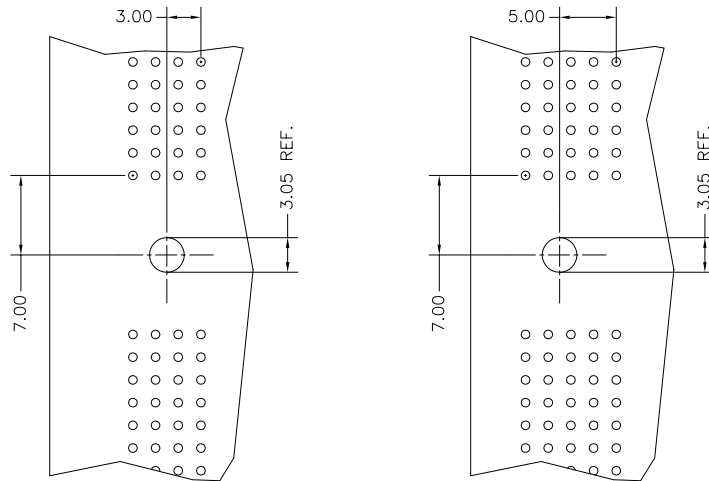


PRODUCT NUMBER	DIMENSIONS	
	"A"	"B"
74748-101	31.00	36.10
74748-102	20.02	25.12



NOTES:

- MATERIAL: STAINLESS STEEL, TYPE 303.
FINISH: PASSIVATED.
- THIS GUIDE PIN IS INTENDED TO BE INSERTED INTO A 3.05 ± 0.08 NONPLATED THROUGH HOLE.
- SHORT GUIDE PINS TO BE USED WHEN A PCB STIFFENER IS PRESENT ON BOARD.
- THIS GUIDE PIN IS TO BE USED WITH RECEPTACLE P/N 88917 FOR A 4 ROW APPLICATION, AND P/N 73474 FOR A 5 ROW APPLICATION.
- PART NUMBERS WITH "LF" SUFFIX AT THE END ARE LEAD FREE OPTION.
- THIS PRODUCT MEETS EUROPEAN UNION DIRECTIVES AND OTHER COUNTRY REGULATION AS DESCRIBED IN GS-22-008.



RECOMMENDED HOLE PATTERN WHEN STACKED BESIDE A STANDARD 4 MOD METRAL HEADER COMPONENT SIDE

RECOMMENDED HOLE PATTERN WHEN STACKED BESIDE A STANDARD 5 MOD METRAL HEADER COMPONENT SIDE

mat'l. code SEE NOTE 1		surface ISO 1302 ✓	tolerance ISO 406 ISO 1101	projection MM	product family METRAL ACC
ltr	ecn no	dr	date	tolerances unless otherwise specified	title
D	V12721	RPM	11/20/01	angles .0±.3	PRESS-FIT GUIDE PIN
E	V12733	LSS	12/6/01	linear .00±.13	
F	V20703	CGD	04/15/02	0'±2' .000±.0051	
G	V21645	TAB	10/15/02	dr M.FETROW 4/24/98	scale 1:1
H	M06-0055	MHT	2/01/06	engr C.PENDLETON 4/24/98	FCJ
J	M06-0277	MHT	7/22/06	chr C.PENDLETON 4/24/98	
sheet index		revision sheet	J 1	appd C.PENDLETON 4/24/98	dwg no 74748
					sheet 1 of 1 size A3
					type Product Customer Drawing