



Chipsmall Limited consists of a professional team with an average of over 10 year of expertise in the distribution of electronic components. Based in Hongkong, we have already established firm and mutual-benefit business relationships with customers from,Europe,America and south Asia,supplying obsolete and hard-to-find components to meet their specific needs.

With the principle of “Quality Parts,Customers Priority,Honest Operation,and Considerate Service”,our business mainly focus on the distribution of electronic components. Line cards we deal with include Microchip,ALPS,ROHM,Xilinx,Pulse,ON,Everlight and Freescale. Main products comprise IC,Modules,Potentiometer,IC Socket,Relay,Connector.Our parts cover such applications as commercial,industrial, and automotives areas.

We are looking forward to setting up business relationship with you and hope to provide you with the best service and solution. Let us make a better world for our industry!



## Contact us

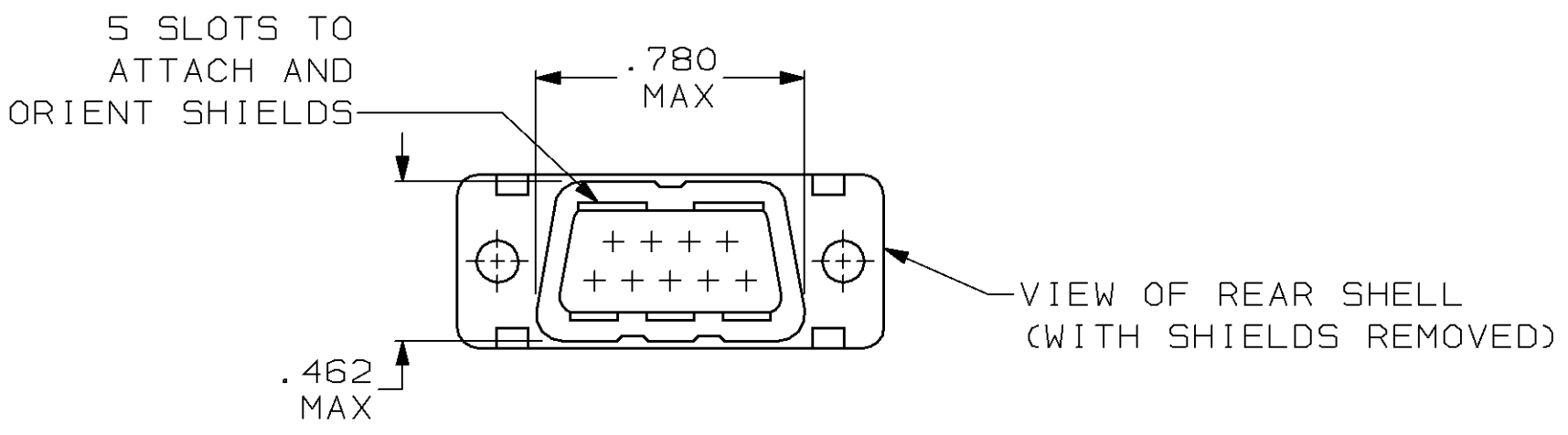
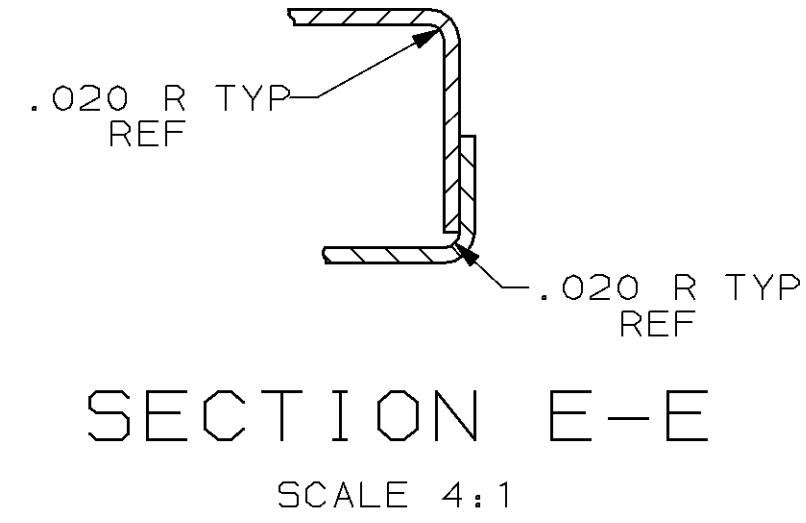
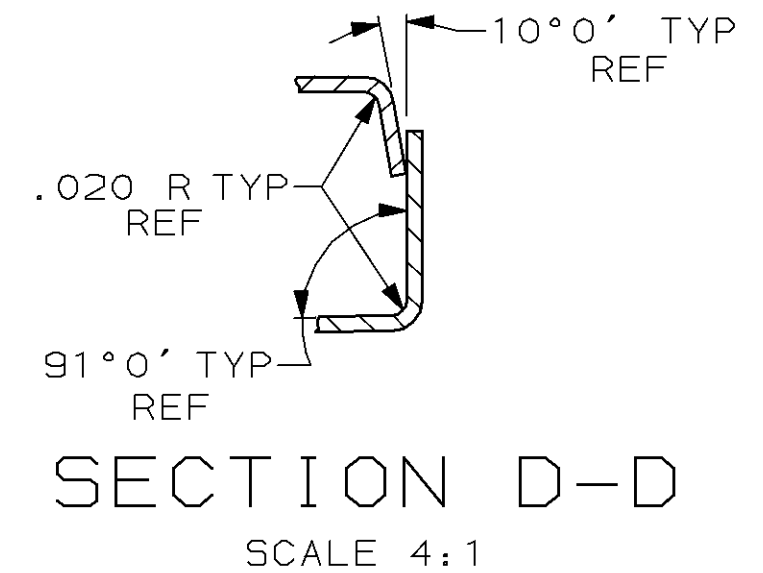
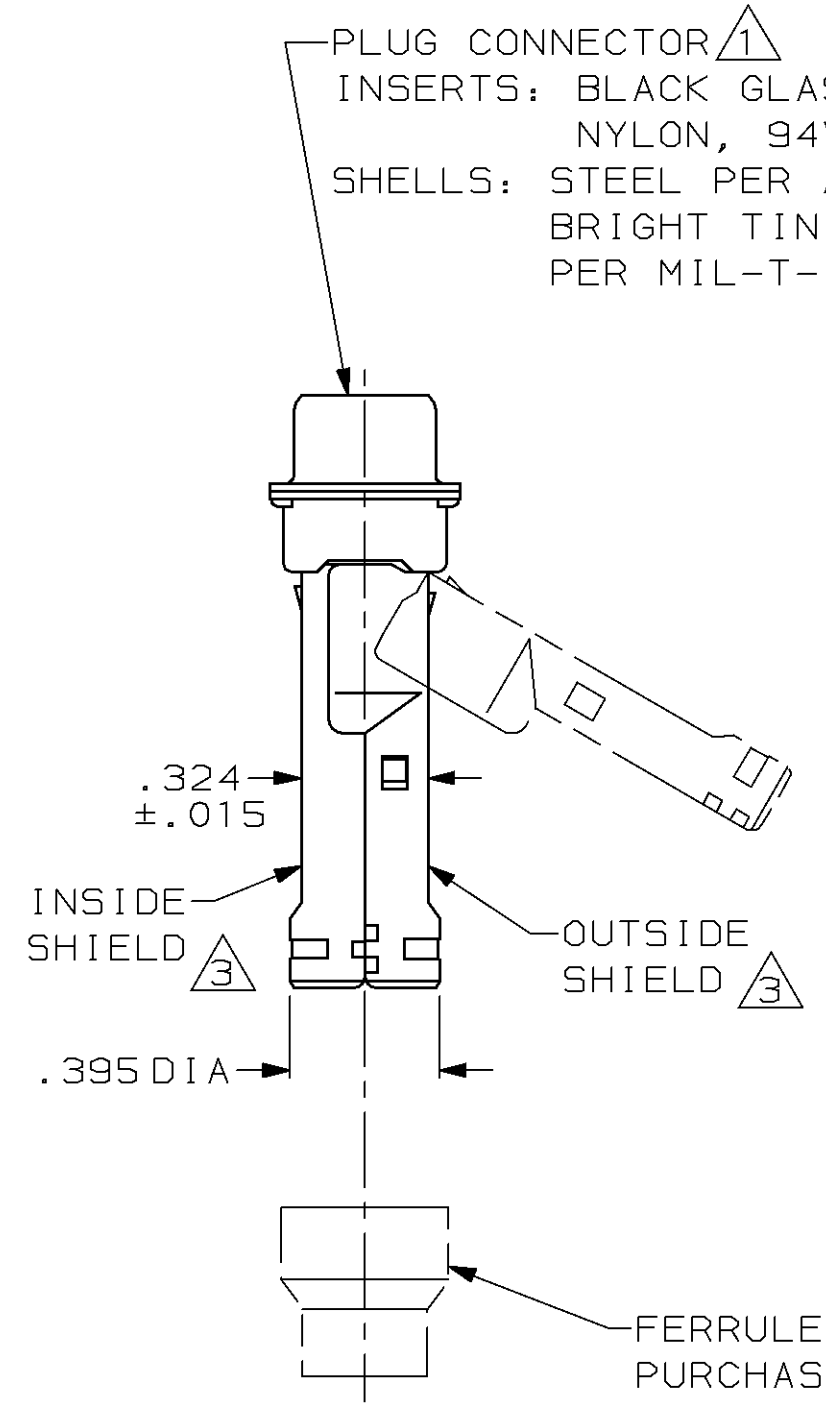
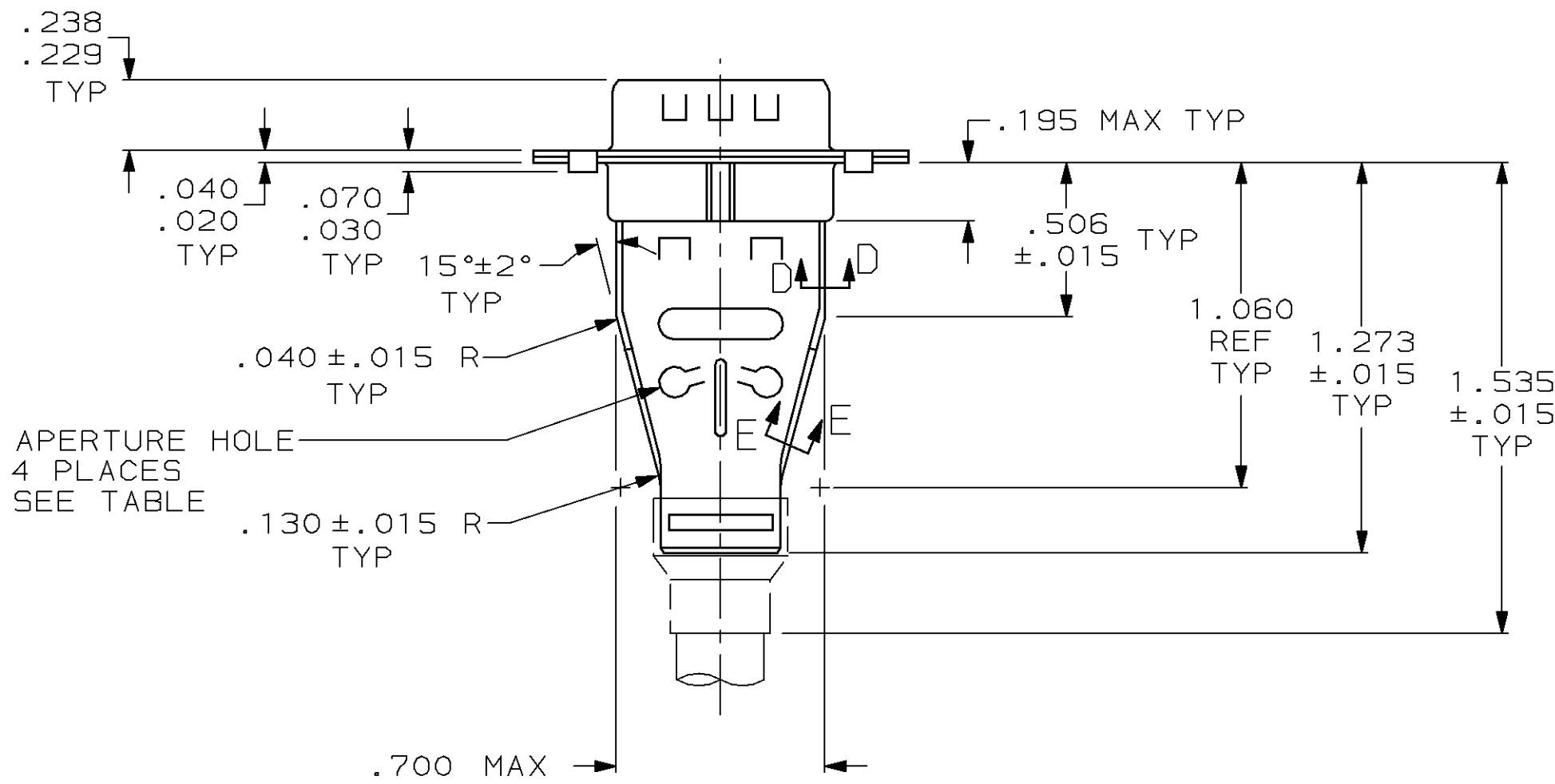
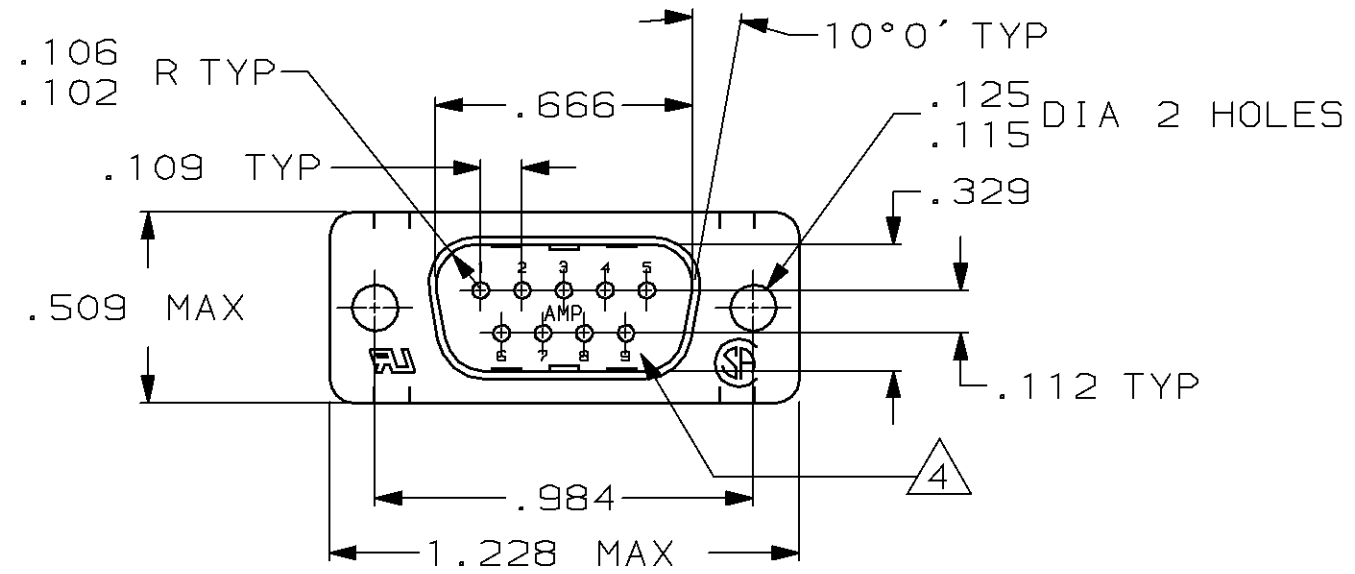
Tel: +86-755-8981 8866 Fax: +86-755-8427 6832

Email & Skype: info@chipsmall.com Web: www.chipsmall.com

Address: A1208, Overseas Decoration Building, #122 Zhenhua RD., Futian, Shenzhen, China



LOC	DIST	P	F	REVISIONS				
				ZONE	LTR	DESCRIPTION	DATE	APPD
BD	48			A		REDRAWN	5-24-90	-
				B		REV PER ECN BD5049	7-2-91	TMS
				C		ADDED -2 NPR3889 WAS 91-5788-2-1	01/02/92	TMS
				D		OBS -2 PER ECN BD5856	01/17/92	TMS
				E		REACTIVATED -2 PER NPR 3975	02/14/92	TMS
				F		ADDED -3 PER NPR 4263	07/10/92	SB
				G		OBS -2, -3 PER EC 0020-724-95	08 MAR 96	JCS



OBSOLETE		5
OBSOLETE	WITHOUT	747522-2
	WITH	747522-1
	APERTURE HOLE	PART NUMBER

- 1 PLUG ACCEPTS SIZE 20 PIN CONTACTS (CONTACTS MUST BE ORDERED SEPARATELY).
- 2. ALL PARTS SHIPPED UNASSEMBLED, EACH PART INDIVIDUALLY BULK PACKED.
- 3 SHIELDS: MATERIAL-.020 THICK STEEL, TIN PLATED PER MIL-T-10727.
- 4 RAISED CAVITY IDENTIFICATION AND AMP TRADEMARK.
- 5 SEE RESTRICTED CUSTOMER DRAWING 747522-3.

DO NOT SCALE PRINT. UNLESS SPECIFIED DIMENSIONS IN INCHES TOLERANCES ON :	DR 5-24-90 J GALLUCCI BG	AMP INCORPORATED Harrisburg, Pa. 17105		
2 PLC DEC ± -	CHK J. McCLINTON 8-31-90			
3 PLC DEC ± .005	APPD B. TAYLOR 9-4-90	NAME KIT, PLUG, SHIELDING HARDWARE, SIZE 1, 9 POSN, HDP-20, AMPLIMITE™		
ANGLES ± 0°30'	APPD J. ASSINI 9-4-90			
MATERIAL	PRODUCT SPEC	SIZE	FSCM NO	DRAWING NO
SEE CALL OUT		C	00779	747522
FINISH	APPLICATION SPEC	SCALE		SHEET
SEE CALL OUT		2:1		1 OF 1
	WEIGHT			