



Chipsmall Limited consists of a professional team with an average of over 10 year of expertise in the distribution of electronic components. Based in Hongkong, we have already established firm and mutual-benefit business relationships with customers from,Europe,America and south Asia,supplying obsolete and hard-to-find components to meet their specific needs.

With the principle of “Quality Parts,Customers Priority,Honest Operation,and Considerate Service”,our business mainly focus on the distribution of electronic components. Line cards we deal with include Microchip,ALPS,ROHM,Xilinx,Pulse,ON,Everlight and Freescale. Main products comprise IC,Modules,Potentiometer,IC Socket,Relay,Connector.Our parts cover such applications as commercial,industrial, and automotives areas.

We are looking forward to setting up business relationship with you and hope to provide you with the best service and solution. Let us make a better world for our industry!



Contact us

Tel: +86-755-8981 8866 Fax: +86-755-8427 6832

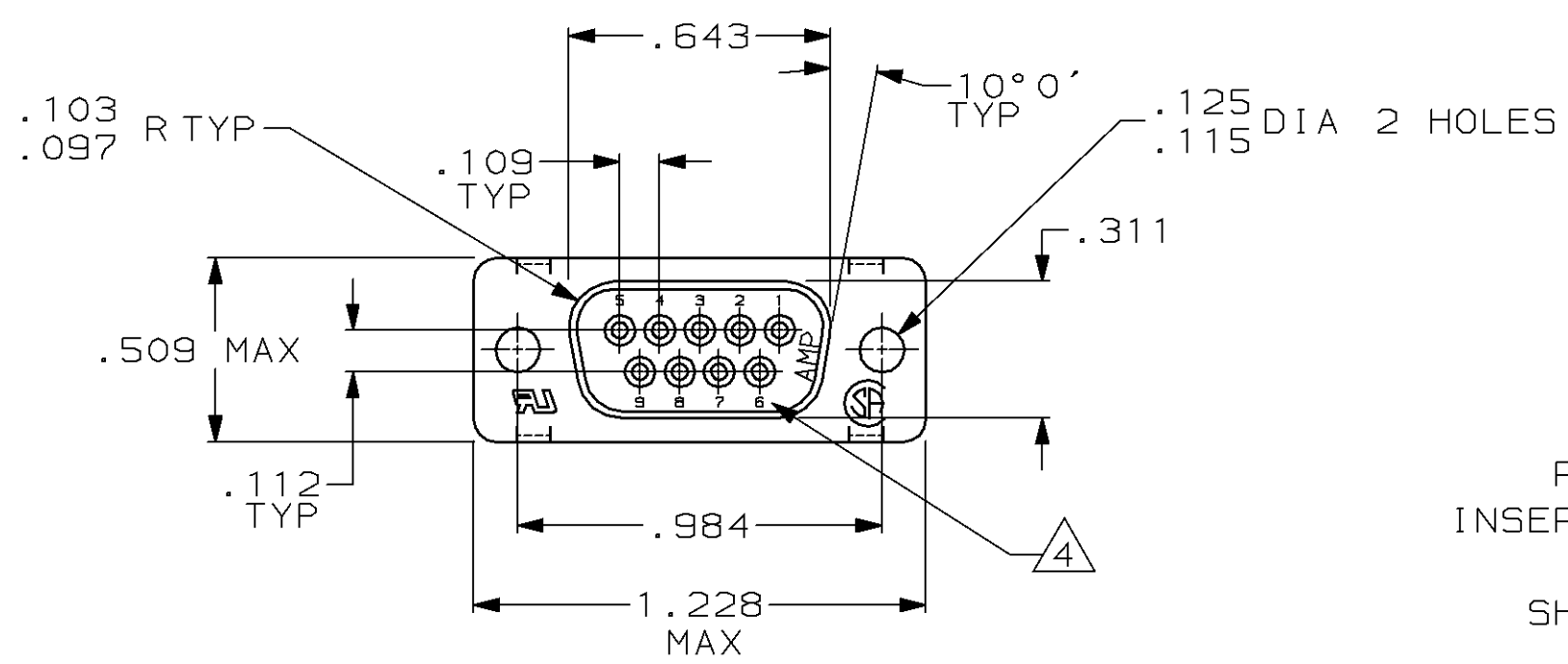
Email & Skype: info@chipsmall.com Web: www.chipsmall.com

Address: A1208, Overseas Decoration Building, #122 Zhenhua RD., Futian, Shenzhen, China

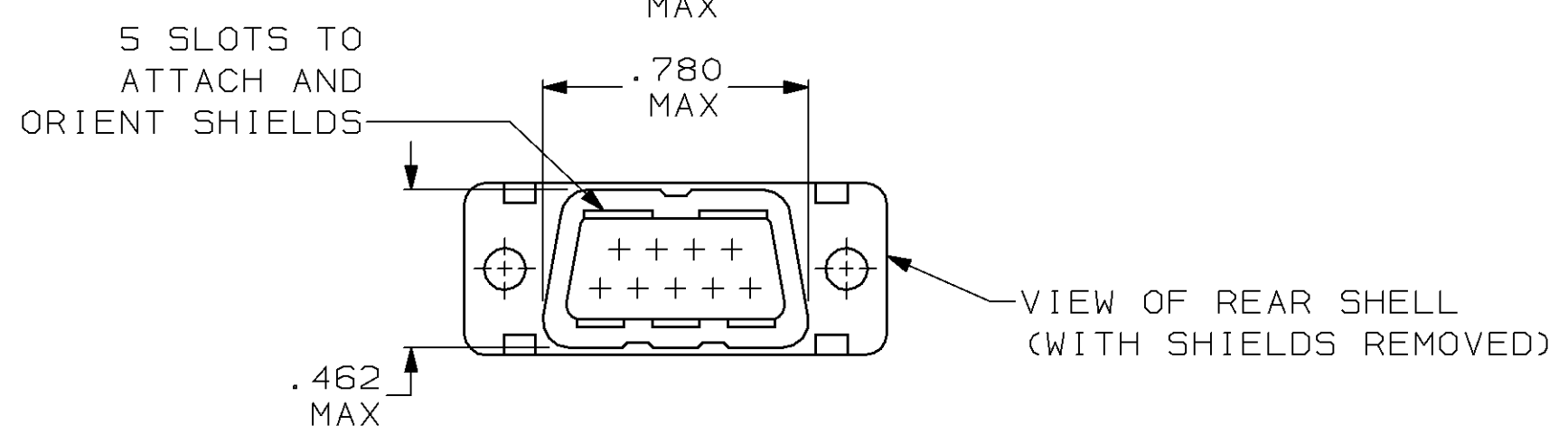
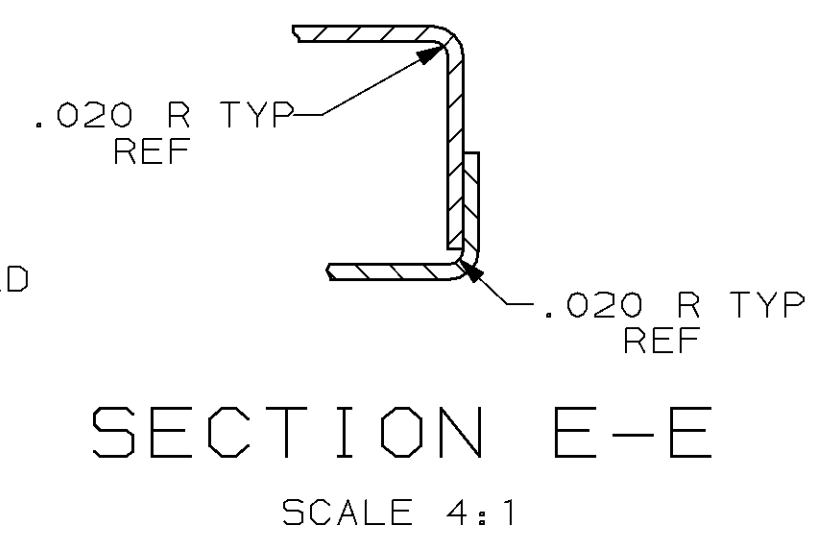
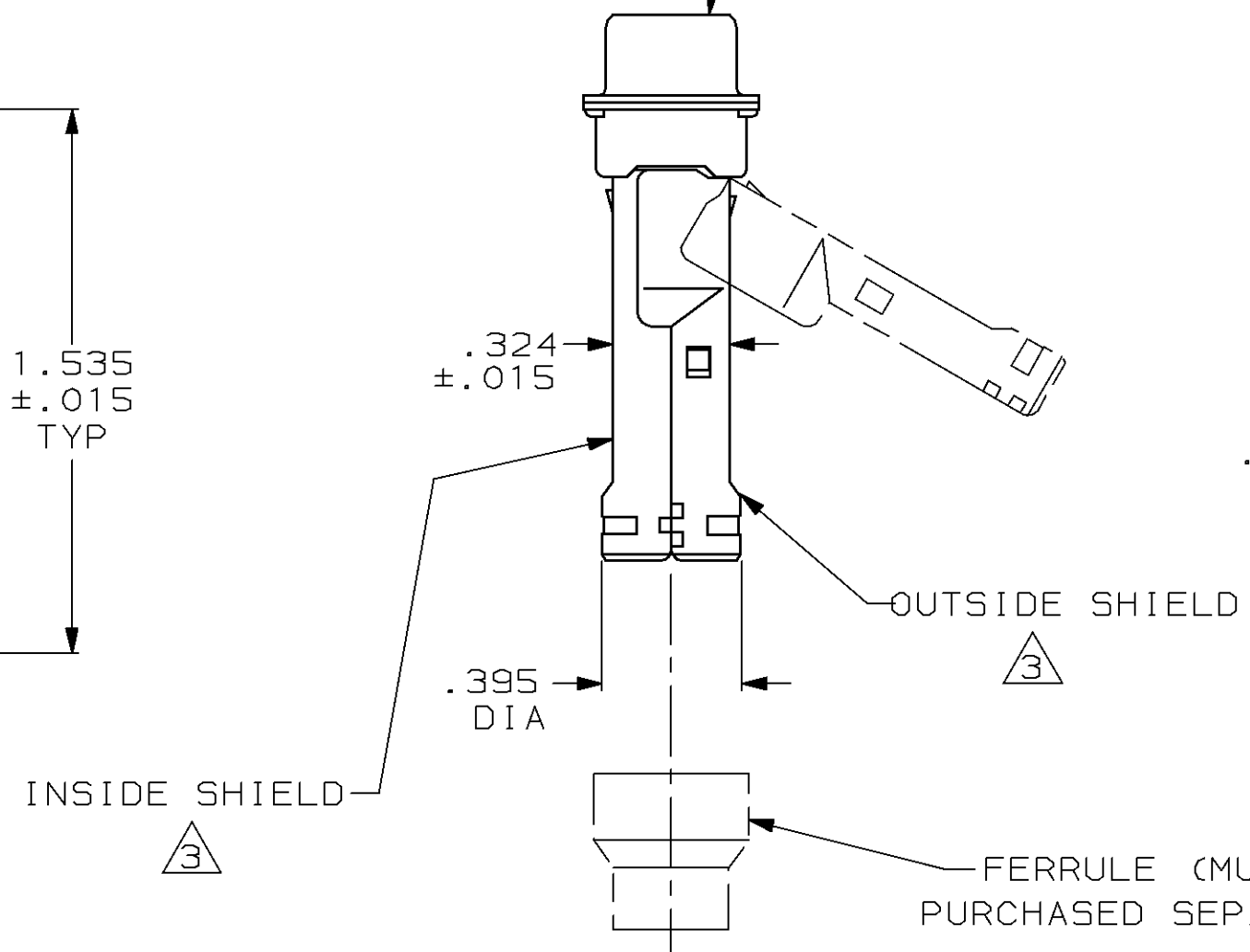
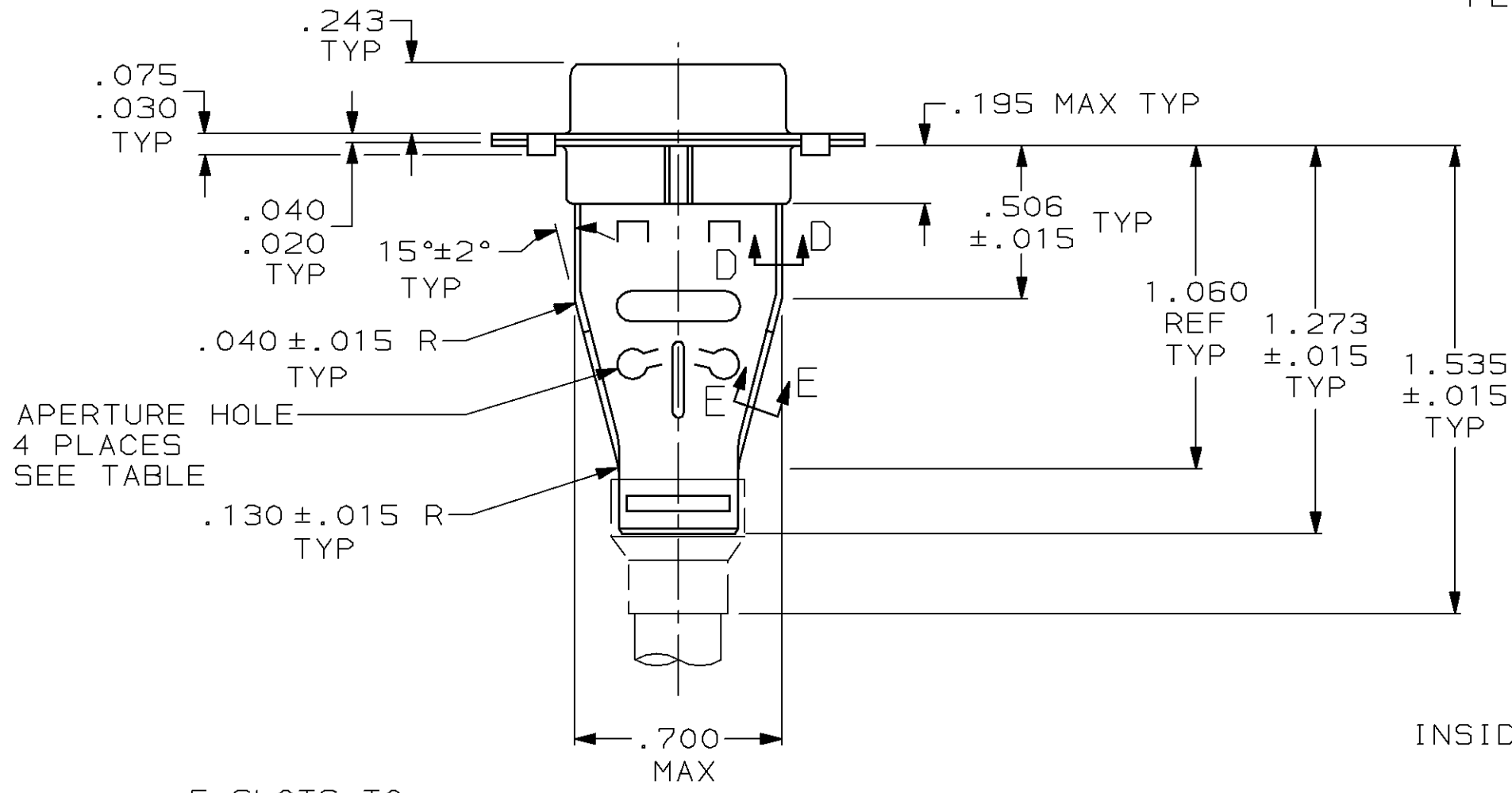
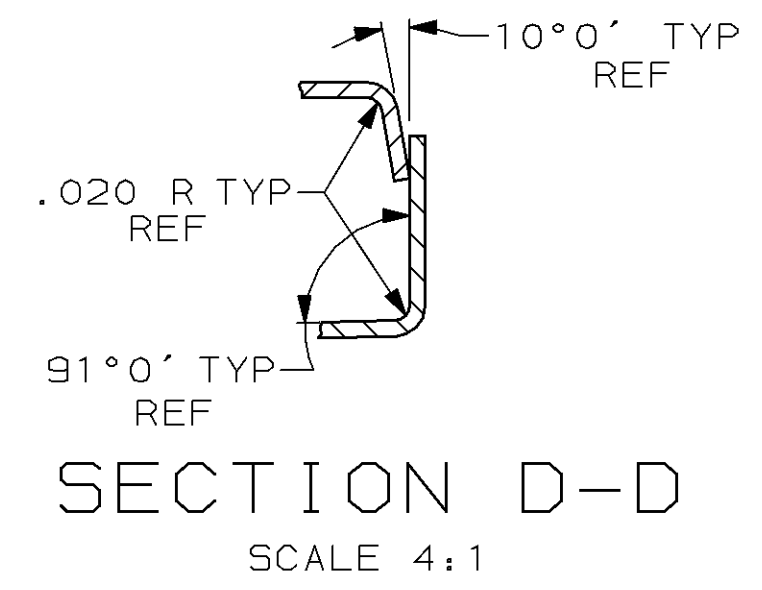


THIS DRAWING IS UNPUBLISHED. RELEASED FOR PUBLICATION, 19
 © COPYRIGHT 19 BY AMP INCORPORATED. ALL INTERNATIONAL RIGHTS RESERVED.

LOC	DIST	P	F	REVISIONS				
				ZONE	LTR	DESCRIPTION	DATE	APPD
BD	48			A		REDRAWN	5-23-90	-
				B		REV PER ECN BD5049	7-2-91	TMS
				C		ADDED-2 NPR3889 WAS 91-5788-1-1	01/02/92	TMS
				D		OBS -2 PER ECN BD5856	01/17/92	TMS
				E		REACTIVATED -2 PER NPR 3975	02/14/92	TMS
				F		ADD -3 PER NPR 4199 WAS 92-5788-4	06/03/92	TBS
				G		OBS -2, -3 PER EC 0020-724-95	08 MAR 96	JCS



RECEPTACLE CONNECTOR ¹
 INSERT: BLACK GLASS FILLED NYLON
 94 V-0 RATED
 SHELL: STEEL PER ASTM A109
 BRIGHT TIN PLATED
 PER MIL-T-10727



OBSOLETE	-	⁵
OBSOLETE	WITHOUT	747523-2
	WITH	747523-1
	APERTURE HOLE	PART NUMBER

- ¹ RECEPTACLE ACCEPTS SIZE 20 SOCKET CONTACTS (CONTACTS ORDERED SEPARATELY)
- 2 ALL PARTS SHIPPED UNASSEMBLED, EACH PART INDIVIDUALLY BULK PACKED.
- ³ SHIELDS: MATERIAL-.020 THICK STEEL, TIN PLATED PER MIL-T-107207.
- ⁴ RAISED CAVITY IDENTIFICATION AND AMP TRADEMARK.
- ⁵ SEE RESTRICTED CUSTOMER DRAWING 747523-3.

DO NOT SCALE PRINT. UNLESS SPECIFIED DIMENSIONS IN INCHES TOLERANCES ON: 2 PLC DEC ± - 3 PLC DEC ± .005 ANGLES ± 0°30'	DR 5/23/90 A. STAUB BG	AMP INCORPORATED Harrisburg, Pa. 17105	
	CHK J. McCLINTON 8-31-90		
MATERIAL SEE CALL OUT ³	APPD B. TAYLOR 9-4-90	KIT, RCPT, SHIELDING HARDWARE, SIZE 1, 9 POSN, HDP-20, AMPLIMITE™	
FINISH SEE CALL OUT ³	APPD J. ASSINI 9-4-90	SIZE C	FSCM NO 00779
	PRODUCT SPEC -	DRAWING NO 747523	
	APPLICATION SPEC -	SCALE 2:1	SHEET 1 OF 1
	WEIGHT -		