



Chipsmall Limited consists of a professional team with an average of over 10 year of expertise in the distribution of electronic components. Based in Hongkong, we have already established firm and mutual-benefit business relationships with customers from,Europe,America and south Asia,supplying obsolete and hard-to-find components to meet their specific needs.

With the principle of “Quality Parts,Customers Priority,Honest Operation,and Considerate Service”,our business mainly focus on the distribution of electronic components. Line cards we deal with include Microchip,ALPS,ROHM,Xilinx,Pulse,ON,Everlight and Freescale. Main products comprise IC,Modules,Potentiometer,IC Socket,Relay,Connector.Our parts cover such applications as commercial,industrial, and automotives areas.

We are looking forward to setting up business relationship with you and hope to provide you with the best service and solution. Let us make a better world for our industry!



Contact us

Tel: +86-755-8981 8866 Fax: +86-755-8427 6832

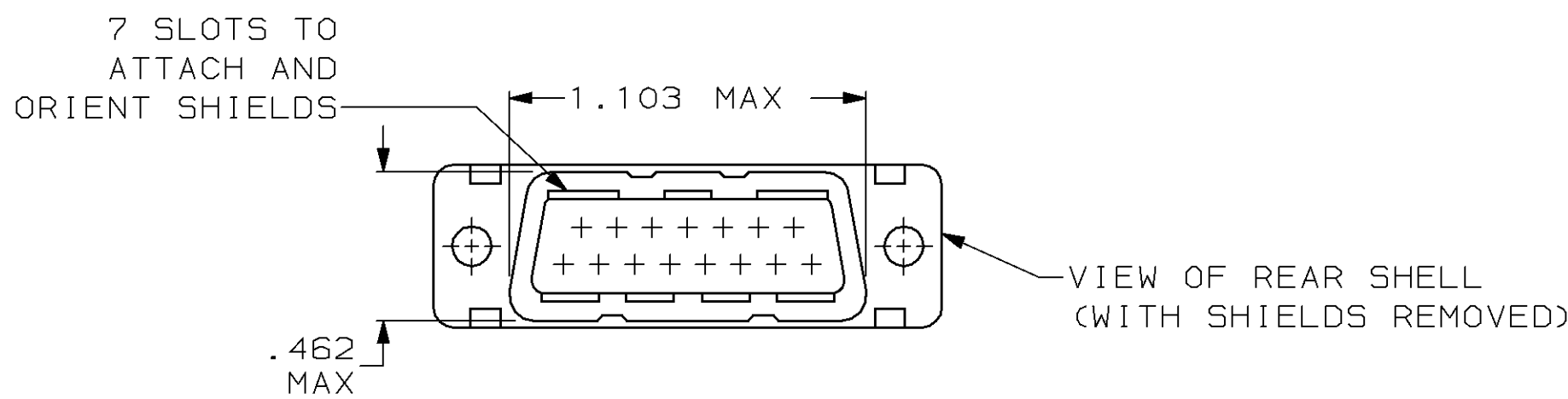
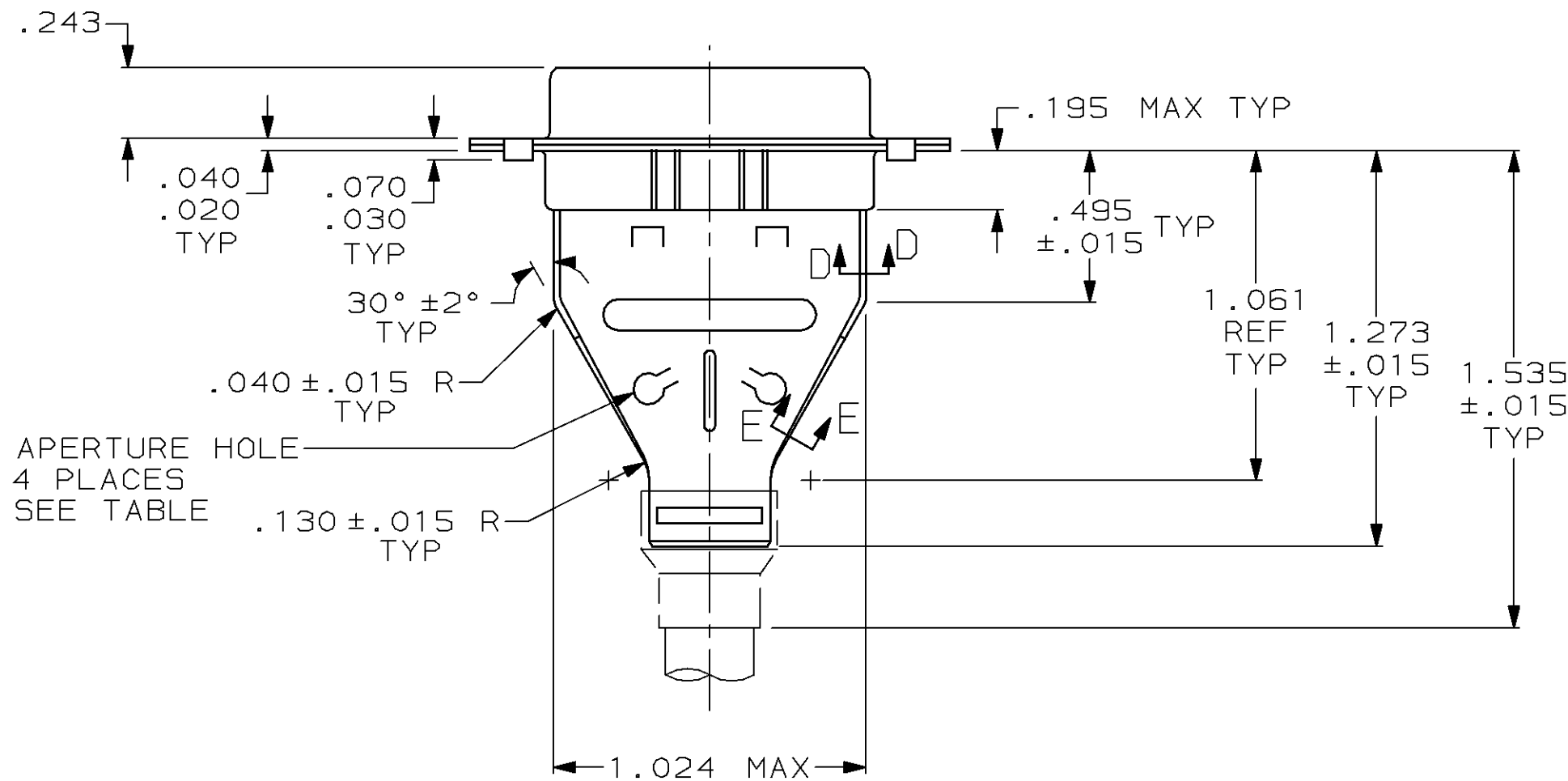
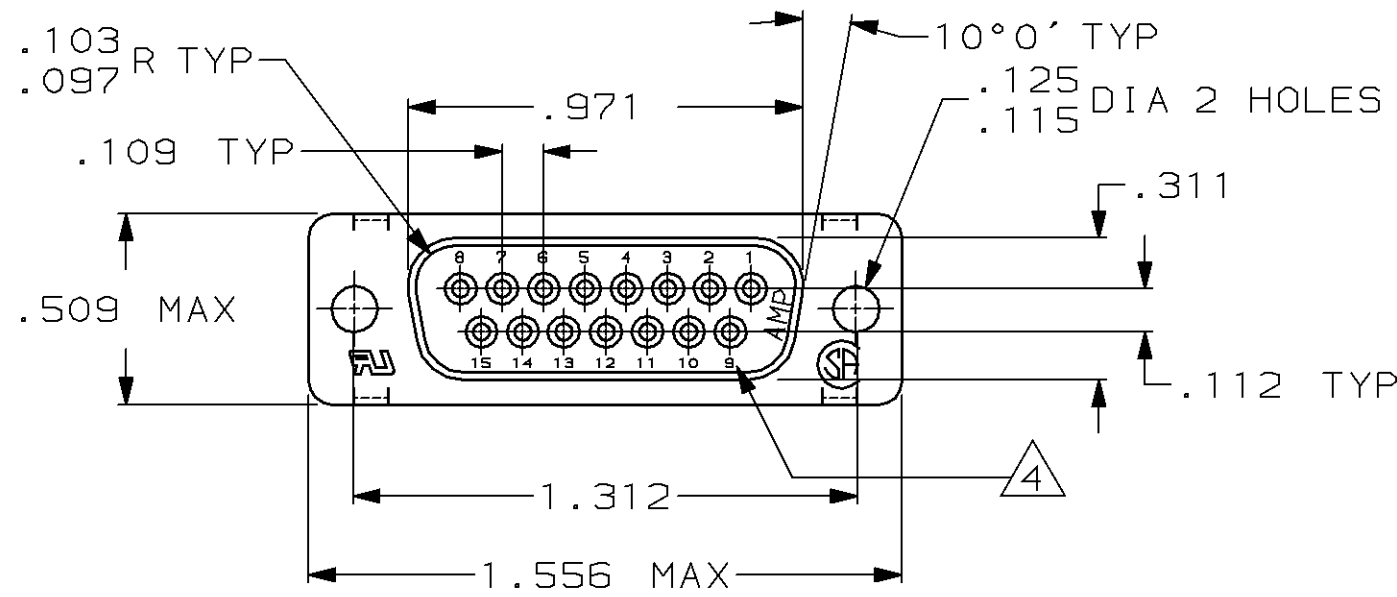
Email & Skype: info@chipsmall.com Web: www.chipsmall.com

Address: A1208, Overseas Decoration Building, #122 Zhenhua RD., Futian, Shenzhen, China

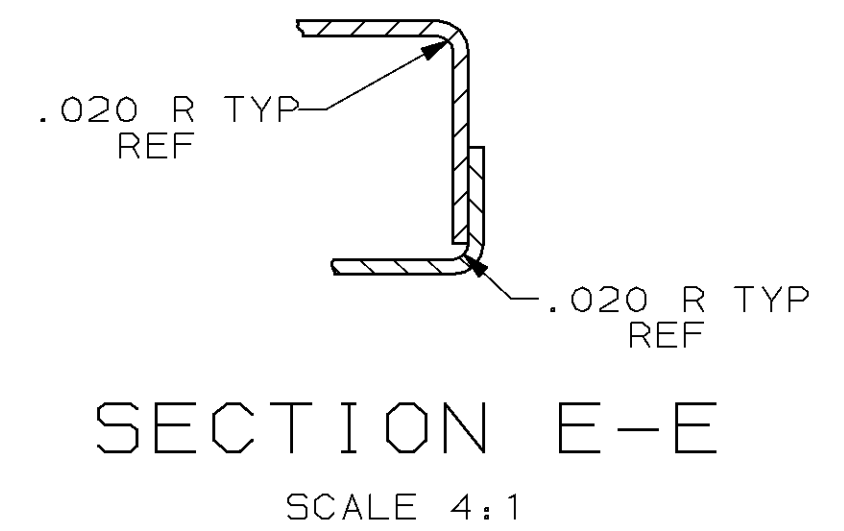
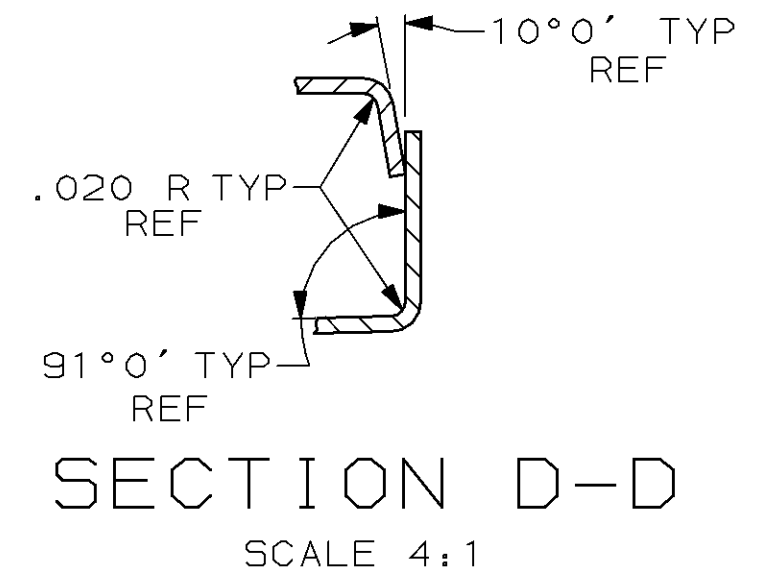
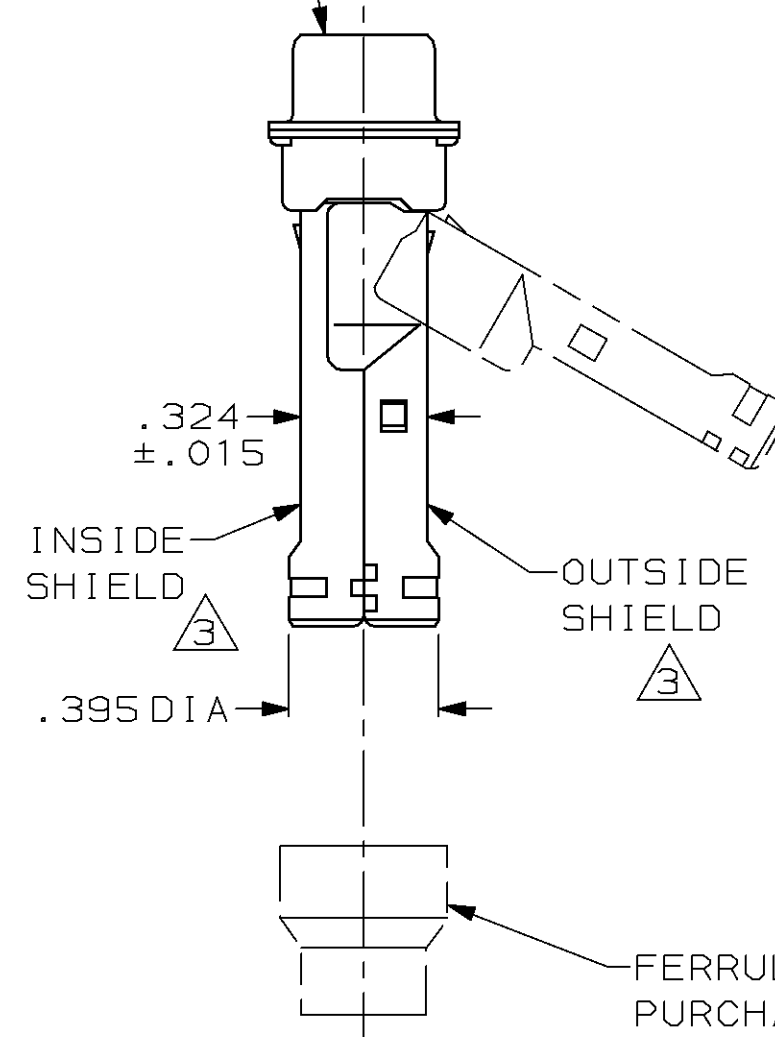


THIS DRAWING IS UNPUBLISHED. RELEASED FOR PUBLICATION
 © COPYRIGHT 19 BY AMP INCORPORATED. ALL INTERNATIONAL RIGHTS RESERVED.

LOC	DIST	P	F	REVISIONS			
				ZONE	LTR	DATE	APPD
BD	48			A	REDRAWN	5-29-90	-
				B	REV PER ECN BD5049	7-2-91	TMS
				C	ADDED-2 NPR3889 WAS 91-5788-4-1	01/02/92	TMS
				D	OBS -2 PER ECN BD5856	01/17/92	TMS
				E	REACTIVATED -2 PER NPR 3975	02/14/92	TMS
				F	OBS -2 PER EC 0020-724-95	11 MAR 96	JCS



RCPT CONNECTOR
 INSERT: BLACK GLASS-FILLED NYLON, 94V-0 RATED.
 SHELL: STEEL PER ASTM A109, BRIGHT TIN PLATED PER MIL-T-10727.



OBSOLETE	WITHOUT	747539-2
	WITH	747539-1
	APERTURE HOLE	PART NUMBER

- 1 RCPT ACCEPTS SIZE 20 PIN CONTACTS (CONTACTS MUST BE ORDERED SEPARATELY).
- 2. ALL PARTS SHIPPED UNASSEMBLED, EACH PART INDIVIDUALLY BULK PACKED.
- 3 SHIELDS: MATERIAL-.020 THICK STEEL, TIN PLATED PER MIL-T-10727.
- 4 RAISED CAVITY IDENTIFICATION AND AMP TRADEMARK.

DO NOT SCALE PRINT. UNLESS SPECIFIED DIMENSIONS IN INCHES TOLERANCES ON : 2 PLC DEC ± - 3 PLC DEC ± .005 ANGLES ± 0°30'	DR 5/29/90 A. STAUB BG CHK J. McCLINTON 8-31-90 APPD B. TAYLOR 9-4-90 APPD J. ASSINI 9-4-90 PRODUCT SPEC -	AMP INCORPORATED Harrisburg, Pa. 17105	
MATERIAL SEE CALL OUT (3)	FINISH SEE CALL OUT (3)	NAME KIT, RCPT, SHIELDING HARDWARE, SIZE 2, 15 POSN, HDP-20, AMPLIMITE™	
APPLICATION SPEC -	WEIGHT -	SIZE C 00779	DRAWING NO 747539
		SCALE 2:1	SHEET 1 OF 1