



Chipsmall Limited consists of a professional team with an average of over 10 year of expertise in the distribution of electronic components. Based in Hongkong, we have already established firm and mutual-benefit business relationships with customers from,Europe,America and south Asia,supplying obsolete and hard-to-find components to meet their specific needs.

With the principle of “Quality Parts,Customers Priority,Honest Operation,and Considerate Service”,our business mainly focus on the distribution of electronic components. Line cards we deal with include Microchip,ALPS,ROHM,Xilinx,Pulse,ON,Everlight and Freescale. Main products comprise IC,Modules,Potentiometer,IC Socket,Relay,Connector.Our parts cover such applications as commercial,industrial, and automotives areas.

We are looking forward to setting up business relationship with you and hope to provide you with the best service and solution. Let us make a better world for our industry!



## Contact us

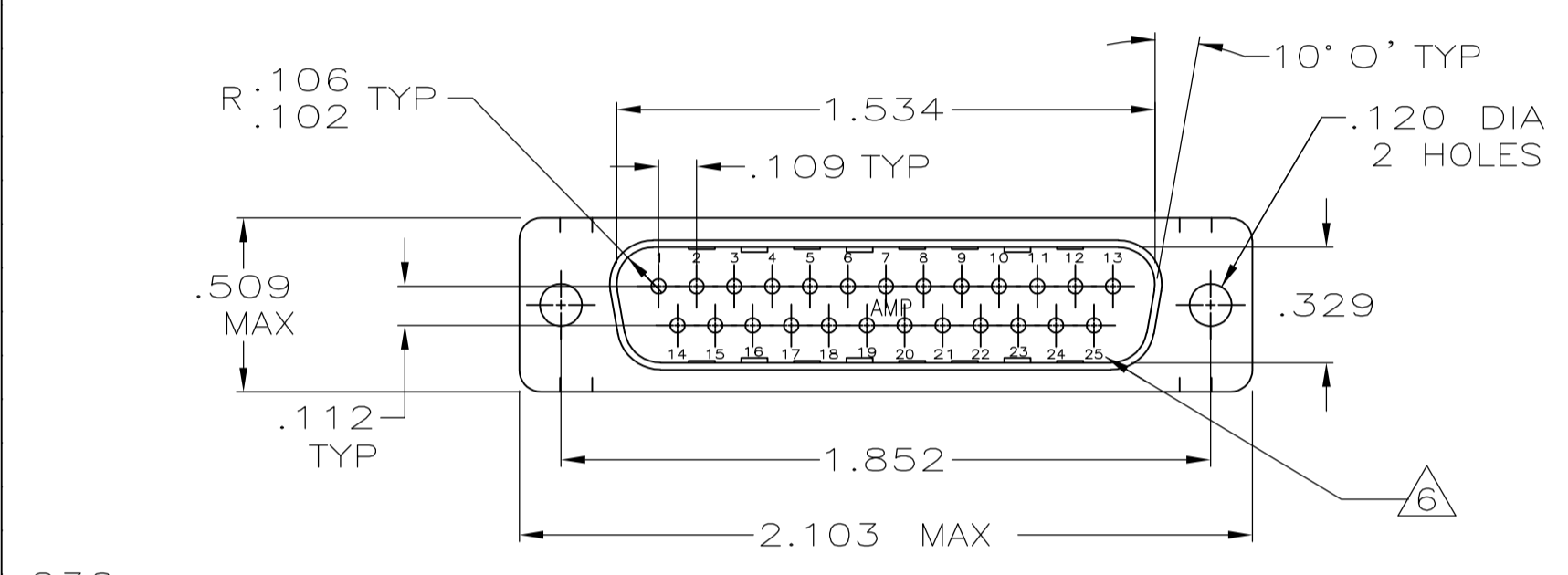
Tel: +86-755-8981 8866 Fax: +86-755-8427 6832

Email & Skype: info@chipsmall.com Web: www.chipsmall.com

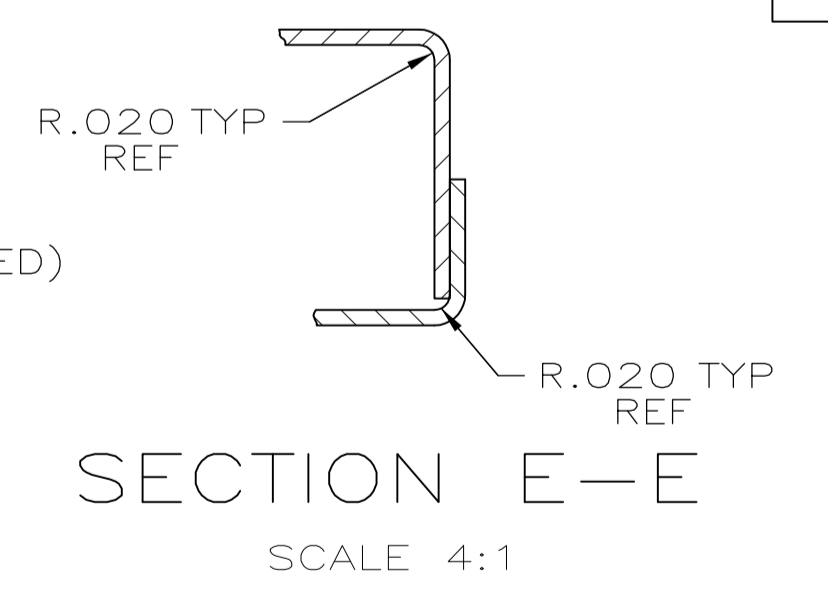
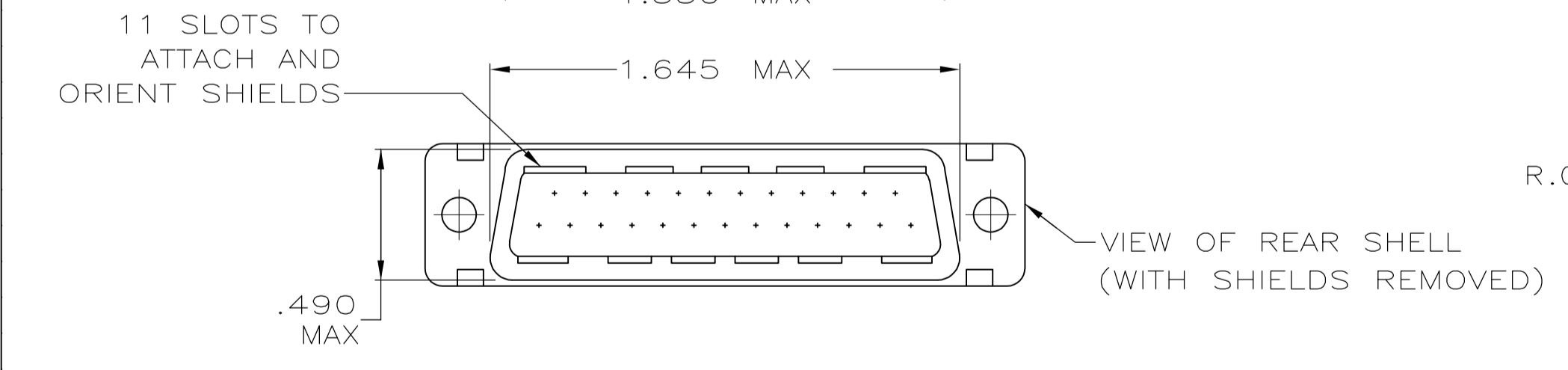
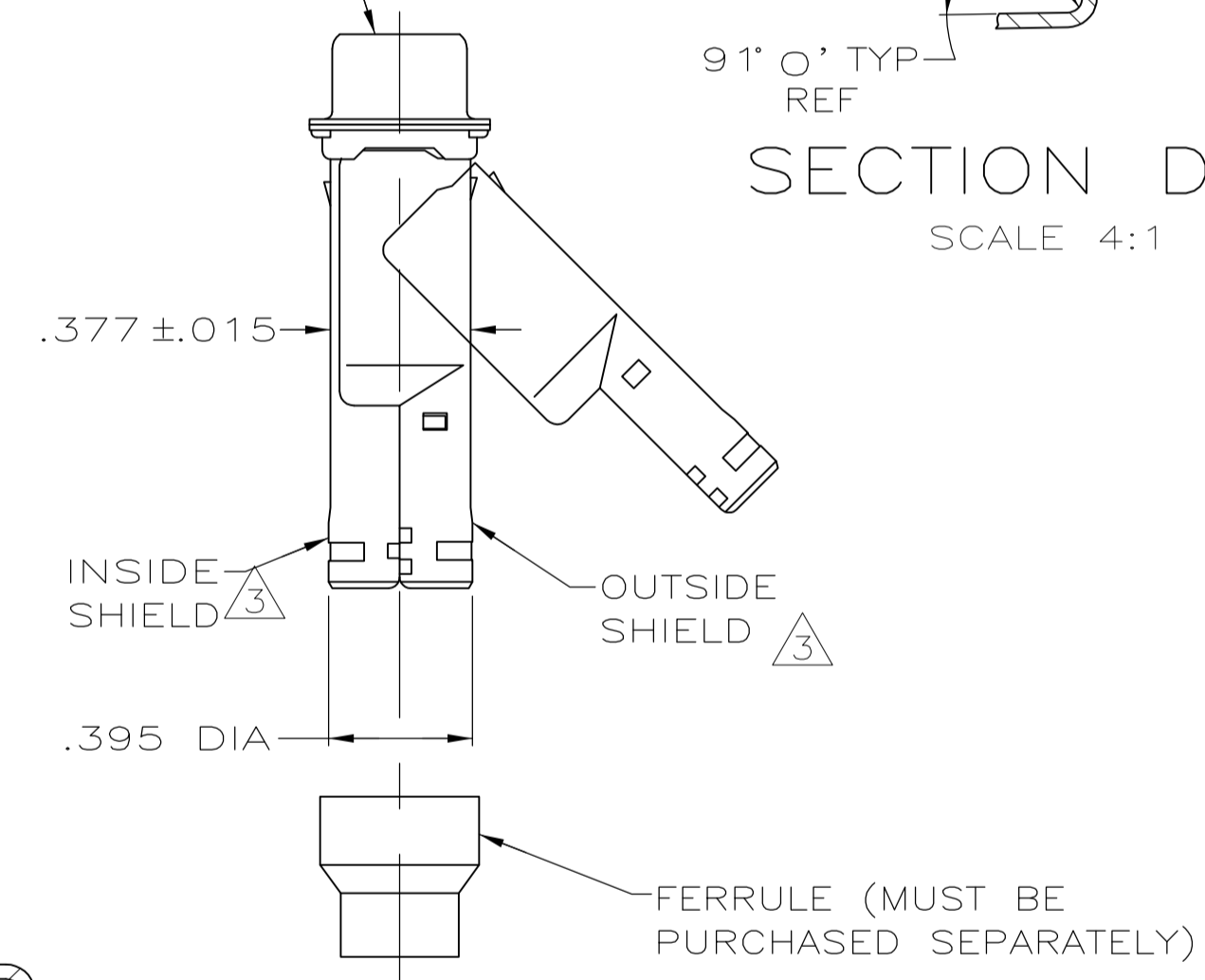
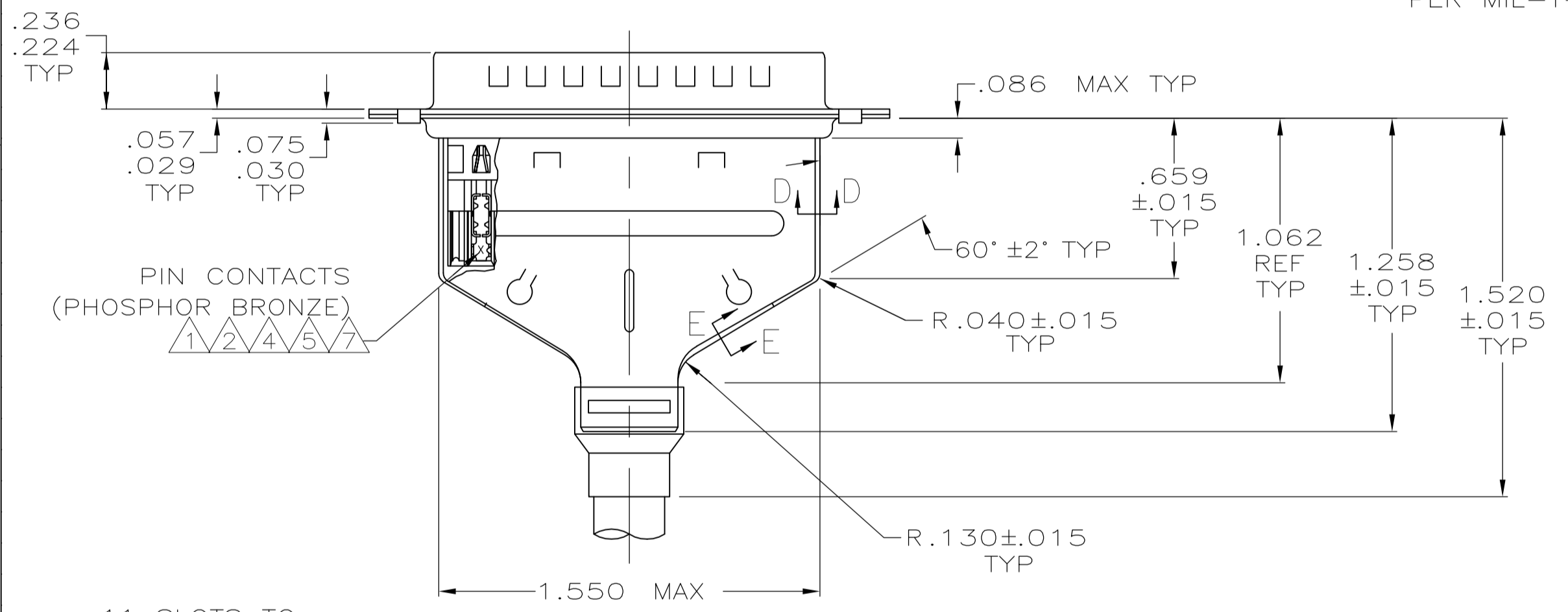
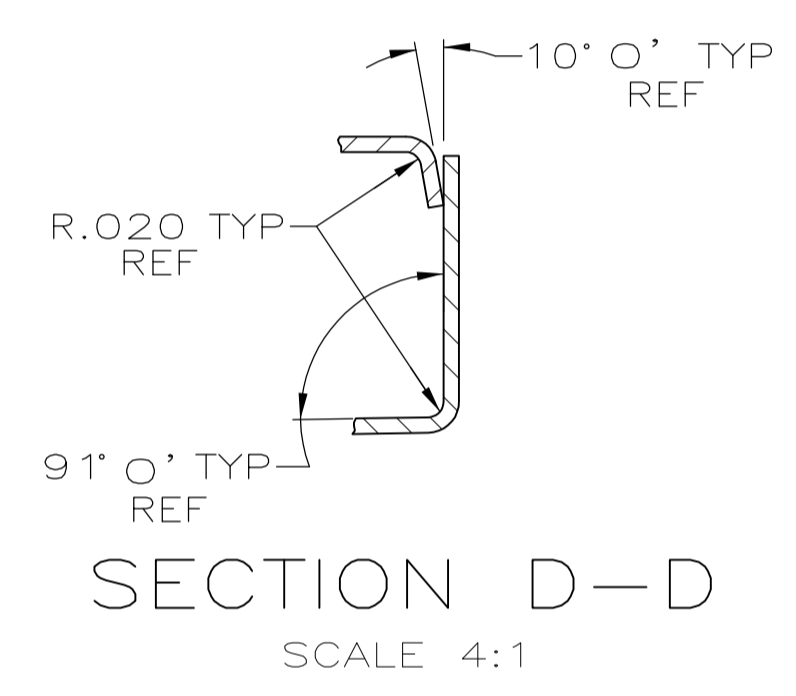
Address: A1208, Overseas Decoration Building, #122 Zhenhua RD., Futian, Shenzhen, China



LOC		DIST		REVISIONS			
GP	00	P	LTR	DESCRIPTION	DATE	DWN	APVD
M1				REVISED PER ECO-11-004835	11MAR11	RK	HMR



PLUG CONNECTOR <sup>1</sup>  
 INSERT: BLACK THERMOPLASTIC,  
 94V-0 RATED.  
 SHELL: STEEL PER ASTM A109,  
 BRIGHT TIN PLATED  
 PER MIL-T-10727.



- <sup>1</sup> PLUG CONNECTOR FULLY LOADED WITH CONTACTS. ALL OTHER PARTS SHIPPED UNASSEMBLED (EACH PART INDIVIDUALLY BULK PACKED).
- <sup>2</sup> NUMBER ON CONTACT INDICATES WIRE RANGE.
- <sup>3</sup> SHIELDS: MATERIAL-.020 THICK STEEL, TIN PLATED.
- <sup>4</sup> CONTACTS PLATED GOLD PLATED FOR LENGTH OF .150 MIN FROM MATING END, .000030 MIN GOLD IN MATED AREA. .000100-.000200 BRIGHT TIN OR BRIGHT IN TIN-LEAD IN WIRE TERMINATION AREA. .000050 NICKEL UNDERPLATE ON ENTIRE CONTACT.
- <sup>5</sup> CONTACTS PLATED GOLD PLATED FOR LENGTH OF .150 MIN FROM MATING END, GOLD FLASH IN MATED AREA. .000100-.000200 BRIGHT TIN OR BRIGHT IN TIN-LEAD IN WIRE TERMINATION AREA. .000030 NICKEL UNDERPLATE ON ENTIRE CONTACT.
- <sup>6</sup> RAISED CAVITY IDENTIFICATION AND AMP TRADEMARK.
- <sup>7</sup> CONTACTS PLATED GOLD PLATED FOR LENGTH OF .150 MIN FROM MATING END, .000050 MIN GOLD IN MATED AREA. .000100-.000200 BRIGHT TIN OR BRIGHT IN TIN-LEAD IN WIRE TERMINATION AREA. .000050 NICKEL UNDERPLATE ON ENTIRE CONTACT.
- <sup>8</sup> CONTACTS GOLD PLATED FOR A LENGTH OF .150 MIN FROM MATING END, .000030 MIN GOLD IN MATED AREA, .000100-.000200 MATTE TIN IN WIRE TERMINATION AREA, ALL OVER .000050MIN NICKEL UNDERPLATE ON ENTIRE CONTACT.  
OR  
CONTACTS GOLD PLATED FOR A LENGTH OF .150 MIN FROM MATING END, GOLD FLASH OVER PALLADIUM-NICKEL, .000030 MIN TOTAL IN MATED AREA, .000100-.000200 MATTE TIN IN WIRE TERMINATION AREA, ALL OVER .000050 MIN NICKEL UNDERPLATE ON ENTIRE CONTACT.
- <sup>9</sup> CONTACTS PLATED GOLD FLASH FOR A LENGTH OF .150 MIN FROM MATING END, .000100-.000200 MATTE TIN IN WIRE TERMINATION AREA, ALL OVER .000030 MIN NICKEL UNDERPLATE ON ENTIRE CONTACT.

	<sup>9</sup>	2	#22-26	1-747547-0
	<sup>8</sup>	2	#22-26	747547-9
	<sup>8</sup>	1	#26-30	747547-8
OBSOLETE	<sup>7</sup>	2	#22-26	747547-7
OBSOLETE		3	#20-22	747547-6
OBSOLETE	<sup>5</sup>	2	#22-26	747547-5
OBSOLETE		1	#26-30	747547-4
OBSOLETE		3	#20-22	747547-3
OBSOLETE	<sup>4</sup>	2	#22-26	747547-2
OBSOLETE		1	#26-30	747547-1
	CONTACT FINISH	<sup>2</sup>	WIRE RANGE	PART NUMBER

THIS DRAWING IS A CONTROLLED DOCUMENT.

DIMENSIONS: INCHES	TOLERANCES UNLESS OTHERWISE SPECIFIED:	DIN	11-16-04	TE Connectivity
0 PLC ± -	1 PLC ± -	L. VARELA - DOCK5	11-16-04	
2 PLC ± -	3 PLC ± .005	J. GERACE	11-16-04	NAME: M. WALMSLEY PRODUCT SPEC: 108-40011 & 108-40030 APPLICATION SPEC: 114-40002
4 PLC ANGLES ± ± 0° 30'				
MATERIAL: SEE CALL OUT <sup>3</sup>	FINISH: SEE CALL OUT	APVD	11-16-04	SIZE: A1 CAGE CODE: 00779 DRAWING NO: 747547 RESTRICTED TO: - WEIGHT: - CUSTOMER DRAWING: -

SCALE: 2:1 SHEET: 1 OF 1 REV: M1