



Chipsmall Limited consists of a professional team with an average of over 10 year of expertise in the distribution of electronic components. Based in Hongkong, we have already established firm and mutual-benefit business relationships with customers from,Europe,America and south Asia,supplying obsolete and hard-to-find components to meet their specific needs.

With the principle of “Quality Parts,Customers Priority,Honest Operation,and Considerate Service”,our business mainly focus on the distribution of electronic components. Line cards we deal with include Microchip,ALPS,ROHM,Xilinx,Pulse,ON,Everlight and Freescale. Main products comprise IC,Modules,Potentiometer,IC Socket,Relay,Connector.Our parts cover such applications as commercial,industrial, and automotives areas.

We are looking forward to setting up business relationship with you and hope to provide you with the best service and solution. Let us make a better world for our industry!



Contact us

Tel: +86-755-8981 8866 Fax: +86-755-8427 6832

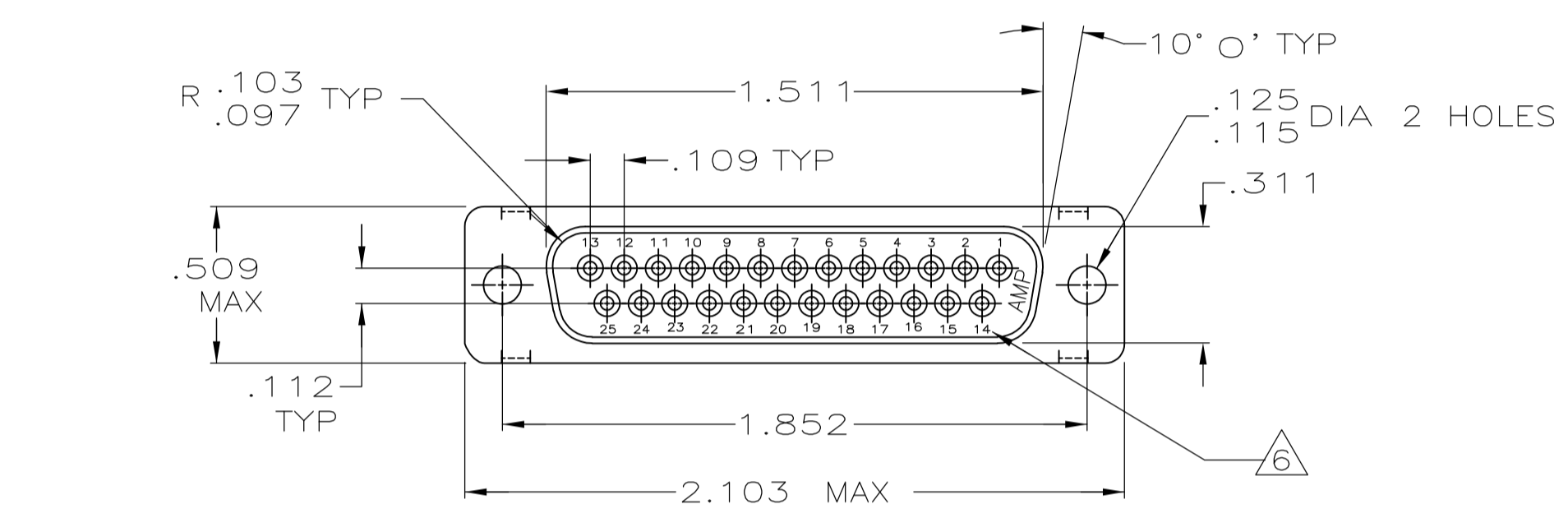
Email & Skype: info@chipsmall.com Web: www.chipsmall.com

Address: A1208, Overseas Decoration Building, #122 Zhenhua RD., Futian, Shenzhen, China

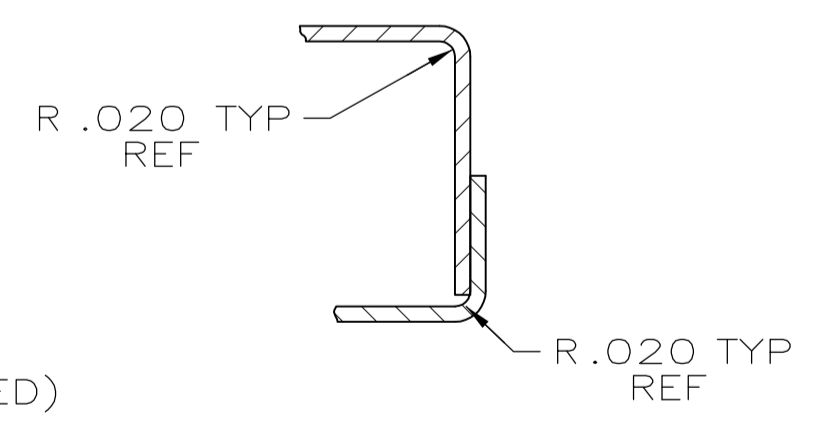
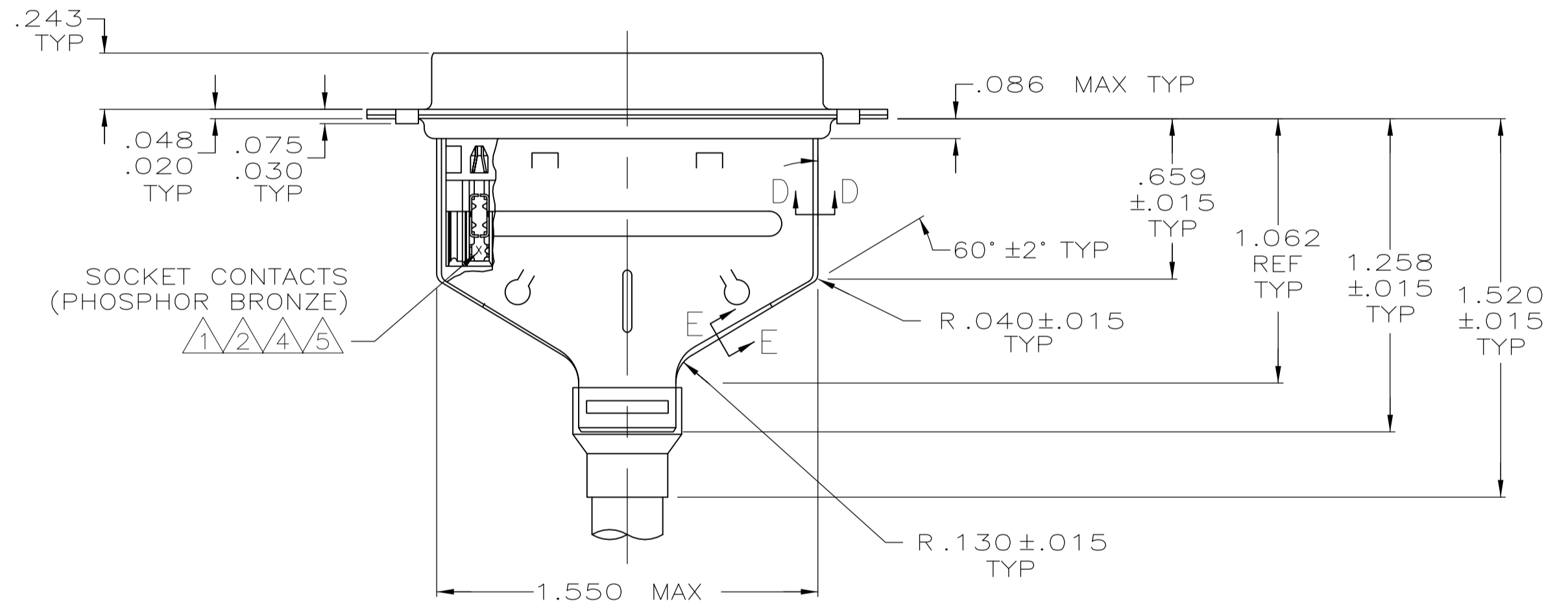
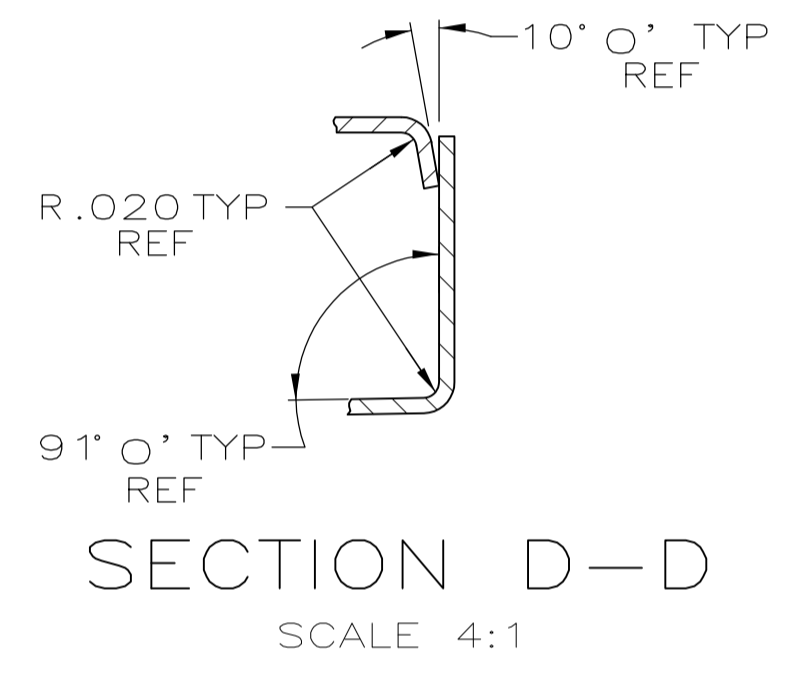


LOC		DIST		REVISIONS			
GP	00	REV	DATE	BY	CHK	APPV	
K3	REVISED PER ECO-11-004835	11MAR11	RK	HMR			

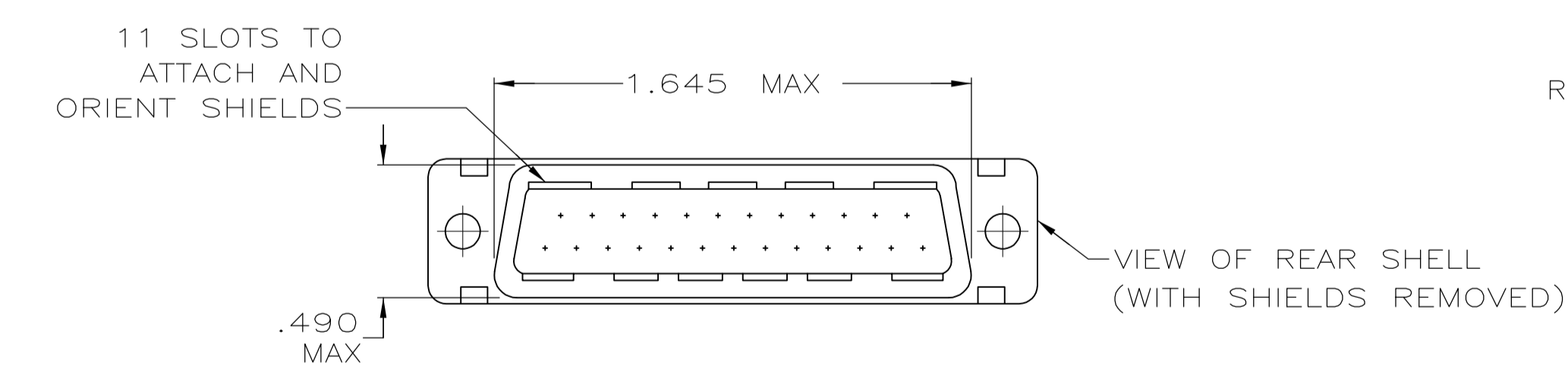
- ① RCPT CONNECTOR FULLY LOADED WITH CONTACTS. ALL OTHER PARTS SHIPPED UNASSEMBLED (EACH PART INDIVIDUALLY BULK PACKED).
- ② NUMBER ON CONTACT INDICATES WIRE RANGE.
- ③ SHIELDS: MATERIAL—.020 THICK STEEL, TIN PLATED.
- ④ CONTACTS PLATED .000030 GOLD ON MATING END FOR .100 MIN LENGTH. .000100—.000200 BRIGHT TIN OR BRIGHT TIN-LEAD IN WIRE TERMINATION AREA. .000050 NICKEL UNDERPLATE ON ENTIRE CONTACT.
- ⑤ CONTACTS PLATED WITH GOLD FLASH ON MATING END FOR .100 MIN LENGTH. .000100—.000200 BRIGHT TIN OR BRIGHT TIN-LEAD IN WIRE TERMINATION AREA. .000030 NICKEL UNDERPLATE ON ENTIRE CONTACT.
- ⑥ RAISED CAVITY IDENTIFICATION AND AMP TRADEMARK.
- ⑦ CONTACTS PLATED .000030 GOLD ON MATING END FOR .100 MIN LENGTH. .000100—.000200 MATTE TIN IN WIRE TERMINATION AREA. .000050 MIN NICKEL UNDERPLATE ON ENTIRE CONTACT.
- ⑧ CONTACTS PLATED WITH GOLD FLASH ON MATING END FOR .100 MIN LENGTH. .000100—.000200 MATTE TIN IN WIRE TERMINATION AREA. .000030 MIN NICKEL UNDERPLATE ON ENTIRE CONTACT.



RCPT CONNECTOR
 INSERT: BLACK THERMOPLASTIC,
 94V-0 RATED.
 SHELL: STEEL PER ASTM A109,
 BRIGHT TIN PLATED
 PER MIL-T-10727.



SECTION E-E
 SCALE 4:1



REV	DESCRIPTION	DATE	BY	CHK	APPV
⑧	3	#22-26	747548-9		
⑦	2	#22-26	747548-8		
⑥	1	#26-30	747548-7		
OBSOLETE	3	#20-22	747548-6		
OBSOLETE	2	#22-26	747548-5		
OBSOLETE	1	#26-30	747548-4		
OBSOLETE	3	#20-22	747548-3		
OBSOLETE	2	#22-26	747548-2		
OBSOLETE	1	#26-30	747548-1		
	CONTACT FINISH	②	WIRE RANGE		PART NUMBER

THIS DRAWING IS A CONTROLLED DOCUMENT.

DIMENSIONS: INCHES	TOLERANCES UNLESS OTHERWISE SPECIFIED:	DIN	11-16-04
0 PLC ± -	1 PLC ± -	L. VARELA - DOCKS	11-16-04
2 PLC ± -	3 PLC ± .005	J. GERACE	
4 PLC ± -	ANGLES ± 0° 30'	M. WALMSLEY	11-16-04
MATERIAL SEE CALL OUTS ③	FINISH SEE TABLE	APVD	NAME
		108-40011 & 108-40030	108-40002
		SIZE	CAGE CODE
		A1	00779
		WEIGHT	747548
		CUSTOMER DRAWING	SCALE 2:1 SHEET 1 OF 1 REV K3

STE TE Connectivity
 KIT, RCPT, SHIELDING HARDWARE, SIZE 3, 25 POSN, HDE-20, AMPLITE