



Chipsmall Limited consists of a professional team with an average of over 10 year of expertise in the distribution of electronic components. Based in Hongkong, we have already established firm and mutual-benefit business relationships with customers from,Europe,America and south Asia,supplying obsolete and hard-to-find components to meet their specific needs.

With the principle of "Quality Parts,Customers Priority,Honest Operation,and Considerate Service",our business mainly focus on the distribution of electronic components. Line cards we deal with include Microchip,ALPS,ROHM,Xilinx,Pulse,ON,Everlight and Freescale. Main products comprise IC,Modules,Potentiometer,IC Socket,Relay,Connector.Our parts cover such applications as commercial,industrial, and automotives areas.

We are looking forward to setting up business relationship with you and hope to provide you with the best service and solution. Let us make a better world for our industry!



Contact us

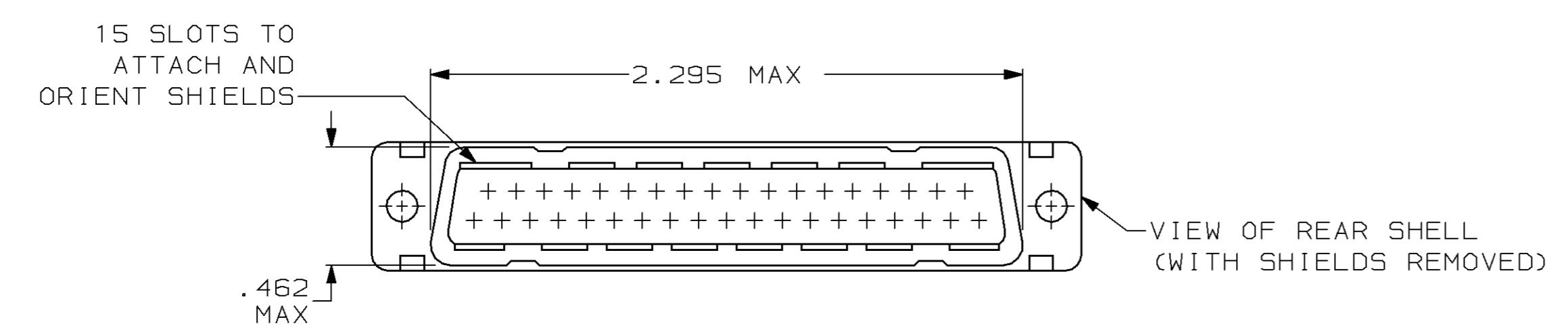
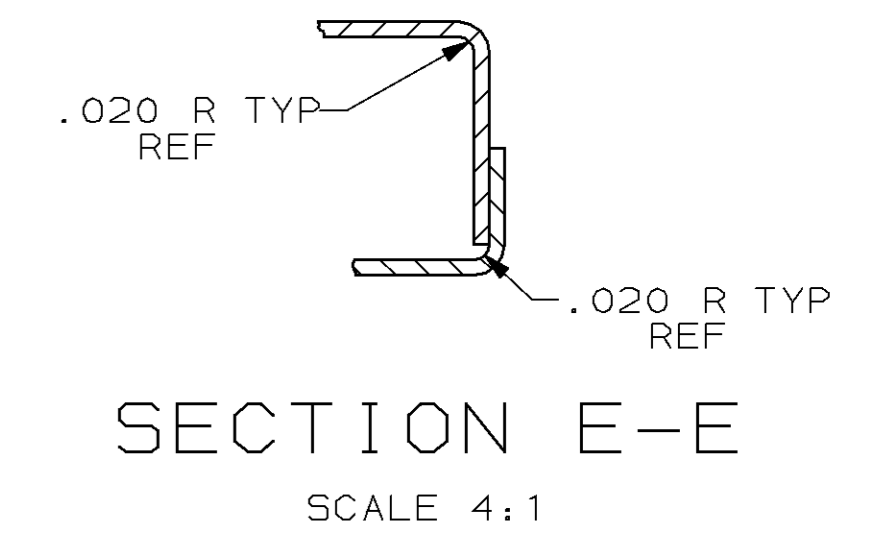
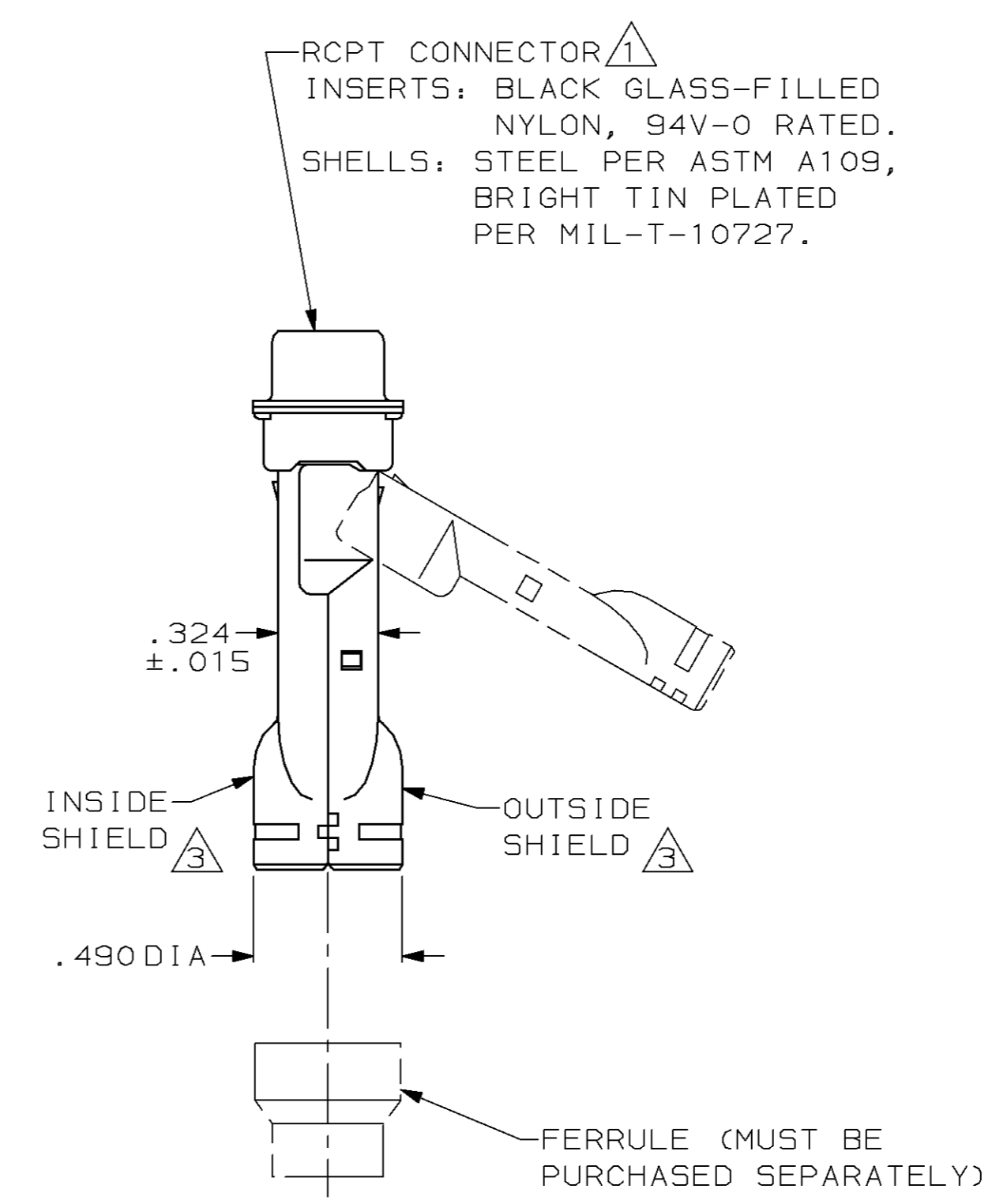
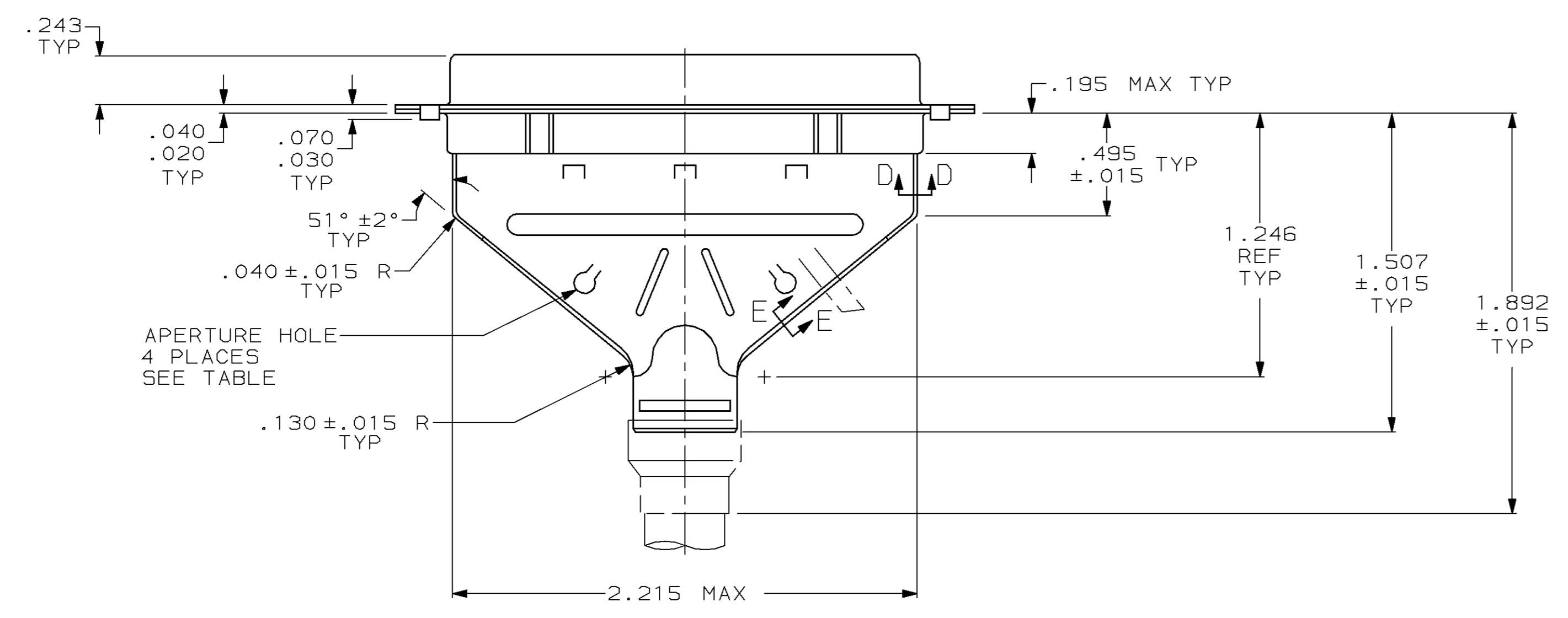
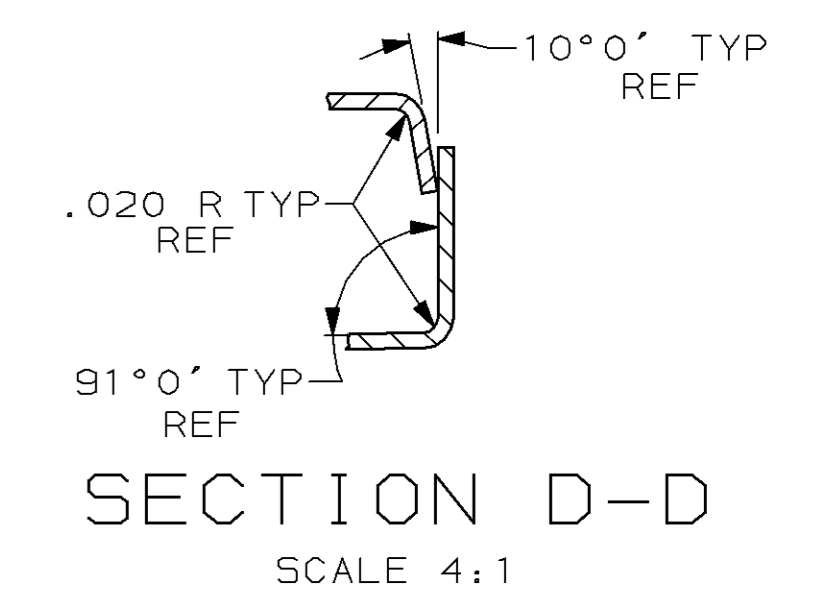
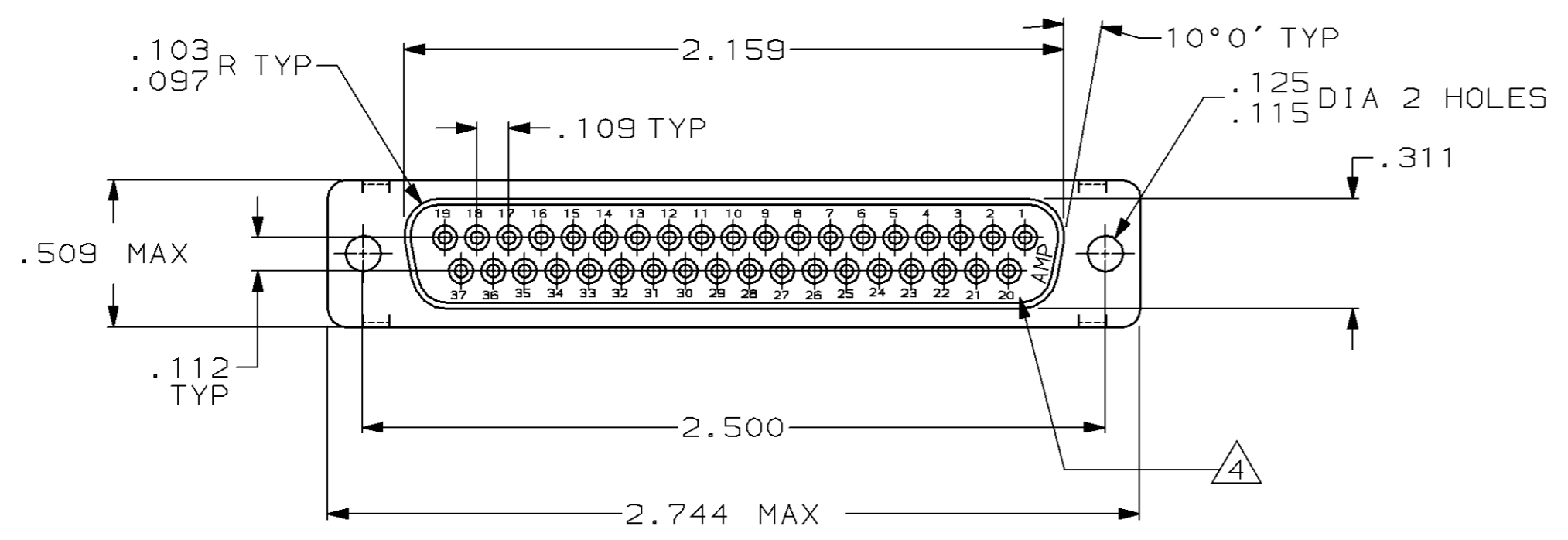
Tel: +86-755-8981 8866 Fax: +86-755-8427 6832

Email & Skype: info@chipsmall.com Web: www.chipsmall.com

Address: A1208, Overseas Decoration Building, #122 Zhenhua RD., Futian, Shenzhen, China



LOC		DIST		P		F		ZONE		LTR		REVISIONS			
BD	48											DESCRIPTION	DATE	APPD	
												A	REDRAWN	6/1/90	-
												B	REV PER ECN BD4493	12/18/90	-
												C	ADDED-2 NPR3889 WAS 91-5788-5-1	01/02/92	TMS
												D	OBS -2 PER ECN BD5856	01/17/92	TMS
												E	REACTIVATED -2 PER NPR 3975	02/14/92	TMS
												F	OBS -2 PER EC 0020-724-95	11 MAR 96	JCS



- △ RCPT ACCEPTS SIZE 20 SOCKET CONTACTS (CONTACTS MUST BE ORDERED SEPARATELY).
- 2. ALL PARTS SHIPPED UNASSEMBLED, EACH PART INDIVIDUALLY BULK PACKED.
- ③ SHIELDS: MATERIAL-.020 THICK STEEL, TIN PLATED PER MIL-T-10727.
- ④ RAISED CAVITY IDENTIFICATION AND AMP TRADEMARK.

OBSOLETE	WITHOUT	747571-2
	WITH	747571-1
APERTURE HOLE		PART NUMBER

DO NOT SCALE PRINT. UNLESS SPECIFIED DIMENSIONS IN MILLIMETERS TOLERANCES ON: 2 PLC DEC ± - 3 PLC DEC ± .005 ANGLES ± 0°30'	DR 6/1/90 A. STAUB BG CHK 8-31-90 J. McCLINTON APPD 9-4-90 BOB TAYLOR APPD 9-4-90 J. ASSINI PRODUCT SPEC - APPLICATION SPEC - WEIGHT -	<p>AMP AMP INCORPORATED Harrisburg, Pa. 17105</p> <p>NAME KIT, RCPT, SHIELDING HARDWARE, SIZE 4, 37 POSN, HDP-20, AMPLIMITE™</p> <p>SIZE D FSCM NO 00779 DRAWING NO 747571 SCALE 2:1 SHEET 1 OF 1</p>
---	--	---