



Chipsmall Limited consists of a professional team with an average of over 10 year of expertise in the distribution of electronic components. Based in Hongkong, we have already established firm and mutual-benefit business relationships with customers from,Europe,America and south Asia,supplying obsolete and hard-to-find components to meet their specific needs.

With the principle of “Quality Parts,Customers Priority,Honest Operation,and Considerate Service”,our business mainly focus on the distribution of electronic components. Line cards we deal with include Microchip,ALPS,ROHM,Xilinx,Pulse,ON,Everlight and Freescale. Main products comprise IC,Modules,Potentiometer,IC Socket,Relay,Connector.Our parts cover such applications as commercial,industrial, and automotives areas.

We are looking forward to setting up business relationship with you and hope to provide you with the best service and solution. Let us make a better world for our industry!



Contact us

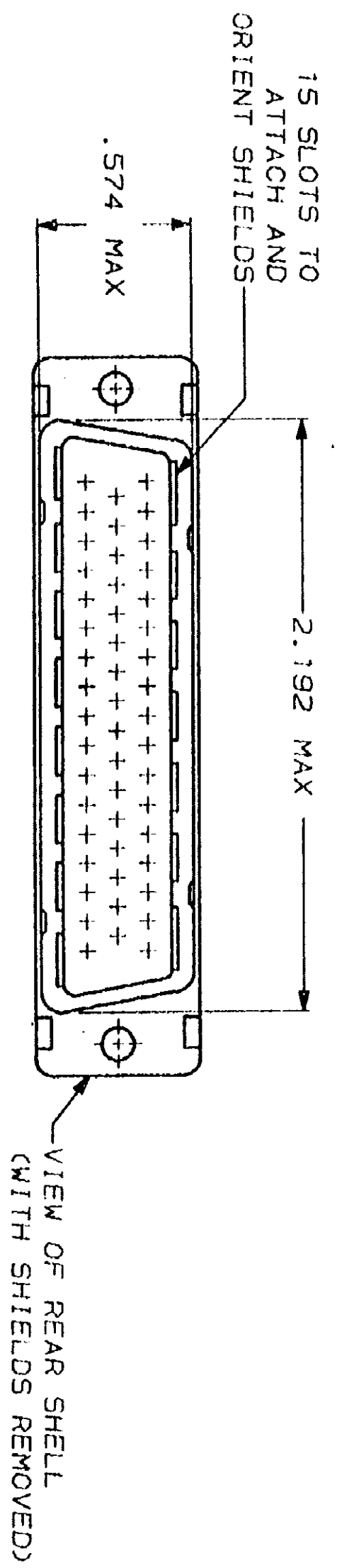
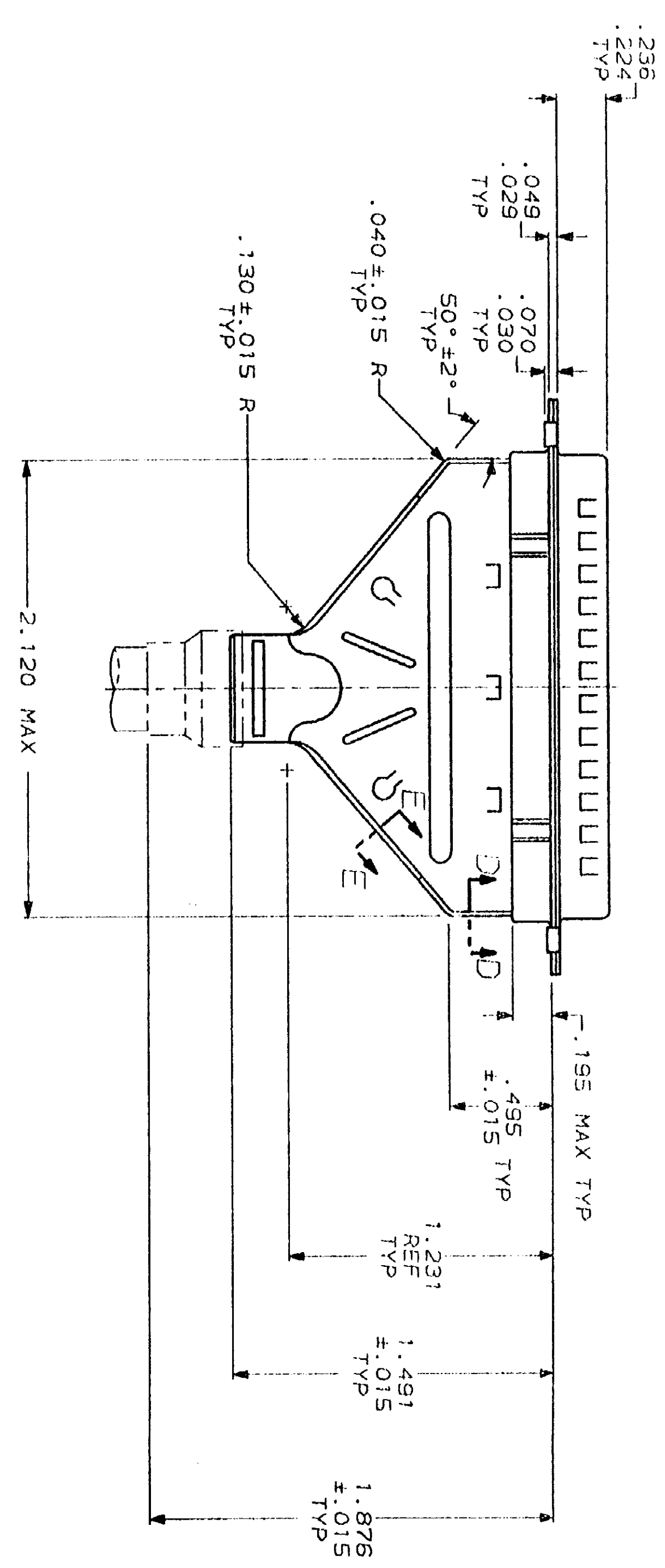
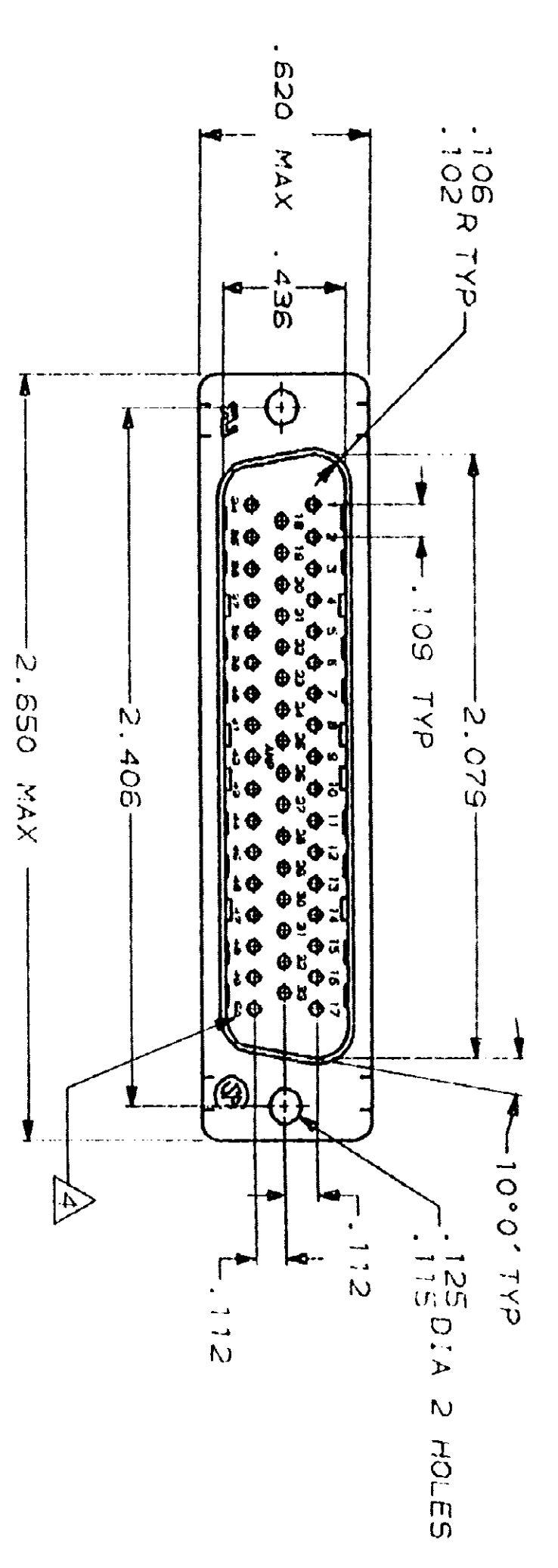
Tel: +86-755-8981 8866 Fax: +86-755-8427 6832

Email & Skype: info@chipsmall.com Web: www.chipsmall.com

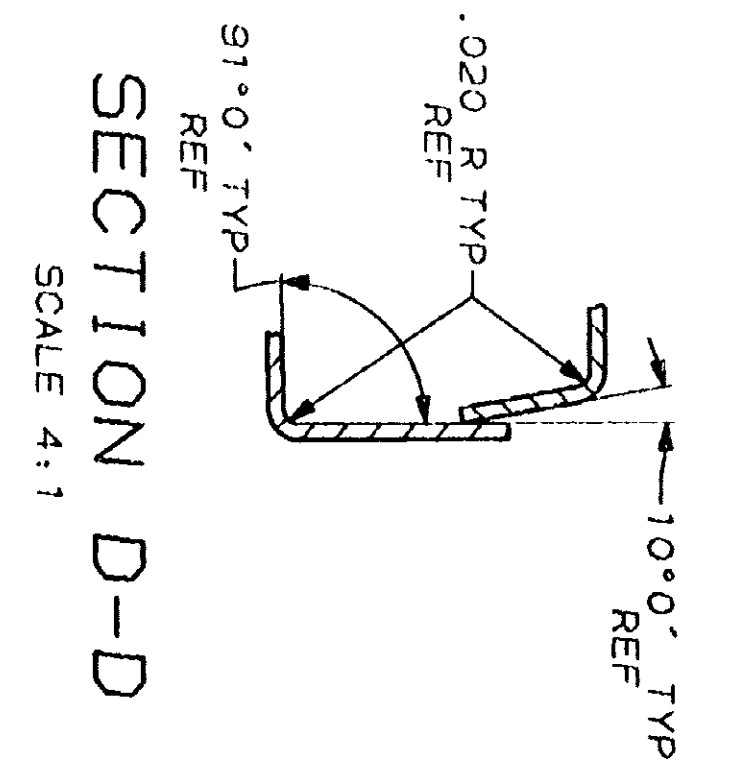
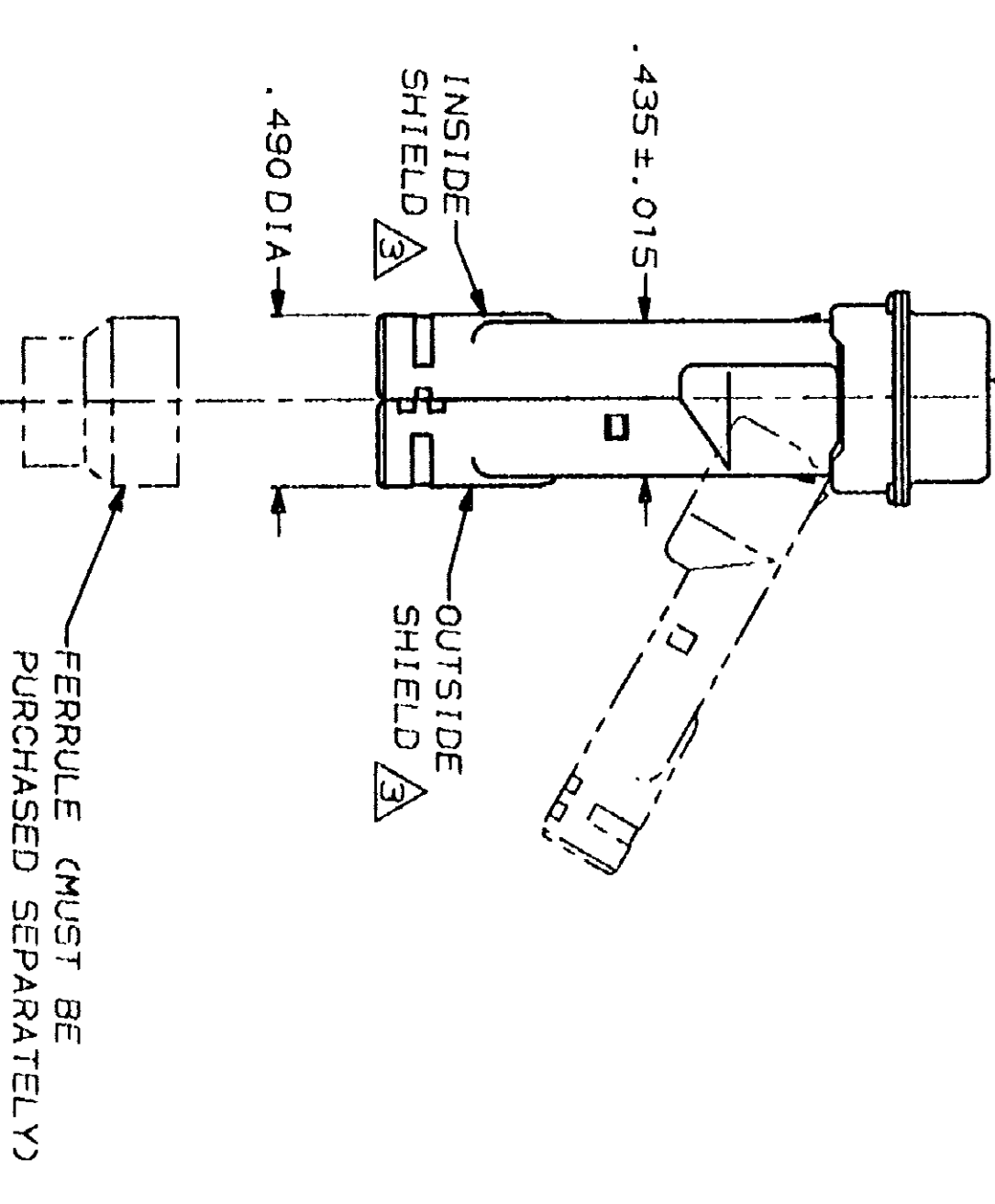
Address: A1208, Overseas Decoration Building, #122 Zhenhua RD., Futian, Shenzhen, China



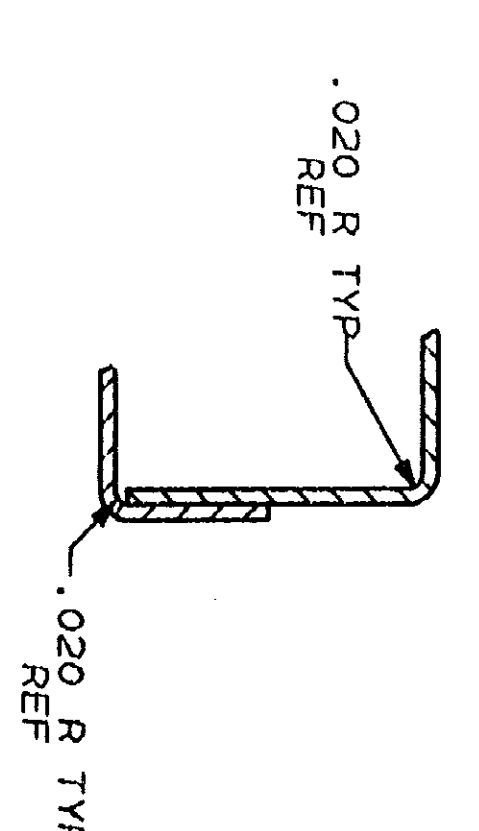
DRAWING MADE IN THIRD ANGLE PROJECTION
 THIS DRAWING IS UNLESS OTHERWISE SPECIFIED BY AMP INCORPORATED. ALL DIMENSIONS ARE IN MILLIMETERS.
 © COPYRIGHT 1982 BY AMP INCORPORATED. ALL RIGHTS RESERVED.



PLUG CONNECTOR
 INSERTS: BLACK GLASS-FILLED NYLON, 94V-0 RATED.
 SHELLS: STEEL PER ASTM A109, BRIGHT TIN PLATED PER MIL-T-10727.



SECTION D-D
 SCALE 4:1



SECTION E-E
 SCALE 4:1

1. PLUG ACCEPTS SIZE 20 PIN CONTACTS (CONTACTS MUST BE ORDERED SEPARATELY).

2. ALL PARTS SHIPPED UNASSEMBLED, EACH PART INDIVIDUALLY BULK PACKED.

3. SHIELDS: MATERIAL-.020 THICK STEEL, TIN PLATED PER MIL-T-10727.

4. RAISED CAVITY IDENTIFICATION AND AMP TRADEMARK.

5. SEE RESTRICTED CUSTOMER DRAWING 747577-2.

REVISED FOR PUBLICATION		DATE	APP'D
2	BD 48	8-1-80	-
A	REDRAWN	08/21/80	TS
B	REV PER EGN 804294		
C	ADDED -2 PER NFR 4215 HAS 92-5788-B	8-8-82	TS

747577-1	PART NUMBER
5	

DR 6-1-80	J GALLUCCI BS	AMP	AMP INCORPORATED
CHK 8-31-80	J MCCLINTON	AMP	AMP INCORPORATED
APPD 9-4-80	908 TAYLOR	AMP	AMP INCORPORATED
APPD 9-4-80	J ASSINI	AMP	AMP INCORPORATED
PRODUCT SPEC		AMP	AMP INCORPORATED
FINISH	SEE CALL OUT	SIZE	FSCM NO
3		D	00779
APPLICATION SPEC		SCALE	2:1
WEIGHT		DRAWING NO	747577
		SHEET	1 OF 1

CUSTOMER DRAWING