



Chipsmall Limited consists of a professional team with an average of over 10 year of expertise in the distribution of electronic components. Based in Hongkong, we have already established firm and mutual-benefit business relationships with customers from,Europe,America and south Asia,supplying obsolete and hard-to-find components to meet their specific needs.

With the principle of “Quality Parts,Customers Priority,Honest Operation,and Considerate Service”,our business mainly focus on the distribution of electronic components. Line cards we deal with include Microchip,ALPS,ROHM,Xilinx,Pulse,ON,Everlight and Freescale. Main products comprise IC,Modules,Potentiometer,IC Socket,Relay,Connector.Our parts cover such applications as commercial,industrial, and automotives areas.

We are looking forward to setting up business relationship with you and hope to provide you with the best service and solution. Let us make a better world for our industry!



## Contact us

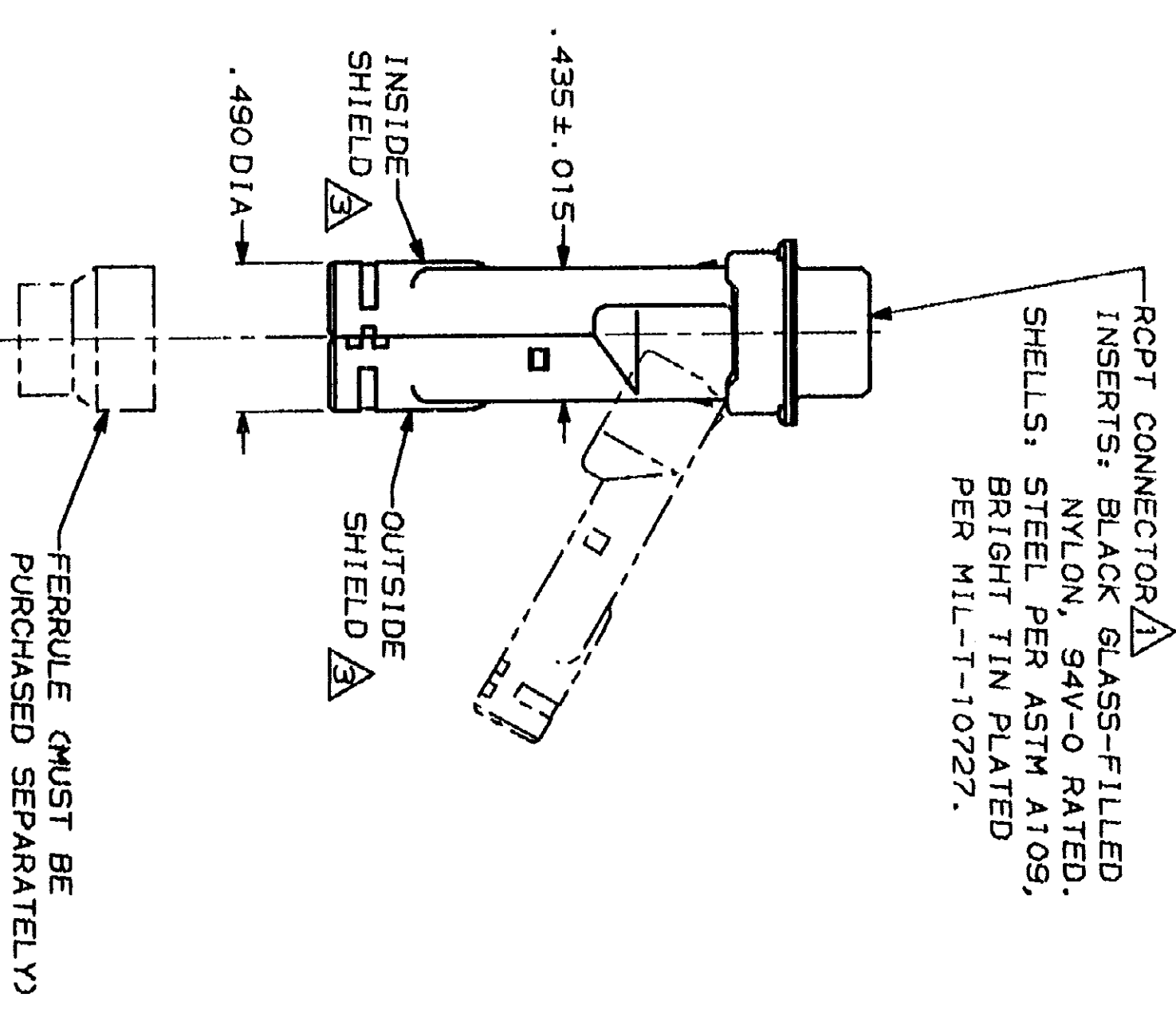
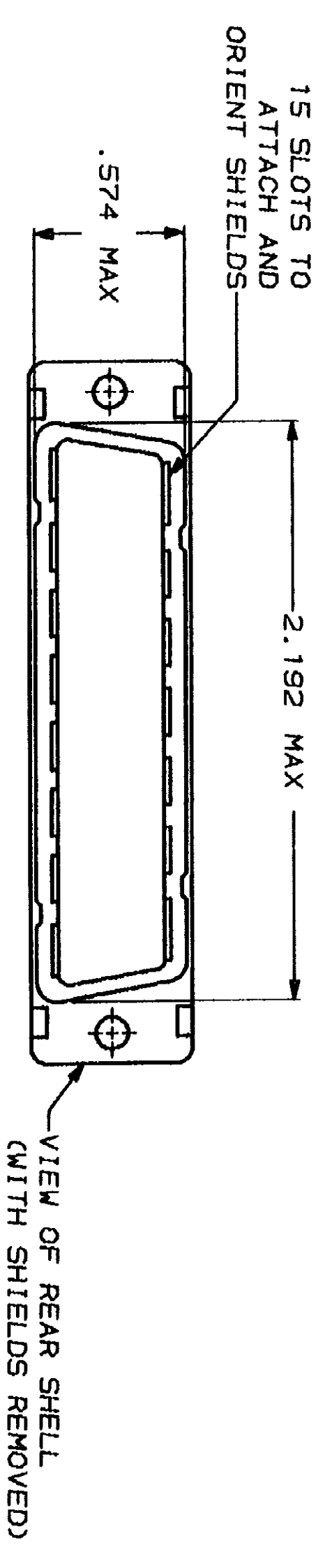
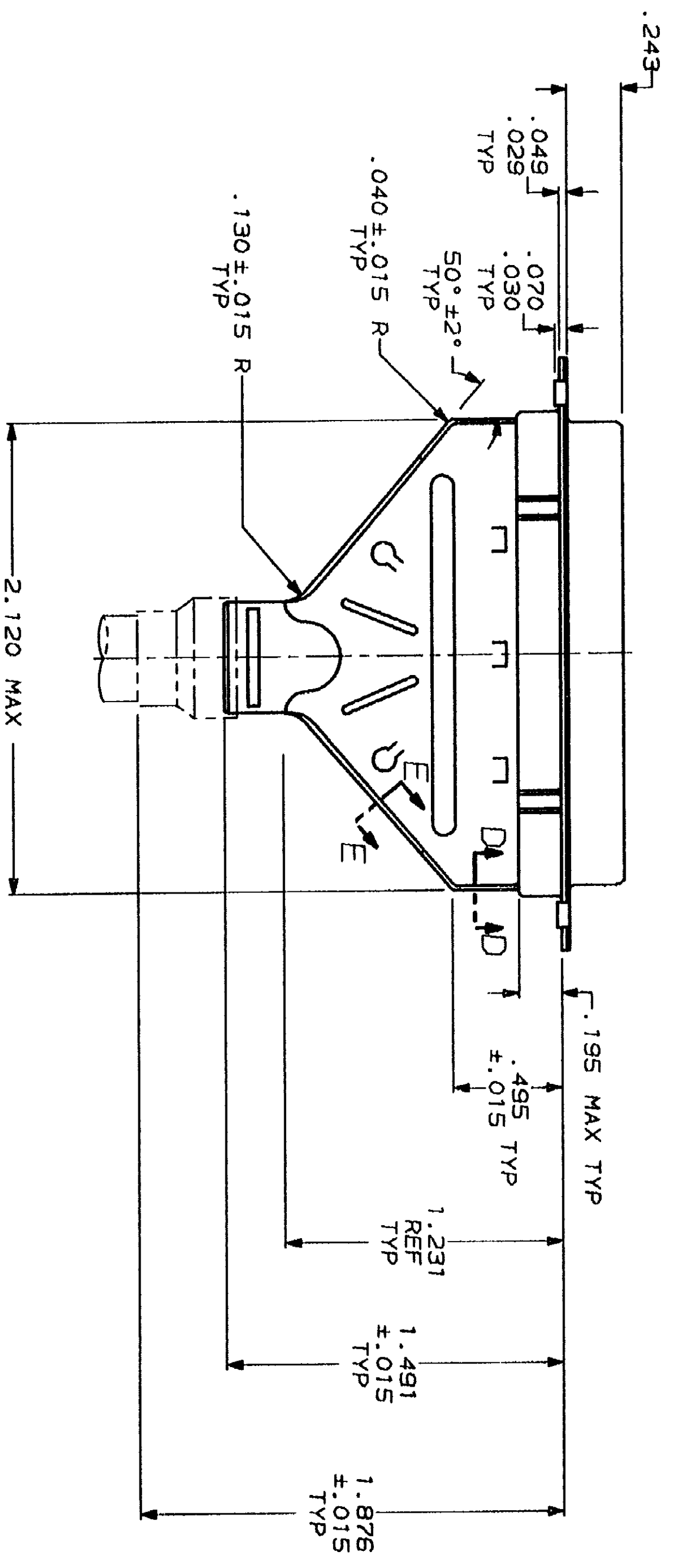
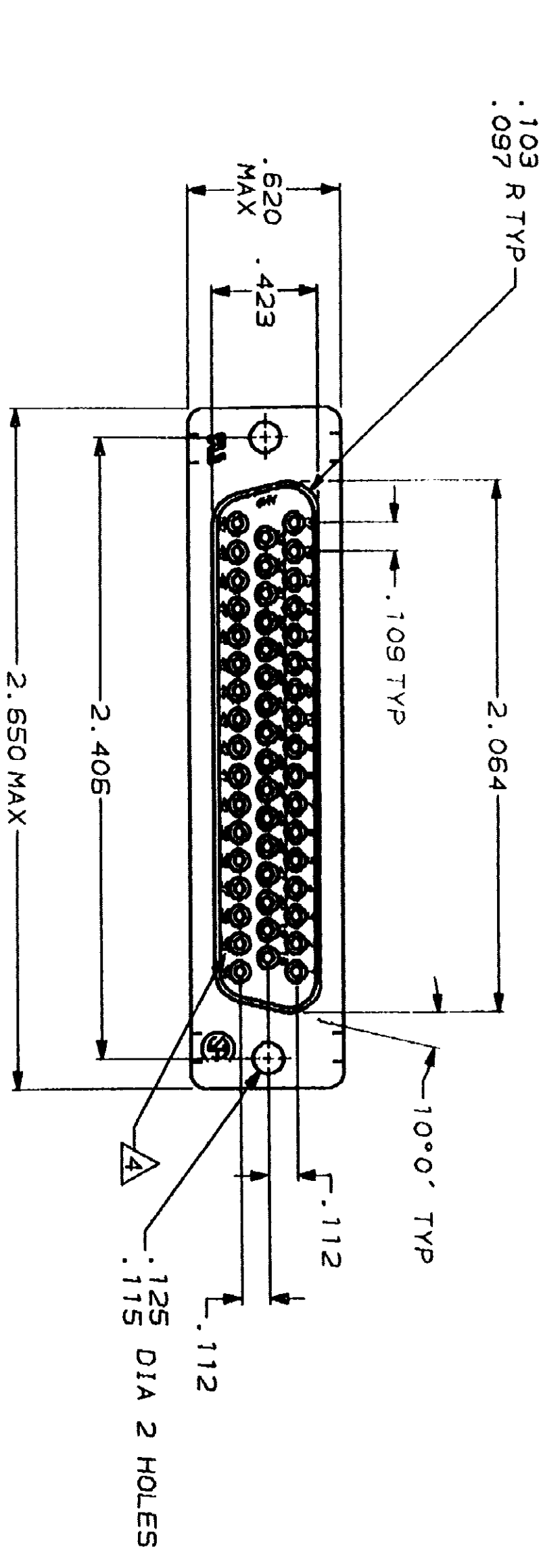
Tel: +86-755-8981 8866 Fax: +86-755-8427 6832

Email & Skype: info@chipsmall.com Web: www.chipsmall.com

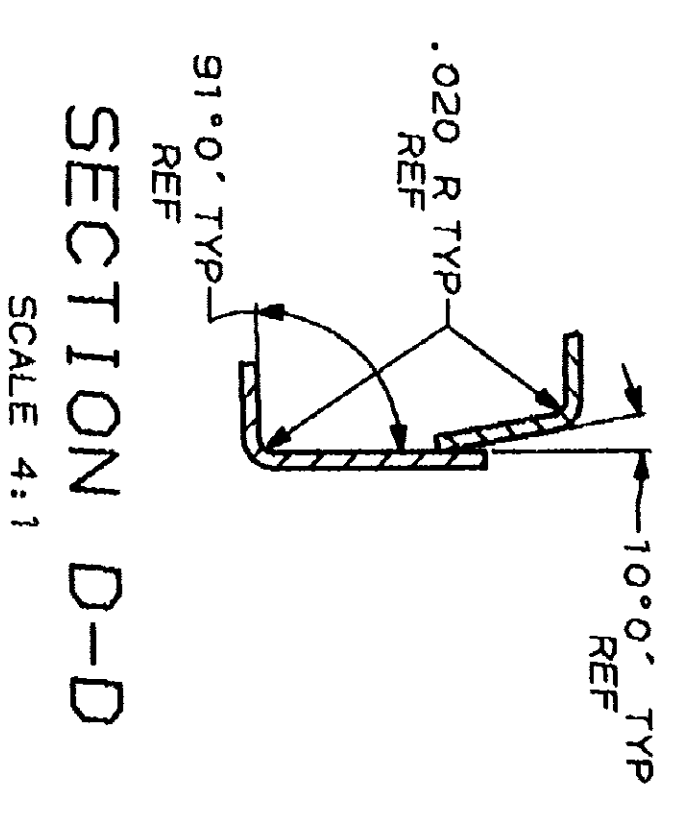
Address: A1208, Overseas Decoration Building, #122 Zhenhua RD., Futian, Shenzhen, China



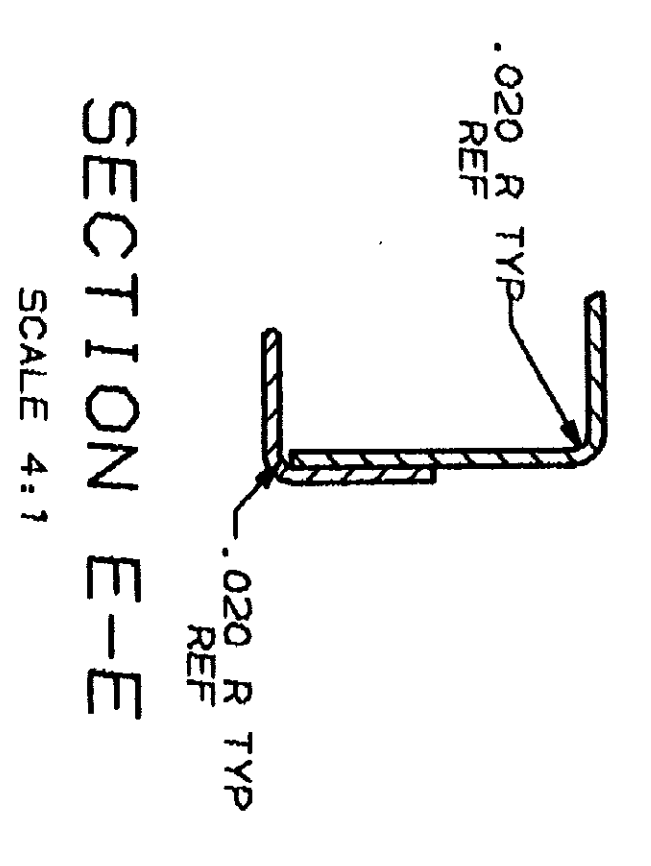
REV	DATE	APP'D	DESCRIPTION
A	5-1-90		REDRAWN
B			REV PER ECN B04493



RCPT CONNECTOR  
 INSERTS: BLACK GLASS-FILLED NYLON, 94V-0 RATED.  
 SHELLS: STEEL PER ASTM A109, BRIGHT TIN PLATED PER MIL-T-10727.



SECTION D-D  
 SCALE 4:1



SECTION E-E  
 SCALE 4:1

1. RCPT ACCEPTS SIZE 20 SOCKET CONTACTS (CONTACTS MUST BE ORDERED SEPARATELY).

2. ALL PARTS SHIPPED UNASSEMBLED, EACH PART INDIVIDUALLY BULK PACKED.

3. SHIELDS: MATERIAL-.020 THICK STEEL, TIN PLATED PER MIL-T-10727.

4. RAISED CAVITY IDENTIFICATION AND AMP TRADEMARK.

DO NOT SCALE PRINT. UNLESS SPECIFIED DIMENSIONS IN MILLIMETERS TOLERANCES ON: 1. ALL DIMS ± .005 2. HOLE DIA ± .005 3. ALL ANGLES ± 0°30'	DR 6/7/90 A. STUBB DS	DATE	747578-1
	CHK 8-31-90 J. HOLLINGTON	DESIGNER	
	APPD 9-4-90 BOB TAYLOR	APP'D	
	APPD 9-4-90 J. ASSINI	PRODUCT SPEC	
FINISH SEE CALL OUT	APPLICATION SPEC	SIZE D	FSC# NO 00779
		SCALE 2:1	DRAWING NO 747578
		WEIGHT	SHEET 1 OF 1

AMP INCORPORATED  
 HARTFORD, CT 06186

AMP  
 KIT, RCPT, SHIELDING HARDWARE,  
 SIZE 5, 50 POSN, HDP-20,  
 AMPLIMIT™