



Chipsmall Limited consists of a professional team with an average of over 10 year of expertise in the distribution of electronic components. Based in Hongkong, we have already established firm and mutual-benefit business relationships with customers from,Europe,America and south Asia,supplying obsolete and hard-to-find components to meet their specific needs.

With the principle of “Quality Parts,Customers Priority,Honest Operation,and Considerate Service”,our business mainly focus on the distribution of electronic components. Line cards we deal with include Microchip,ALPS,ROHM,Xilinx,Pulse,ON,Everlight and Freescale. Main products comprise IC,Modules,Potentiometer,IC Socket,Relay,Connector.Our parts cover such applications as commercial,industrial, and automotives areas.

We are looking forward to setting up business relationship with you and hope to provide you with the best service and solution. Let us make a better world for our industry!



Contact us

Tel: +86-755-8981 8866 Fax: +86-755-8427 6832

Email & Skype: info@chipsmall.com Web: www.chipsmall.com

Address: A1208, Overseas Decoration Building, #122 Zhenhua RD., Futian, Shenzhen, China



THIS DRAWING IS UNPUBLISHED.

RELEASED FOR PUBLICATION

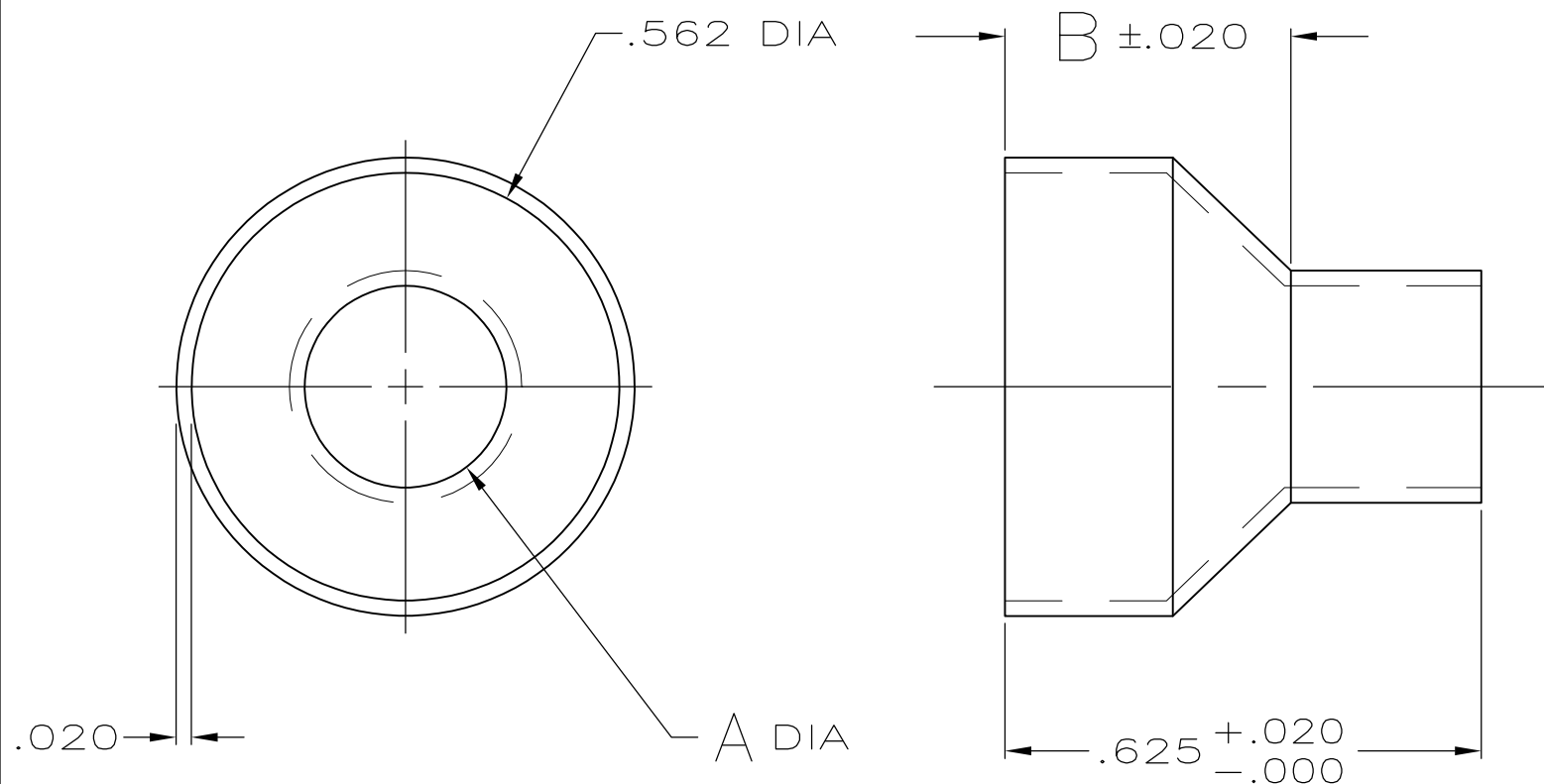
ALL RIGHTS RESERVED.

© COPYRIGHT - By -

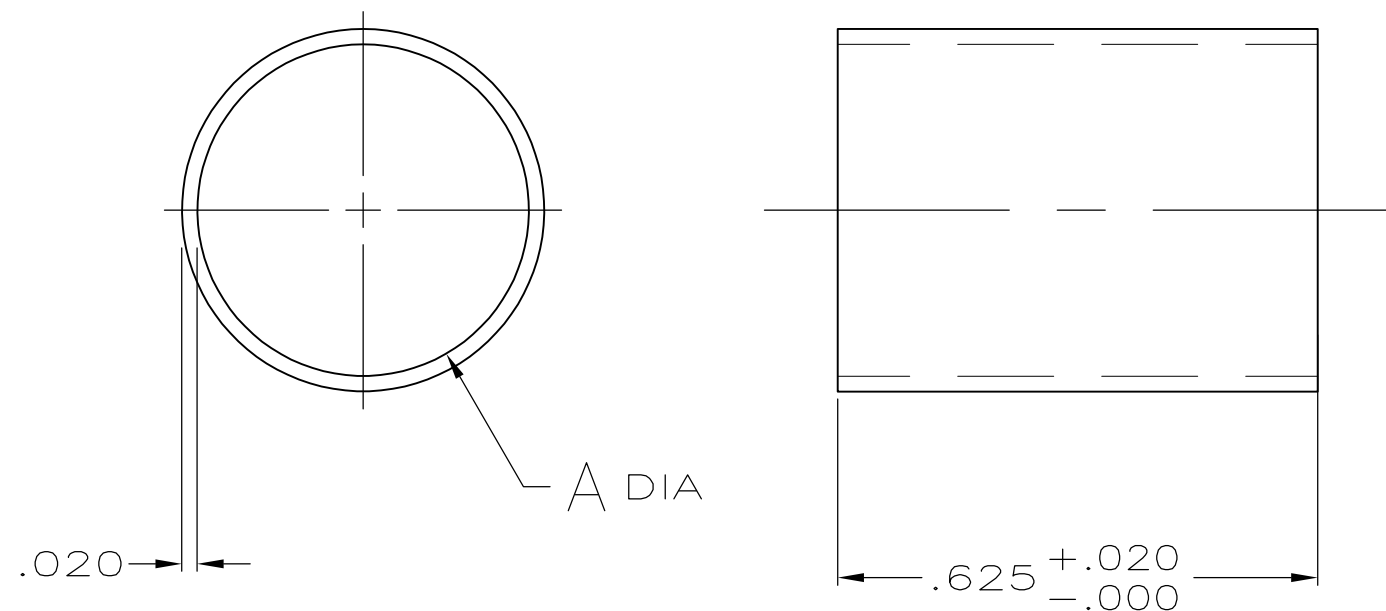
LOC GP DIST 00

REVISIONS

P	LTR	DESCRIPTION	DATE	DWN	APVD
L3		REVISED PER ECO-11-004835	11MAR11	RK	HMR



STYLE I (STEPPED)




STYLE II (STRAIGHT)

	②	I	.422-.490	.375	.490	3-747580-1
	②	I	.230-.265	.375	.265	2-747580-4
	②	I	.338-.385	.375	.385	2-747580-3
	②	I I	.480-.562	-	.562	2-747580-2
	②	I	.375-.432	.375	.432	2-747580-1
OBSOLETE	①	I	.230-.265	.375	.265	1-747580-0
OBSOLETE	①	I	.338-.385	.375	.385	747580-8
OBSOLETE	①	I I	.480-.562	-	.562	747580-6
OBSOLETE	①	I	.422-.490	.375	.490	747580-5
OBSOLETE	①	I	.375-.432	.375	.432	747580-4
	FINISH	STYLE	INSULATION RANGE DIA	B	A	PART NUMBER

① .000100 MIN BRIGHT TIN-LEAD OVER .000100 MIN COPPER.

② .000100 MIN BRIGHT TIN OVER .000100 MIN COPPER.

THIS DRAWING IS A CONTROLLED DOCUMENT.		DWN B. MCMASTER 21MAY04	 TE Connectivity			
DIMENSIONS: INCHES		CHK J. GERACE 21MAY04				
TOLERANCES UNLESS OTHERWISE SPECIFIED:		APVD M. WALMSLEY 21MAY04	NAME			
0 PLC ± - 1 PLC ± - 2 PLC ± - 3 PLC ± .005 4 PLC ± - ANGLES ± -		PRODUCT SPEC -	OUTER FERRULE, SIZE 4 AND 5, AMPLIMITE SHIELDING HARDWARE			
MATERIAL STEEL, ANNEALED		FINISH SEE TABLE	APPLICATION SPEC -	SIZE A3	CAGE CODE 00779	DRAWING NO C-747580
			WEIGHT -	RESTRICTED TO -		
CUSTOMER DRAWING			SCALE 4:1	SHEET 1 OF 1	REV L3	