



Chipsmall Limited consists of a professional team with an average of over 10 year of expertise in the distribution of electronic components. Based in Hongkong, we have already established firm and mutual-benefit business relationships with customers from,Europe,America and south Asia,supplying obsolete and hard-to-find components to meet their specific needs.

With the principle of “Quality Parts,Customers Priority,Honest Operation,and Considerate Service”,our business mainly focus on the distribution of electronic components. Line cards we deal with include Microchip,ALPS,ROHM,Xilinx,Pulse,ON,Everlight and Freescale. Main products comprise IC,Modules,Potentiometer,IC Socket,Relay,Connector.Our parts cover such applications as commercial,industrial, and automotives areas.

We are looking forward to setting up business relationship with you and hope to provide you with the best service and solution. Let us make a better world for our industry!



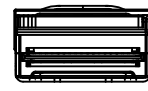
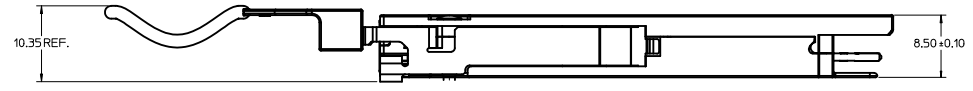
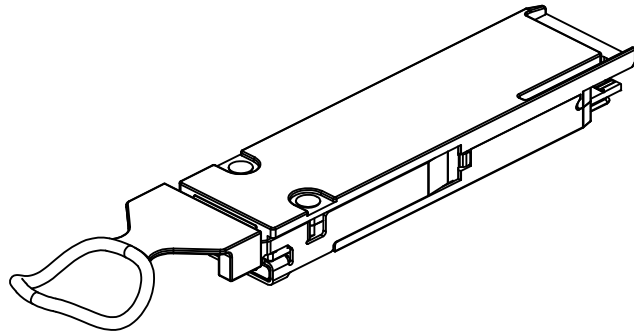
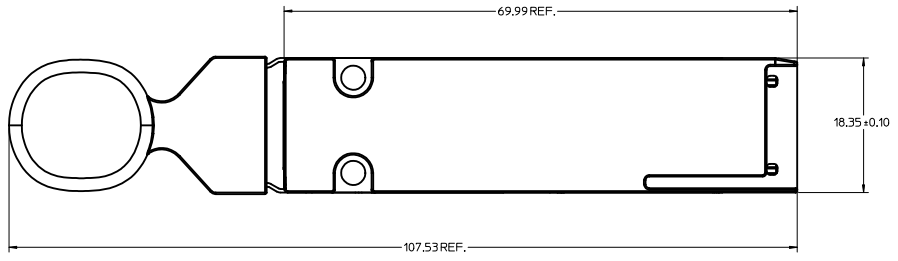
Contact us

Tel: +86-755-8981 8866 Fax: +86-755-8427 6832

Email & Skype: info@chipsmall.com Web: www.chipsmall.com

Address: A1208, Overseas Decoration Building, #122 Zhenhua RD., Futian, Shenzhen, China





1. MATES TO QSFP COMPONENTS WHICH COMPLY TO STANDARD MSA DIMENSION SPECIFICATIONS.
2. BACKSHELLS: ZINC DIE CAST WITH BRIGHT NICKEL PLATING
DELATCH: STAINLESS STEEL WITH OVERMOLDED NYLON
RIVETS: STAINLESS STEEL
4. 100 OHM IMPEDANCE
5. SUPPORTS SERIAL ID FUNCTIONALITY
6. 3.3V SUPPLY
7. HOT PLUGGABLE
8. THIS PRODUCT MEETS THE RESTRICTION OF HAZARDOUS SUBSTANCES IN ELECTRICAL AND ELECTRONIC EQUIPMENT (RoHS) DIRECTIVE (2002/95/EC)

PART NUMBER	LABEL COLOR	PART DESCRIPTION
74763-0010	LIGHT BLUE	QSFP LOOPBACK ADAPTER WITH SERIAL ID, 0dB
74763-0015	LIGHT GREEN	QSFP LOOPBACK ADAPTER WITH SERIAL ID, 5dB
74763-0020	LIGHT BLUE	QSFP UNIVERSAL LOOPBACK ADAPTER WITH SERIAL ID, 0dB, 12C PORT EXPANDER
74763-0025	LIGHT GREEN	QSFP UNIVERSAL LOOPBACK ADAPTER WITH SERIAL ID, 5dB, 12C PORT EXPANDER

ADDED BOSS BKSHL EC NO: USY2012-0377 DRAWN BY: CHYKCHIRSCHY 2008/07/04 CHECKED BY: CHYKCHIRSCHY 2011/10/04 APPROVED BY: APPRKRKHAN 2011/10/16	QUALITY SYMBOLS	GENERAL TOLERANCES (UNLESS SPECIFIED)	DIMENSION STYLE	SCALE	DESIGN UNITS	THIRD ANGLE PROJECTION	
	▼=0 ▽=0	mm INCH 4 PLACES ±--- ±--- 3 PLACES ±--- ±--- 2 PLACES ±--- ±--- 1 PLACE ±--- ±--- ANGULAR ±---°	MM ONLY	1:1	METRIC	DRAWN BY: CHIRSCHY 2007/04/18 CHECKED BY: BRUSSELL 2007/04/18 APPROVED BY: RMAHMOOD 2007/04/18	TITLE: QSFP LOOPBACK ADAPTER MOLEX INCORPORATED DOCUMENT NO. SD-74763-0010
	DRAFT WHERE APPLICABLE MUST REMAIN WITHIN DIMENSIONS	SEE CHART	MATERIAL NO.	SHEET NO.			
		SIZE D	THIS DRAWING CONTAINS INFORMATION THAT IS PROPRIETARY TO MOLEX INCORPORATED AND SHOULD NOT BE USED WITHOUT WRITTEN PERMISSION				

DATE	REV	CHANGES
2008/04/18	A	INITIAL RELEASE
2008/05/19	B	1. UPDATED LABEL COLOR INFO FOR PART NUMBERS 74763-0020 AND -0025 IN CHART ON PAGE 1
2008/07/04	C	1. REMOVED "REF" AND ADDED TOLERANCES TO DIMENSIONS 8.50 AND 18.35
		2. REMOVED BLOCK TOLERANCES FROM TITLE BLOCK
		3. UPDATED LOOPBACK WITH "BOSS" BACKSHELL

ADDED BOSS BKSHL EC NO: USY2012-0377 DRAWN BY: CHYDCHIRSCHY 2011/10/04 CHECKED BY: APPR:RKHAN 2011/10/16	QUALITY SYMBOLS	GENERAL TOLERANCES (UNLESS SPECIFIED)	DIMENSION STYLE	SCALE	DESIGN UNITS	THIRD ANGLE PROJECTION	
	▽=0 ▽=0	mm INCH 4 PLACES #---#--- 3 PLACES #---#--- 2 PLACES #---#--- 1 PLACE #---#--- ANGULAR ±----°	MM ONLY 1:1 METRIC	DRAWN BY: CHIRSCHY 2007/04/18 CHECKED BY: BRUSSELL 2007/04/18 APPROVED BY: RMAHMOOD 2007/04/18	DATE DATE DATE	TITLE: QSFP LOOPBACK ADAPTER	SHEET NO. 2 OF 2
	DRAFT WHERE APPLICABLE MUST REMAIN WITHIN DIMENSIONS	WATER: NO. SEE CHART	MATERIAL NO. SD-74763-0010	DOCUMENT NO. SD-74763-0010	MOLEX INCORPORATED	THIS DRAWING CONTAINS INFORMATION THAT IS PROPRIETARY TO MOLEX INCORPORATED AND SHOULD NOT BE USED WITHOUT WRITTEN PERMISSION	