



Chipsmall Limited consists of a professional team with an average of over 10 year of expertise in the distribution of electronic components. Based in Hongkong, we have already established firm and mutual-benefit business relationships with customers from,Europe,America and south Asia,supplying obsolete and hard-to-find components to meet their specific needs.

With the principle of “Quality Parts,Customers Priority,Honest Operation,and Considerate Service”,our business mainly focus on the distribution of electronic components. Line cards we deal with include Microchip,ALPS,ROHM,Xilinx,Pulse,ON,Everlight and Freescale. Main products comprise IC,Modules,Potentiometer,IC Socket,Relay,Connector.Our parts cover such applications as commercial,industrial, and automotives areas.

We are looking forward to setting up business relationship with you and hope to provide you with the best service and solution. Let us make a better world for our industry!



Contact us

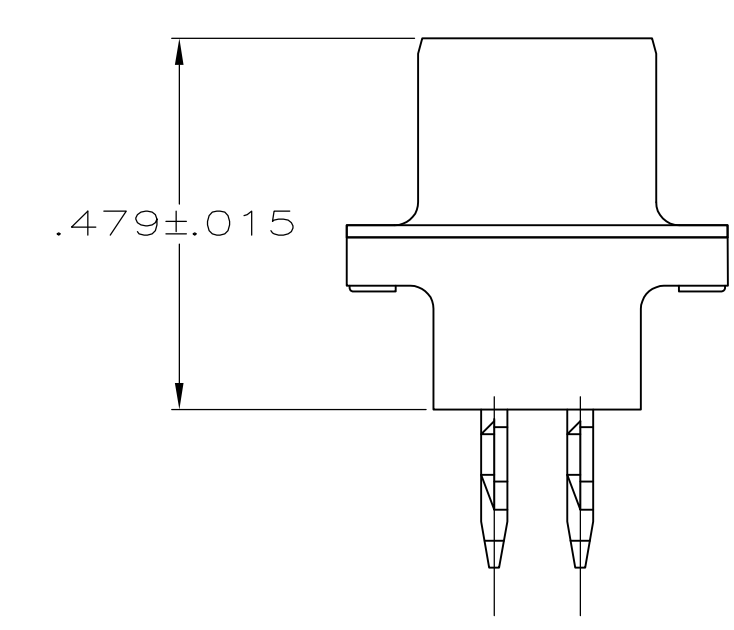
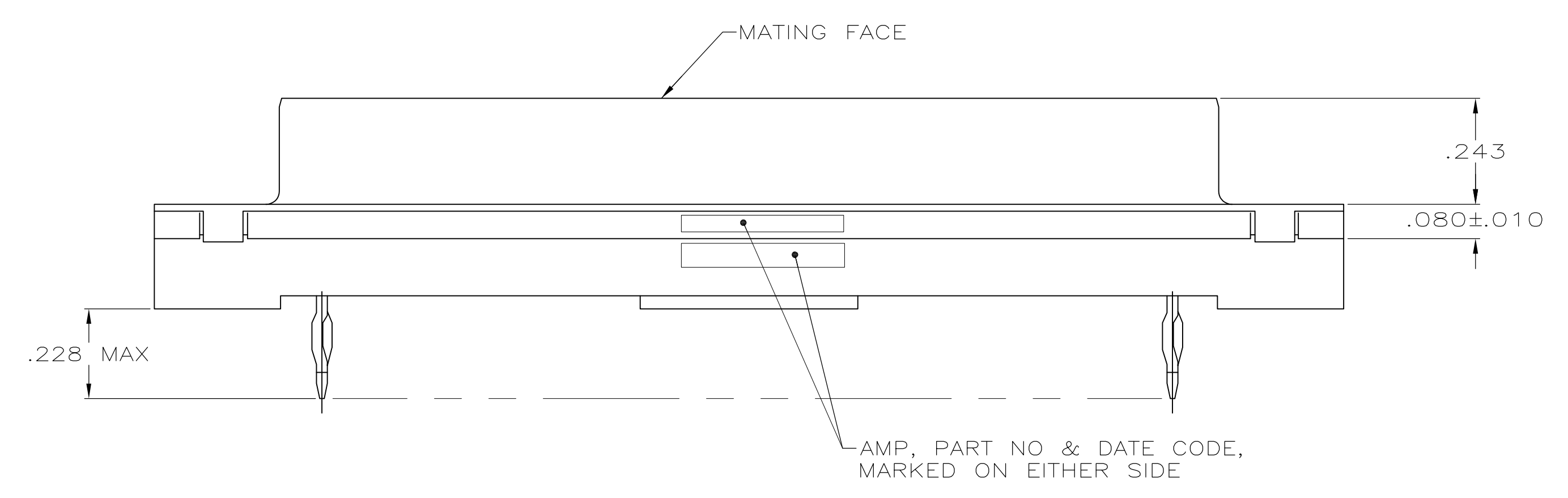
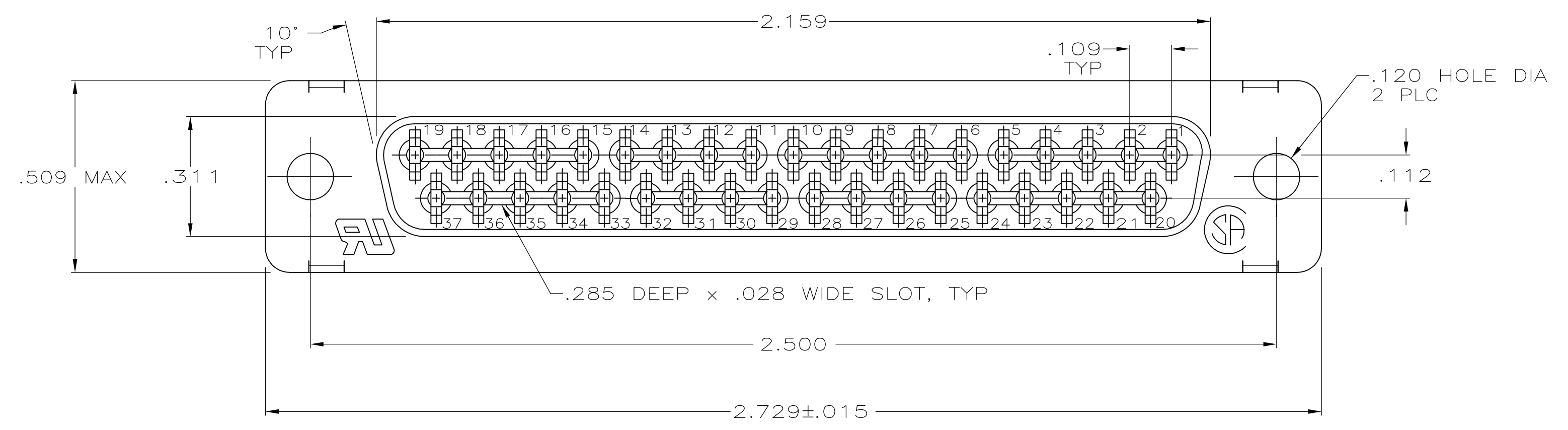
Tel: +86-755-8981 8866 Fax: +86-755-8427 6832

Email & Skype: info@chipsmall.com Web: www.chipsmall.com

Address: A1208, Overseas Decoration Building, #122 Zhenhua RD., Futian, Shenzhen, China



LOC		DIST		REVISIONS			
GP	00	REV	BY	DESCRIPTION	DATE	OWN	APVD
J		REVISED	PER	ECO-12-000090	30JAN2012	CJV	SLB



- 1 FOR USE WITH .093 MINIMUM THICK PRINTED CIRCUIT BOARD. REFER TO APPLICATION SPECIFICATION FOR PRINTED CIRCUIT BOARD LAYOUT DIMENSIONS AND FINISH RECOMMENDATIONS.
- 2 DUPLEX PLATED: GOLD FLASH ON MATING SURFACE, BRIGHT TIN OR BRIGHT TIN LEAD ON COMPLIANT PIN, ALL OVER NICKEL.
- 3 .000030 MINIMUM GOLD IN MATING AREA.
.000100 MINIMUM TIN OR TIN-LEAD ON COMPLIANT PIN.
ALL OVER .000050 MINIMUM NICKEL.

OR
GOLD FLASH OVER PALLADIUM NICKEL.
.000030 MINIMUM TOTAL IN MATING AREA.
.000100 MINIMUM TIN OR TIN-LEAD ON COMPLIANT PIN.
ALL OVER .000050 MINIMUM NICKEL.
- 4 PLATED .0002-.0004 BRIGHT TIN
- 5. NOTE REMOVED.
- 6 FLAME RETARDANT 94V-0 RATED THERMOPLASTIC; COLOR: BLACK.

OBSELETE	3	747713-2
	2	747713-1
		PART NO

THIS DRAWING IS A CONTROLLED DOCUMENT. DIMENSIONING AND TOLERANCING PER ASME Y14.5M-2009		DIN D. HARDY 04-12-94	TE Connectivity	
DIMENSIONS: INCHES		CHK R. STONE 04-26-94	NAME	
TOLERANCES UNLESS OTHERWISE SPECIFIED:		APVD	RCPT ASSY, SIZE 4, 37 POSN, AMPLIMITE™	
0 PLC ± -	1 PLC ± -	PRODUCT SPEC	HDP, MDM PROFILE, W/ ACTION	
2 PLC ± -	3 PLC ± .005	APPLICATION SPEC	PIN CONT & METAL SHELL.	
4 PLC ± -	ANGLES ± ± °	114-40026/1	SIZE	CAGE CODE DRAWING NO
MATERIAL	FINISH	WEIGHT	A1	00779
HOUSING: SHELL: CARBON STEEL CONTACTS: COPPER ALLOY	CONTACTS: SEE TABLE SHELL: Δ	CUSTOMER DRAWING	SCALE	4:1
		SHEET		1 OF 1
		REV		J