



Chipsmall Limited consists of a professional team with an average of over 10 year of expertise in the distribution of electronic components. Based in Hongkong, we have already established firm and mutual-benefit business relationships with customers from,Europe,America and south Asia,supplying obsolete and hard-to-find components to meet their specific needs.

With the principle of "Quality Parts,Customers Priority,Honest Operation,and Considerate Service",our business mainly focus on the distribution of electronic components. Line cards we deal with include Microchip,ALPS,ROHM,Xilinx,Pulse,ON,Everlight and Freescale. Main products comprise IC,Modules,Potentiometer,IC Socket,Relay,Connector.Our parts cover such applications as commercial,industrial, and automotives areas.

We are looking forward to setting up business relationship with you and hope to provide you with the best service and solution. Let us make a better world for our industry!



Contact us

Tel: +86-755-8981 8866 Fax: +86-755-8427 6832

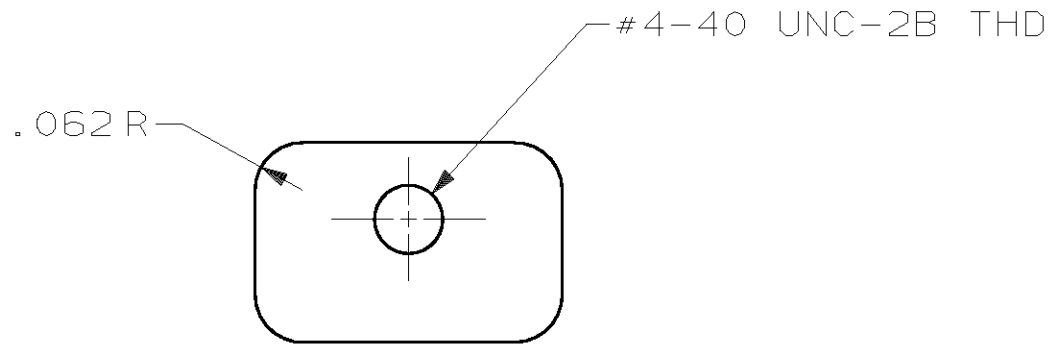
Email & Skype: info@chipsmall.com Web: www.chipsmall.com

Address: A1208, Overseas Decoration Building, #122 Zhenhua RD., Futian, Shenzhen, China

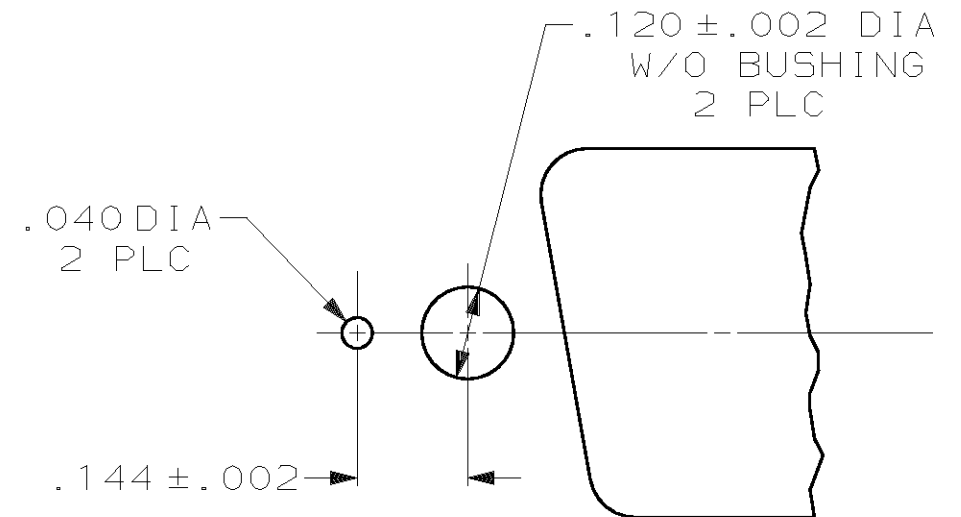
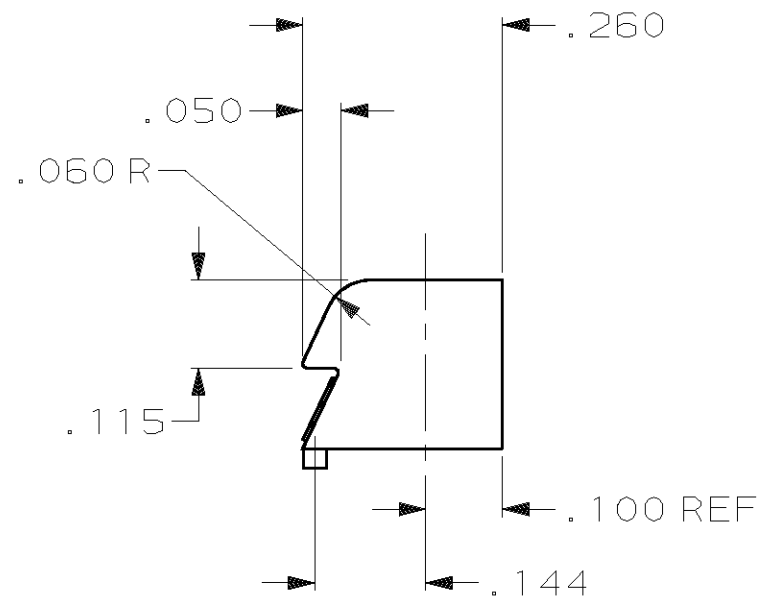
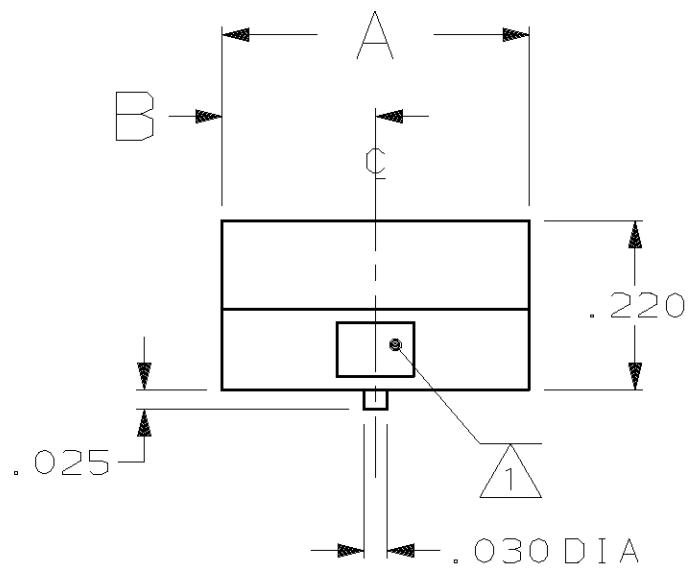


THIS DRAWING IS UNPUBLISHED. RELEASED FOR PUBLICATION, 19
 © COPYRIGHT 19 BY AMP INCORPORATED. ALL INTERNATIONAL RIGHTS RESERVED.

MOD	LOC	DIST	P	F	REVISIONS					
ZONE	LTR	DESCRIPTION	DATE	APPD						
-	GP	00			B	REDRAWN ON CAD	-	-		
					C	REV PER EC 0UE0-0002-01	11 JAN 02	JR		



1 THREAD IDENTIFICATION: 4-40



PANEL CUTOUT DETAIL
 NTS

OBSOLETE	BULK PACKAGE	2	.200	.400	747717-3
	ONE KIT PER BAG	2	.200	.400	747717-2
	PACKAGING	QUANTITY	B	A	PART NUMBER

DO NOT SCALE PRINT. UNLESS SPECIFIED DIMENSIONS IN INCHES TOLERANCES ON: 2 PLC DEC ± - 3 PLC DEC ± .005 ANGLES ± -		DR 4-10-90 J GALLUCCI BG	AMP INCORPORATED Harrisburg, Pa. 17105		
MATERIAL ZINC	FINISH -	CHK - APPD - APPD - PRODUCT SPEC - APPLICATION SPEC - WEIGHT -			
		SIZE B	FSCM NO 00779	DRAWING NO 747717	
		SCALE 4:1	SHEET 1 OF 1		