



Chipsmall Limited consists of a professional team with an average of over 10 year of expertise in the distribution of electronic components. Based in Hongkong, we have already established firm and mutual-benefit business relationships with customers from,Europe,America and south Asia,supplying obsolete and hard-to-find components to meet their specific needs.

With the principle of “Quality Parts,Customers Priority,Honest Operation,and Considerate Service”,our business mainly focus on the distribution of electronic components. Line cards we deal with include Microchip,ALPS,ROHM,Xilinx,Pulse,ON,Everlight and Freescale. Main products comprise IC,Modules,Potentiometer,IC Socket,Relay,Connector.Our parts cover such applications as commercial,industrial, and automotives areas.

We are looking forward to setting up business relationship with you and hope to provide you with the best service and solution. Let us make a better world for our industry!



Contact us

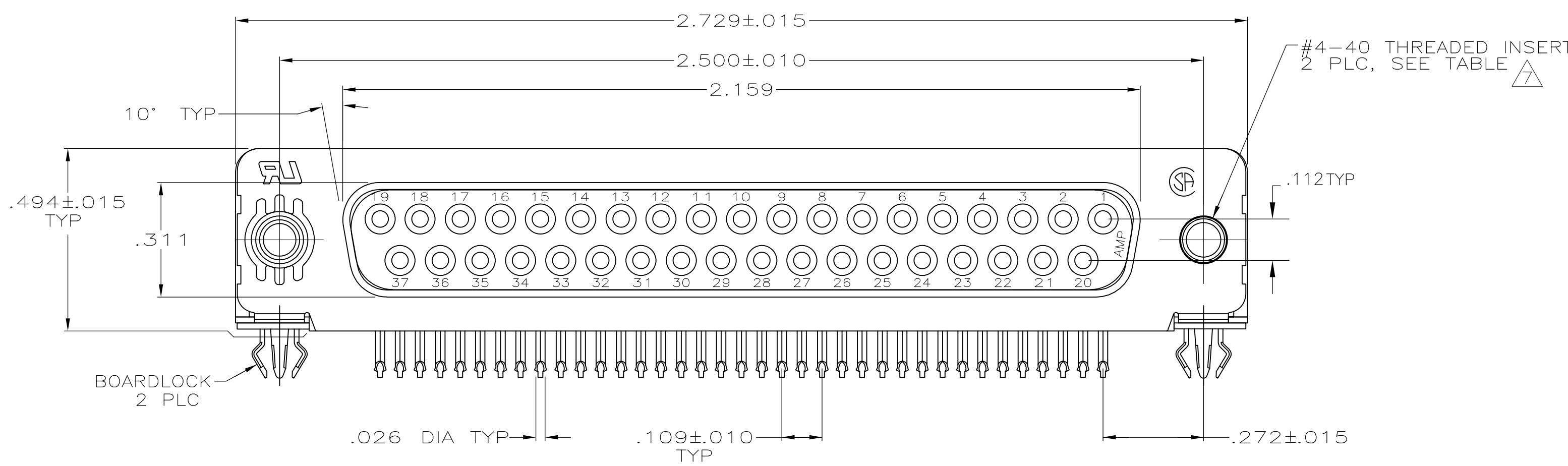
Tel: +86-755-8981 8866 Fax: +86-755-8427 6832

Email & Skype: info@chipsmall.com Web: www.chipsmall.com

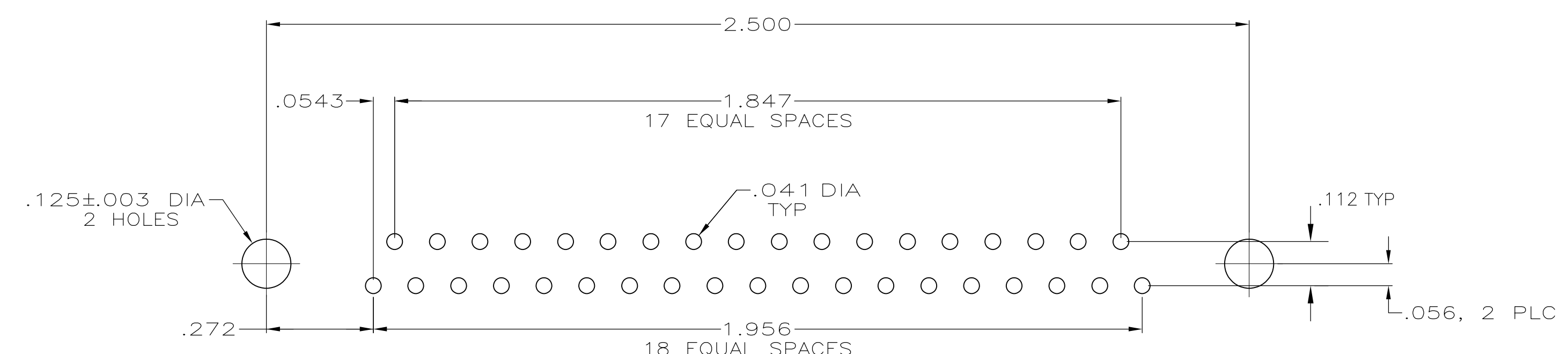
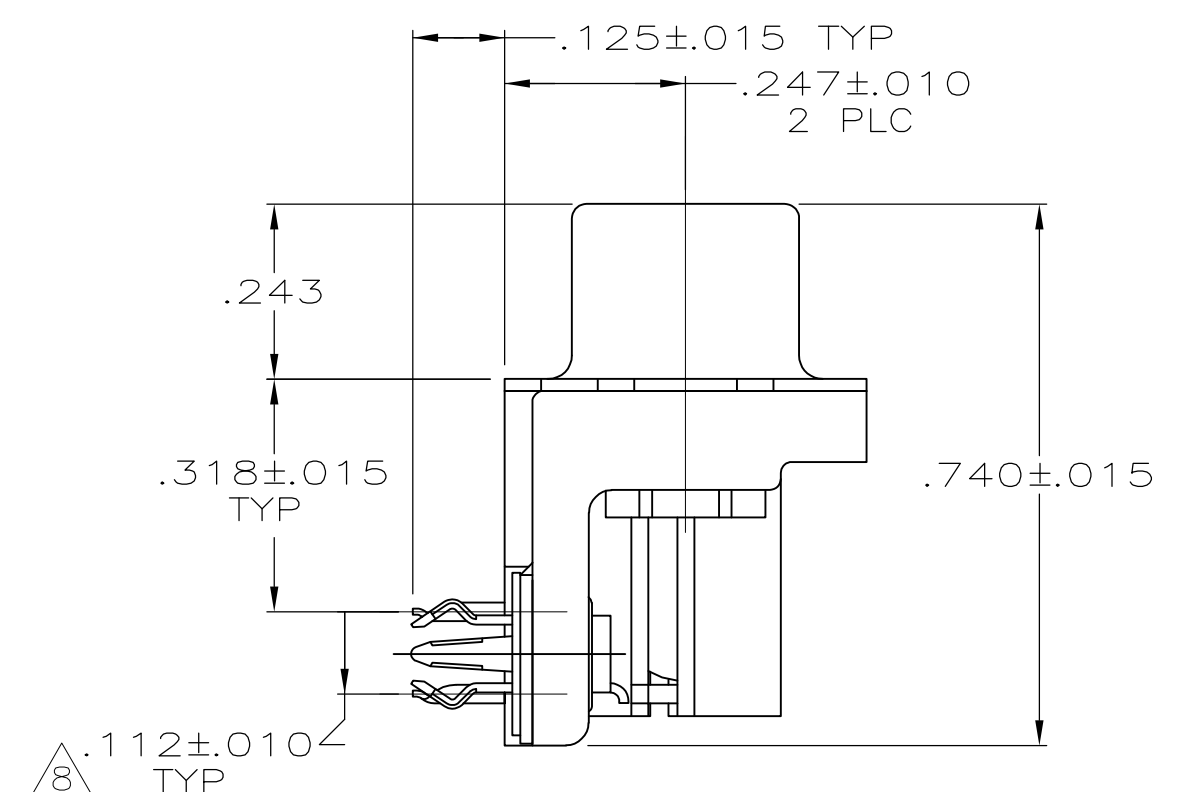
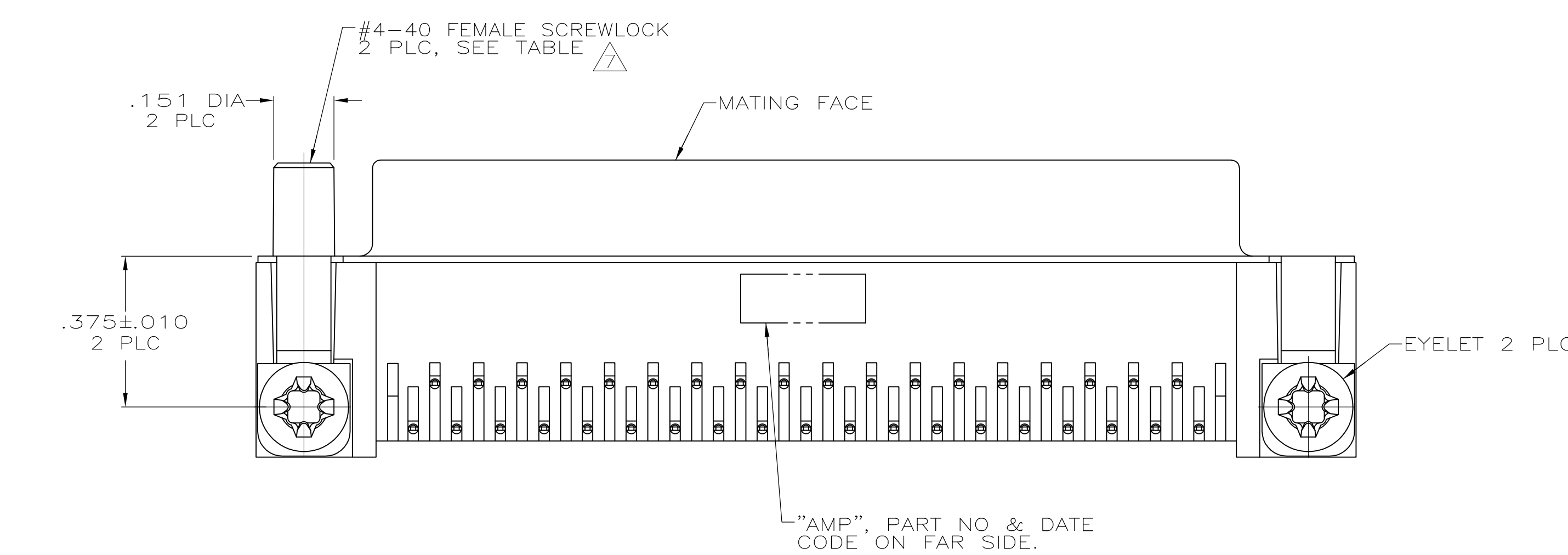
Address: A1208, Overseas Decoration Building, #122 Zhenhua RD., Futian, Shenzhen, China



LOC	DIST	REVISIONS			
P	LT	DESCRIPTION	DATE	DWN	APVD
V		REVISED PER EC 0513-0176-03	28MAY03	JG	CC
V1		REVISED PER ECO-09-021826	05JAN10	KK	AEG



1. CONNECTOR MATES WITH ANY 37 POSN PLUG IN AMPLIMITE™ SERIES.
2. MOLDED PARTS: FLAME RETARDANT 94V-0 RATED THERMOPLASTIC, BLACK.
SHELL: STEEL PER ASTM A109
CONTACTS: PHOSPHOR BRONZE PER QQ-B-750
EYELETS: BRASS
INSERTS AND SCREWLOCKS: ZINC
BOARDLOCKS: COPPER ALLOY
3. SHELL: .000100 MIN TIN OR TIN-LEAD
CONTACTS: SEE TABLE
EYELETS: TIN
BOARDLOCKS: SEE TABLE
INSERTS AND SCREWLOCKS: CLEAR CHROMATE
4. GOLD PLATING PER MIL-G-45204, NICKEL PLATING PER QQ-N-290, TIN PLATING PER MIL-T-10727.
5. GOLD FLASH FOR A DISTANCE OF .100 MIN FROM MATING END, .000100-.000200 BRIGHT TIN OR BRIGHT TIN-LEAD ON TERMINATION END, ALL OVER .000050 NICKEL ON ENTIRE CONTACT.
6. .000030 GOLD FOR A DISTANCE OF .100 MIN FROM MATING END, .000100-.000200 BRIGHT TIN OR BRIGHT TIN-LEAD ON TERMINATION END, ALL OVER .000050 NICKEL ON ENTIRE CONTACT.
7. SCREWLOCKS & INSERTS WILL WITHSTAND 4 IN-LBS TORQUE & 20 LBS PULL OUT FORCE FROM MATING FACE SIDE.
8. DIMENSION APPLIES FROM CENTER OF CONTACTS.
9. OBSOLETE PARTS: OBSOLETE CIS STREAMLINING PER D.RENAUD/D.SINISI



RECOMMENDED P.C. BOARD MOUNTING DIMENSIONS

OBSOLETE	FEMALE SCREWLOCKS	TIN	6	6-747847-8
	THREADED INSERTS	TIN	6	6-747847-7
SUPSD BY 747847-6	FEMALE SCREWLOCKS	TIN-LEAD	6	747847-6
	FEMALE SCREWLOCKS	TIN-LEAD	5	747847-5
SUPSD BY 747847-4	THREADED INSERTS	TIN-LEAD	6	747847-4
	THREADED INSERTS	TIN-LEAD	5	747847-3
SUPSD BY 747847-4	.125 DIA HOLES	TIN-LEAD	6	747847-2
	.125 DIA HOLES	TIN-LEAD	5	747847-1
OBSOLETE	MOUNTING HARDWARE	BOARDLOCK FINISH	CONTACT FINISH	PART NUMBER

THIS DRAWING IS A CONTROLLED DOCUMENT.

DIMENSIONS: INCHES	TOLERANCES UNLESS OTHERWISE SPECIFIED:	DWN: J. GALLUCCI/BG 28-JAN-01	CHK: W.G. LENKER 15-APR-01	APVD: J. YOUNG 15-APR-01	NAME: AMP Incorporated Harrisburg, PA 17105-3608
0 PLC ±	1 PLC ±	PRODUCT SPEC: 108-40025			RECEPTACLE ASSEMBLY, SIZE 4, 37 POSITION, RIGHT ANGLE, FRONT METAL SHELL, .318 SERIES, .026 DIA POSTS, BOARDLOCKS, AMPLIMITE™ HD-20
2 PLC ±	3 PLC ±	APPLICATION SPEC: 114-40010			SIZE: A100779
4 PLC ±	5 PLC ±	MATERIAL FINISH: AND CALLOUTS			SCALE: 4:1
CUSTOMER DRAWING				WEIGHT: -	SHEET 1 OF 1 REV V1