



Chipsmall Limited consists of a professional team with an average of over 10 year of expertise in the distribution of electronic components. Based in Hongkong, we have already established firm and mutual-benefit business relationships with customers from,Europe,America and south Asia,supplying obsolete and hard-to-find components to meet their specific needs.

With the principle of "Quality Parts,Customers Priority,Honest Operation,and Considerate Service",our business mainly focus on the distribution of electronic components. Line cards we deal with include Microchip,ALPS,ROHM,Xilinx,Pulse,ON,Everlight and Freescale. Main products comprise IC,Modules,Potentiometer,IC Socket,Relay,Connector.Our parts cover such applications as commercial,industrial, and automotives areas.

We are looking forward to setting up business relationship with you and hope to provide you with the best service and solution. Let us make a better world for our industry!



Contact us

Tel: +86-755-8981 8866 Fax: +86-755-8427 6832

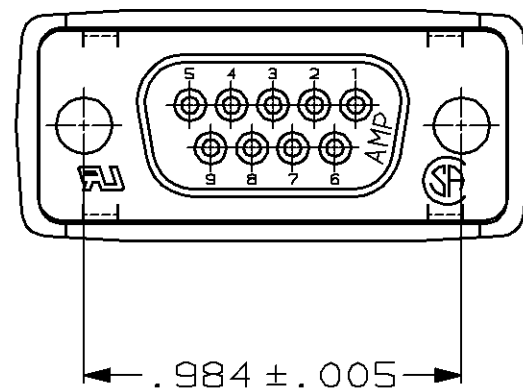
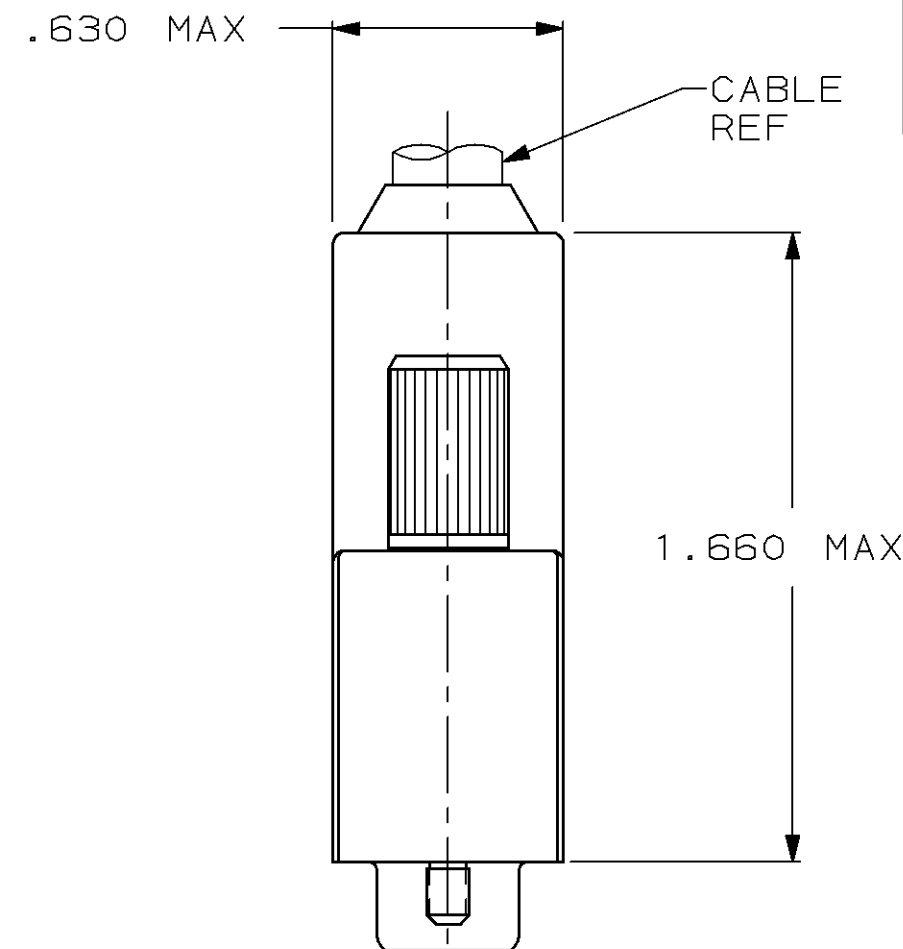
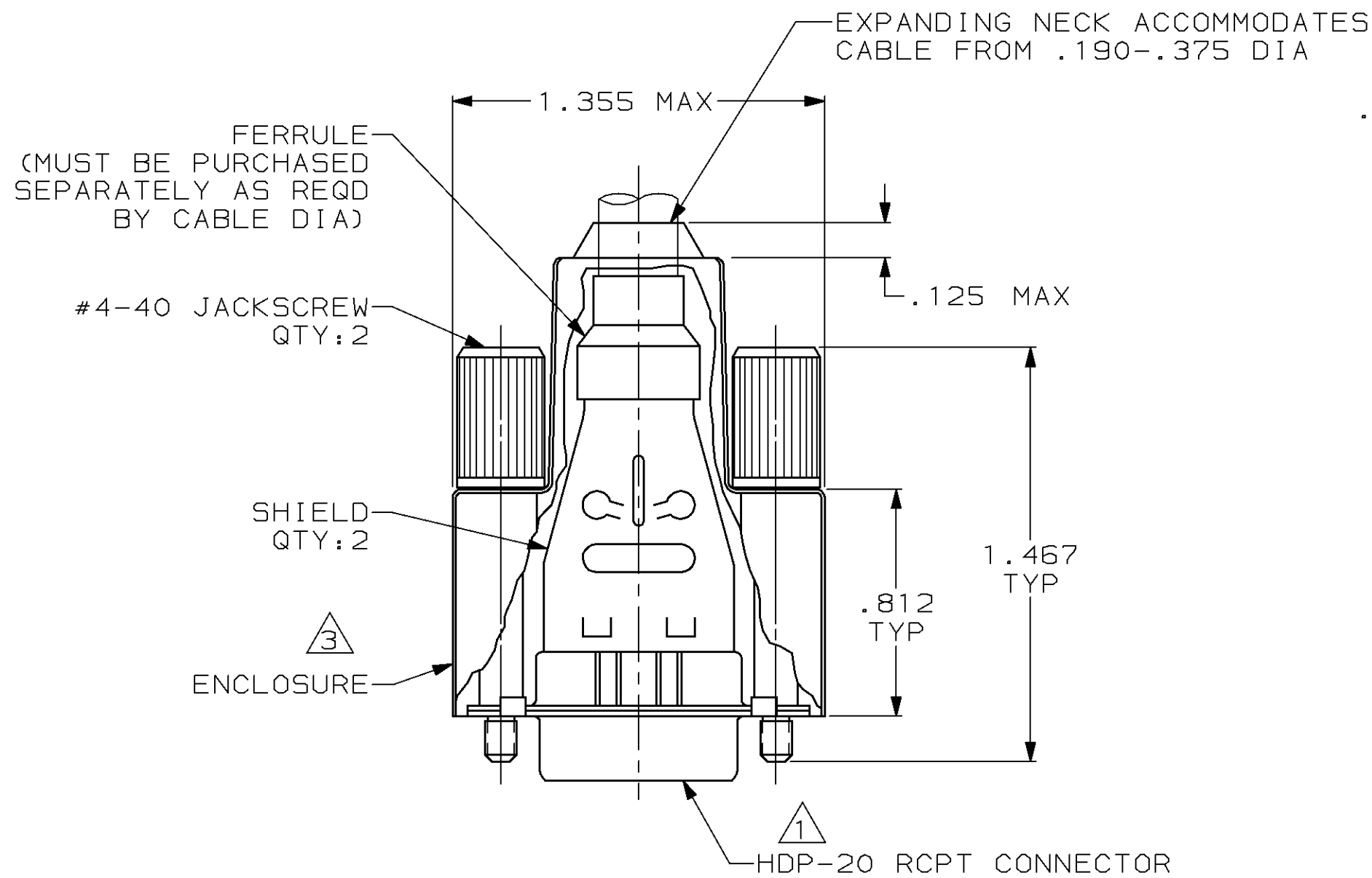
Email & Skype: info@chipsmall.com Web: www.chipsmall.com

Address: A1208, Overseas Decoration Building, #122 Zhenhua RD., Futian, Shenzhen, China



THIS DRAWING IS UNPUBLISHED. RELEASED FOR PUBLICATION
 © COPYRIGHT 19 BY AMP INCORPORATED. ALL INTERNATIONAL RIGHTS RESERVED.

LOC	DIST	P	F	ZONE	LTR	DESCRIPTION	DATE	APPD
BD	48				G	REDRAWN	6/4/90	-
					H	REV PER ECN BD4814	05/31/91	-
					J	REV PER ECN BD5049	7-2-91	TMS
					K	REV PER ECN BD6133	04/02/92	TMS
					L	ADDED -4 PER NPR 4258	07/09/92	SB
					M	ADDED -5 PER EC 0020-113-95	03/20/95	JCS
					N	REV PER EC 0020-602-95	06/13/95	JS
					P	OBSOLETE -4 & -5 PER EC 0420-143-96	07 NOV 97	SB



- 1 RECEPTACLE ACCEPTS SIZE DF SOCKET CONTACTS. CONTACTS MUST BE PURCHASED SEPARATELY.
- 2. ALL PARTS SHIPPED UNASSEMBLED.
- 3 STYRENE POLYOLEFIN OR PVC, 94V-0 RATED, FLAME RETARDANT, BLACK.
- 4 NYLON OR POLYESTER, 94V-0 RATED, GLASS FILLED, FLAME RETARDANT, BLACK.
- 5 STEEL PER ASTM A109.
- 6 TIN PLATING PER MIL-T-10727.
- 7 ZINC PLATING PER ASTM B633, TYPE II, CLASS SCI, BLACK CHROMATE.
- 8 COMPONENTS INDIVIDUALLY BULK PACKED.
- 9 INDIVIDUAL KIT PACKAGING OF COMPONENTS.
- 10 SEE RESTRICTED CUSTOMER DRAWING 747951-4.
- 11 BLACK ELECTROLESS NICKEL PER QQ-N-290.

OBSOLETE	8	W/LOGO	11	CARBON STEEL	747951-5	
OBSOLETE					10	
OBSOLETE	9	W/LOGO	7	ZINC ALLOY	747951-3	
OBSOLETE	8	W/OUT LOGO	7	ZINC ALLOY	747951-2	
	8	W/LOGO	7	ZINC ALLOY	747951-1	
		PACKAGING	REMARKS	JACKSCREW FINISH	JACKSCREW MATERIAL	PART NUMBER

DO NOT SCALE PRINT. UNLESS SPECIFIED DIMENSIONS IN INCHES TOLERANCES ON: 2 PLC DEC ± - 3 PLC DEC ± .020 ANGLES ± -	DR 6/4/90 A.STAUB BG CHK 8-31-90 J.McCLINTON APPD 9-4-90 BOB TAYLOR APPD 9-4-90 J.ASSINI PRODUCT SPEC -	AMP INCORPORATED Harrisburg, Pa. 17105			
MATERIAL INSERT: 4 SHELLS & SHIELDS: 5 JACKSCREWS: SEE TABLE	FINISH SHELLS & SHIELDS: 6 JACKSCREWS: SEE TABLE	NAME BULK KIT, RCPT, AMPLIMIT™, SHIELDING ENCLOSURE, 9 POSN, SIZE 1, HDP-20			
	APPLICATION SPEC -	SIZE C	FSCM NO 00779	DRAWING NO 747951	
	WEIGHT -	SCALE 2:1		SHEET 1 OF 1	