



Chipsmall Limited consists of a professional team with an average of over 10 year of expertise in the distribution of electronic components. Based in Hongkong, we have already established firm and mutual-benefit business relationships with customers from,Europe,America and south Asia,supplying obsolete and hard-to-find components to meet their specific needs.

With the principle of “Quality Parts,Customers Priority,Honest Operation,and Considerate Service”,our business mainly focus on the distribution of electronic components. Line cards we deal with include Microchip,ALPS,ROHM,Xilinx,Pulse,ON,Everlight and Freescale. Main products comprise IC,Modules,Potentiometer,IC Socket,Relay,Connector.Our parts cover such applications as commercial,industrial, and automotives areas.

We are looking forward to setting up business relationship with you and hope to provide you with the best service and solution. Let us make a better world for our industry!



## Contact us

Tel: +86-755-8981 8866 Fax: +86-755-8427 6832

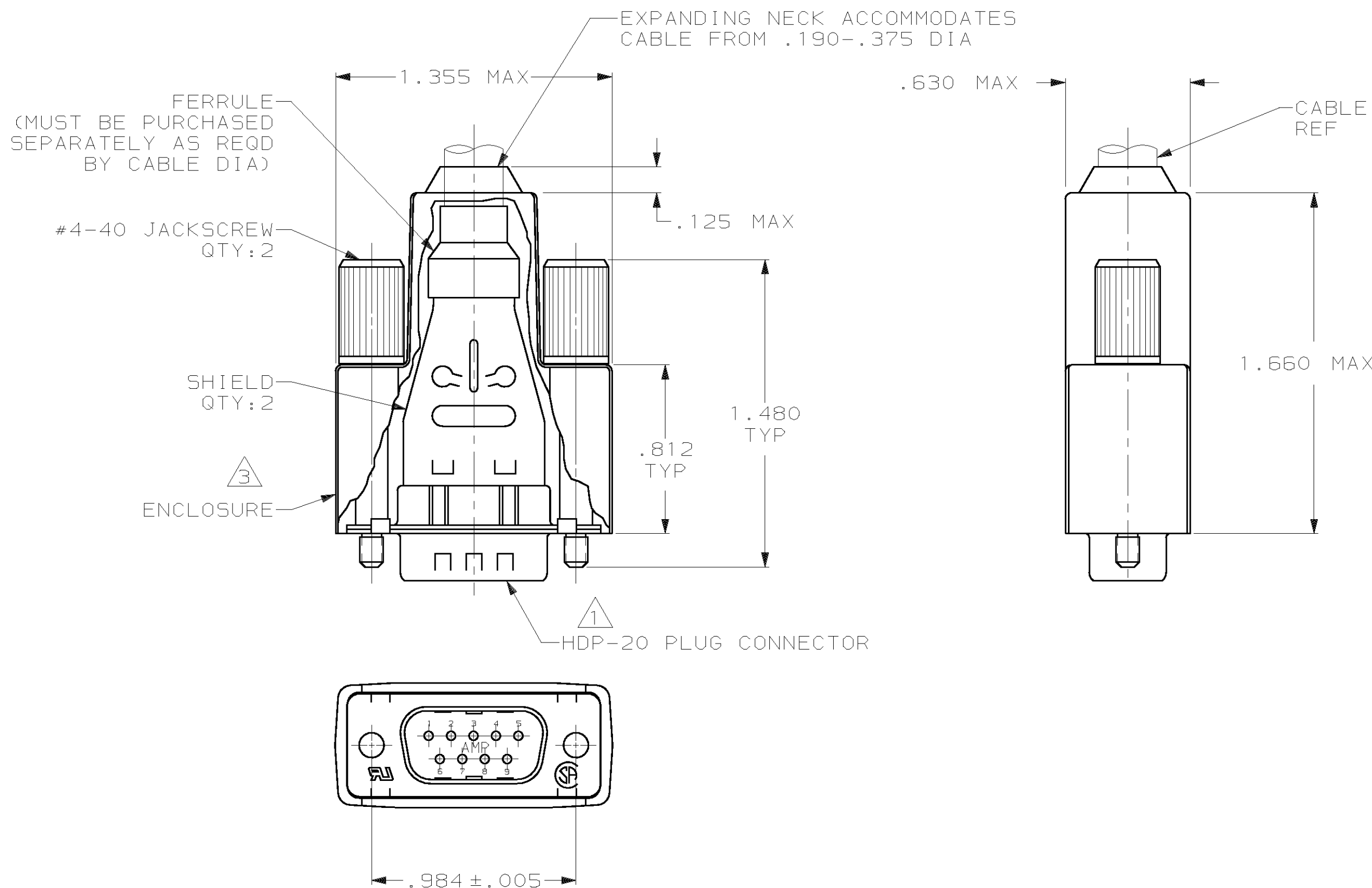
Email & Skype: info@chipsmall.com Web: www.chipsmall.com

Address: A1208, Overseas Decoration Building, #122 Zhenhua RD., Futian, Shenzhen, China



THIS DRAWING IS UNPUBLISHED. RELEASED FOR PUBLICATION .19 .  
 © COPYRIGHT 19 BY AMP INCORPORATED. ALL INTERNATIONAL RIGHTS RESERVED.

LOC		DIST		P		F		ZONE		LTR		REVISIONS			
BD	48											DESCRIPTION	DATE	APPD	
												T	REV PER EC 0U1D-0260-00	13 SEP 01	JR



- ① PLUG ACCEPTS SIZE 20 DF PIN CONTACTS. CONTACTS MUST BE PURCHASED SEPARATELY.
- 2. ALL PARTS SHIPPED UNASSEMBLED.
- ③ FLAME RETARDANT 94V-0 RATED, STYRENE POLYOLEFIN OR PVC, BLACK.
- ④ FLAME RETARDANT 94V-0 RATED GLASS FILLED, NYLON OR POLYESTER, BLACK.
- ⑤ STEEL PER ASTM A109.
- ⑥ TIN PLATING PER MIL-T-10727.
- ⑦ BODY: BLACK ELECTROLESS NICKEL PER QQ-N-290.
- ⑧ COMPONENTS INDIVIDUALLY BULK PACKED.
- ⑨ INDIVIDUAL KIT PACKAGING OF COMPONENTS.
- ⑩ SEE RESTRICTED CUSTOMER DRAWING 747952-4.
- ⑪ SEE RESTRICTED CUSTOMER DRAWING 747952-5.
- ⑫ ZINC ALLOY.
- ⑬ BODY: CARBON STEEL PER ASTM A 108. HEAD: PVC 94V-0 RATED, BLACK.
- ⑭ PHOS-E COATING, BLACK.

OBSELETE	⑧	W/LOGO	⑦	⑬	747952-6	
	-	-	-	-	⑪	
	-	-	-	-	⑩	
OBSELETE	⑨	W/LOGO	⑭	⑫	747952-3	
SUPERSEDED BY 747952-1	⑧	W/OUT LOGO	⑭	⑫	747952-2	
	⑧	W/LOGO	⑭	⑫	747952-1	
		PACKAGING	REMARKS	JACKSCREWS FINISH	JACKSCREWS MATERIAL	PART NUMBER

DO NOT SCALE PRINT. UNLESS SPECIFIED DIMENSIONS IN INCHES TOLERANCES ON : 2 PLC DEC ± - 3 PLC DEC ± .020 ANGLES ± -	DR 6-1-90 J GALLUCCI BG CHK 8-22-90 J.McCLINTON APPD 8-23-90 BOB TAYLOR APPD - J.ASSINI	AMP INCORPORATED Harrisburg, Pa. 17105	
MATERIAL INSERT: ④ SHELLS & SHIELDS: ⑤ JACKSCREW: SEE TABLE	PRODUCT SPEC 108-40030	NAME PLUG KIT, SHIELDING ENCLOSURE, 9 POSN, SIZE 1, HDP-20 AMPLIMITE™	
FINISH SHELLS & SHIELDS: ⑥ JACKSCREW: SEE TABLE	APPLICATION SPEC 114-40009	SIZE C	FSCM NO 00779
	WEIGHT -	SCALE 2:1	DRAWING NO 747952
			SHEET 1 OF 1