



Chipsmall Limited consists of a professional team with an average of over 10 year of expertise in the distribution of electronic components. Based in Hongkong, we have already established firm and mutual-benefit business relationships with customers from,Europe,America and south Asia,supplying obsolete and hard-to-find components to meet their specific needs.

With the principle of “Quality Parts,Customers Priority,Honest Operation,and Considerate Service”,our business mainly focus on the distribution of electronic components. Line cards we deal with include Microchip,ALPS,ROHM,Xilinx,Pulse,ON,Everlight and Freescale. Main products comprise IC,Modules,Potentiometer,IC Socket,Relay,Connector.Our parts cover such applications as commercial,industrial, and automotives areas.

We are looking forward to setting up business relationship with you and hope to provide you with the best service and solution. Let us make a better world for our industry!



Contact us

Tel: +86-755-8981 8866 Fax: +86-755-8427 6832

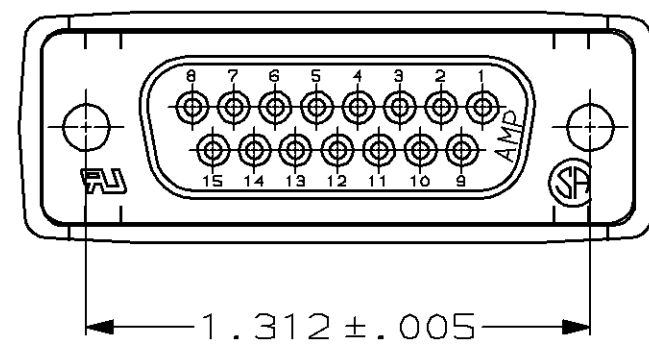
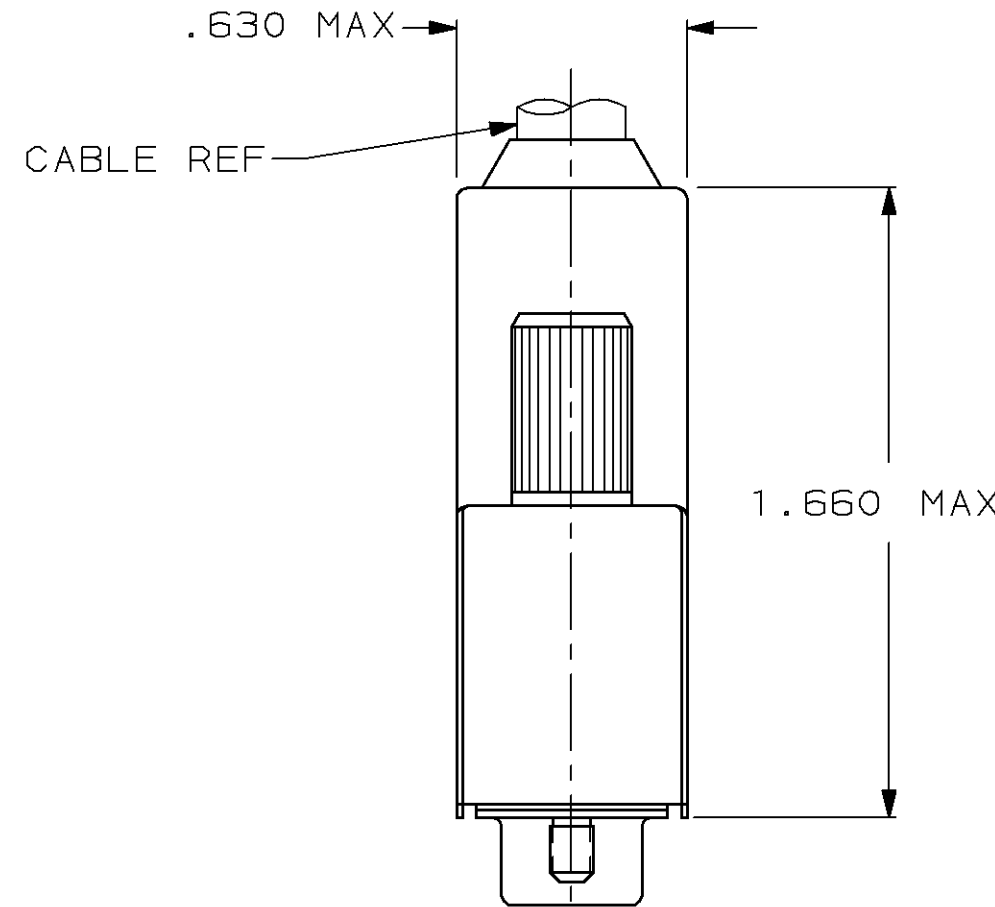
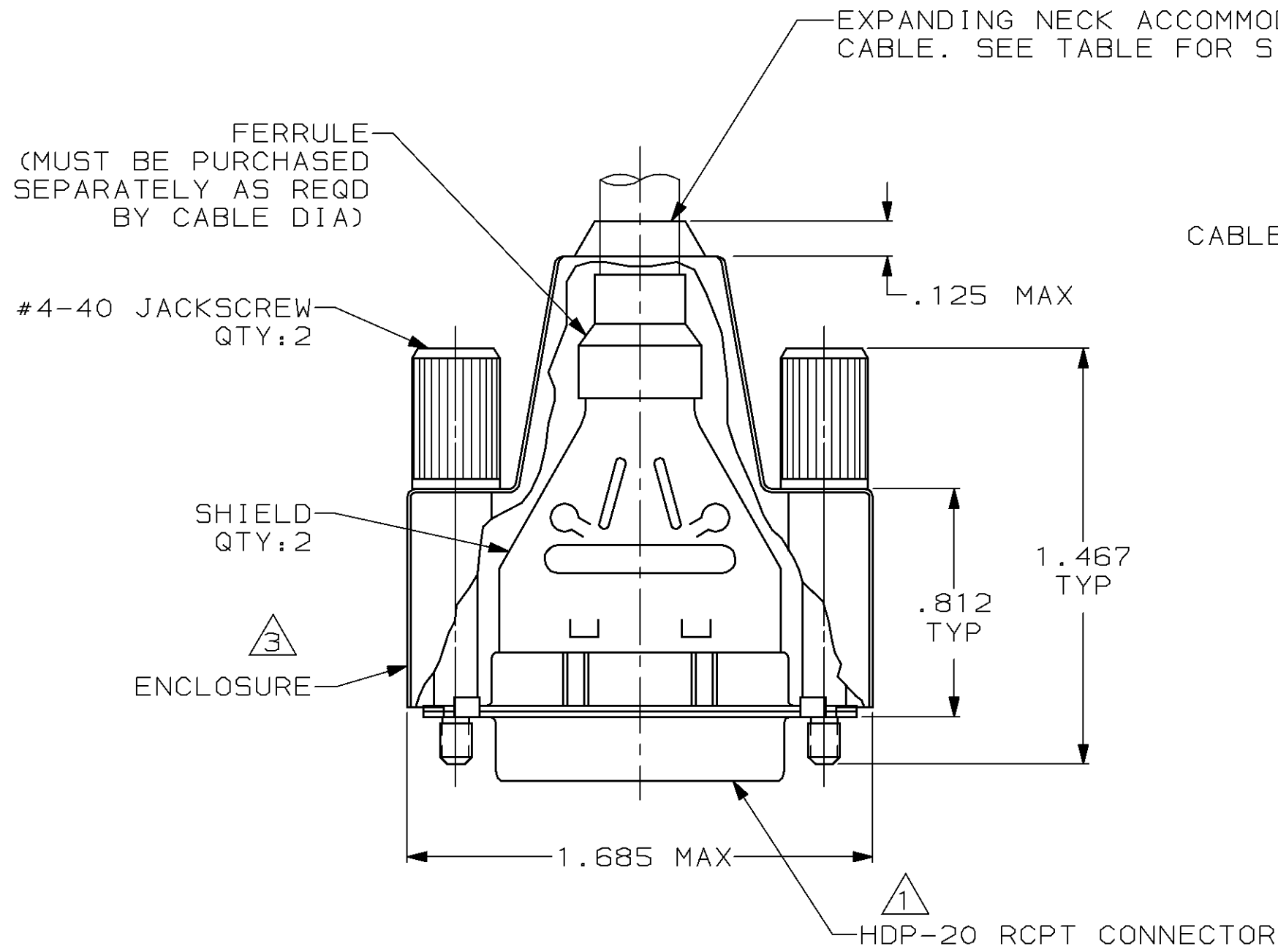
Email & Skype: info@chipsmall.com Web: www.chipsmall.com

Address: A1208, Overseas Decoration Building, #122 Zhenhua RD., Futian, Shenzhen, China



THIS DRAWING IS UNPUBLISHED. RELEASED FOR PUBLICATION
 © COPYRIGHT 19 BY AMP INCORPORATED. ALL INTERNATIONAL RIGHTS RESERVED.

LOC	DIST	P	F	ZONE	LTR	REVISIONS		
						DESCRIPTION	DATE	APPD
BD	48				F	ADDED -6, WAS 90-5848-14-3 & REDRAWN PER NPR 3091	6-4-90	-
					G	REV PER ECN BD4814	05/31/91	-
					H	REV PER ECN BD5049	7-2-91	TS
					J	ADDED-7 NPR 3712, WAS 91-5848-2-1	08/30/91	TMS
					K	REVISED PER ECN BD6133	04/02/92	TMS
					L	OBS -2, -4 PER ECN BD6177	06/18/92	TS
					M	ADDED -8 PER NPR 4263	07/10/92	SB
					N	REACTIVATED -2 EC 0020-1274-93	10/01/93	SB
					P	OBS -6 PER EC 0020-1514-93	04/15/94	LF
					R	ADDED -9 PER EC 0020-40-95	01/18/95	JS
					S	REV PER EC 0020-373-95	04/25/95	JS
					T	REV PER EC 0020-602-95	06/13/95	JS
					U	REV PER EC 0020-1011-95	13 OCT 95	JCS
					V	OBS -3, -7 PER EC 0020-724-95	11 MAR 96	JCS
					W	OBS -2 PER EC 0020-524-96	23 AUG 96	LF
					Y	OBS -9 PER EC 0420-143-96	10 NOV 97	SB



- 1 RCPT ACCEPTS SIZE 20 DF SOCKET CONTACTS. CONTACTS MUST BE PURCHASED SEPARATELY.
- 2. ALL PARTS SHIPPED UNASSEMBLED.
- 3 FLAME RETARDANT 94V-0 RATED, STYRENE POLYOLEFIN OR PVC, BLACK.
- 4 FLAME RETARDANT 94V-0 RATED GLASS FILLED, NYLON OR POLYESTER, BLACK.
- 5 STEEL PER ASTM A109.
- 6 TIN PLATING PER MIL-T-10727.
- 7 BODY: BLACK ELECTROLESS NICKEL PER QQ-N-290.
- 8 COMPONENTS INDIVIDUALLY BULK PACKED.
- 9 INDIVIDUAL KIT PACKAGING OF COMPONENTS.
- 10 SEE RESTRICTED CUSTOMER DRAWING 747953-8.
- 11 ZINC ALLOY.
- 12 BODY: CARBON STEEL PER ASTM A 108. HEAD: PVC 94V-0 RATED, BLACK.
- 13 PHOS-E COATING, BLACK.

OBsolete	CABLE SIZE	PACKAGING	ENCLOSURE WITH MOUNTING HOLES	JACKSCREWS	JACKSCREWS FINISH	JACKSCREWS MATERIAL	WITH LOGO	PART NO
OBsolete	.190-.375 DIA	8	YES	YES	7	12	YES	747953-9
	-	-	-	-	-	-	-	10
OBsolete	.250-.425 DIA	8	YES	YES	13	11	YES	747953-7
OBsolete	.190-.375 DIA	8	YES	NO	-	-	NO	747953-6
OBsolete	.190-.375 DIA	9	YES	YES	13	11	YES	747953-5
OBsolete	.190-.375 DIA	8	NO	NO	-	-	NO	747953-4
OBsolete	.190-.375 DIA	8	NO	NO	-	-	YES	747953-3
OBsolete	.190-.375 DIA	8	YES	YES	13	11	NO	747953-2
OBsolete	.190-.375 DIA	8	YES	YES	13	11	YES	747953-1

CABLE SIZE	PACKAGING	ENCLOSURE WITH MOUNTING HOLES	JACKSCREWS	JACKSCREWS FINISH	JACKSCREWS MATERIAL	WITH LOGO	PART NO
DO NOT SCALE PRINT. UNLESS SPECIFIED DIMENSIONS IN INCHES TOLERANCES ON:		DR 6-4-90 J GALLUCCI BG	AMP INCORPORATED Harrisburg, Pa. 17105 BULK KIT, RCPT, AMPLIMIT™, SHIELDING ENCLOSURE, 15 POSN, SIZE 2, HDP-20				
2 PLC DEC ± -		CHK 8-22-90 J. McCLINTON					
3 PLC DEC ± .020		APPD 8-23-90 BOB TAYLOR					
ANGLES ± -		APPD 8-23-90 J. ASSINI					
MATERIAL INSERT: 4		PRODUCT SPEC	NAME				
SHELLS & SHIELDS: 5		-	SIZE				
JACKSCREWS: SEE TABLE		APPLICATION SPEC	C		FSCM NO	DRAWING NO	
FINISH SHELLS & SHIELDS: 6		-	SCALE		00779	747953	
JACKSCREWS: SEE TABLE		WEIGHT	2:1		SHEET		1 OF 1