



Chipsmall Limited consists of a professional team with an average of over 10 year of expertise in the distribution of electronic components. Based in Hongkong, we have already established firm and mutual-benefit business relationships with customers from,Europe,America and south Asia,supplying obsolete and hard-to-find components to meet their specific needs.

With the principle of "Quality Parts,Customers Priority,Honest Operation,and Considerate Service",our business mainly focus on the distribution of electronic components. Line cards we deal with include Microchip,ALPS,ROHM,Xilinx,Pulse,ON,Everlight and Freescale. Main products comprise IC,Modules,Potentiometer,IC Socket,Relay,Connector.Our parts cover such applications as commercial,industrial, and automotives areas.

We are looking forward to setting up business relationship with you and hope to provide you with the best service and solution. Let us make a better world for our industry!



Contact us

Tel: +86-755-8981 8866 Fax: +86-755-8427 6832

Email & Skype: info@chipsmall.com Web: www.chipsmall.com

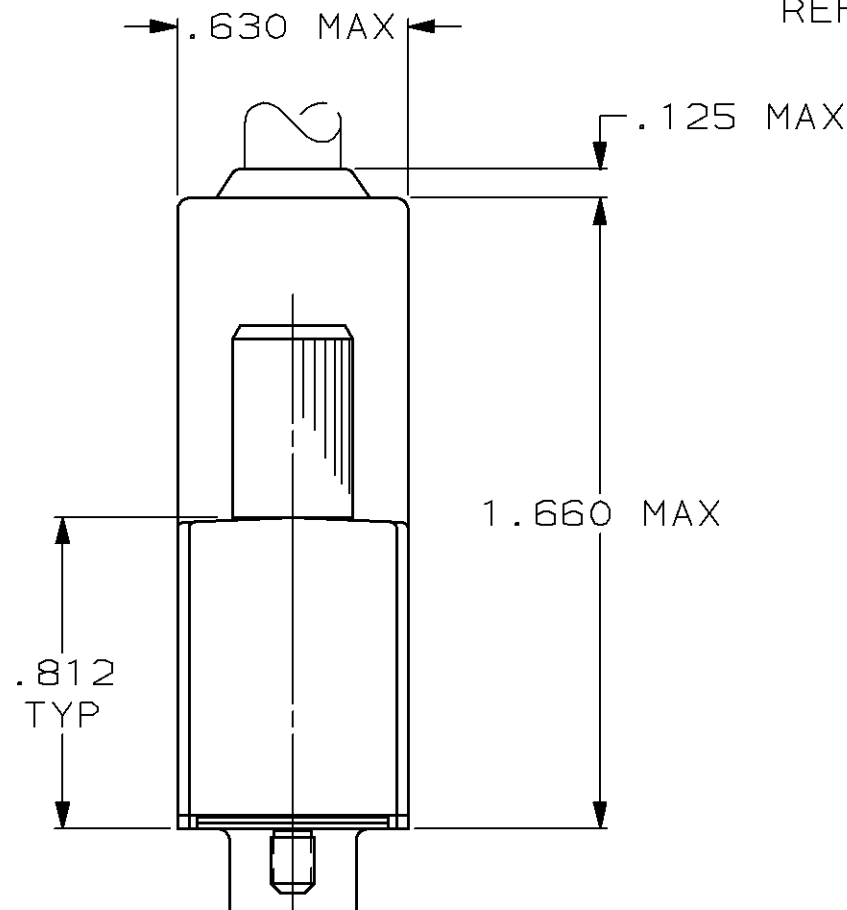
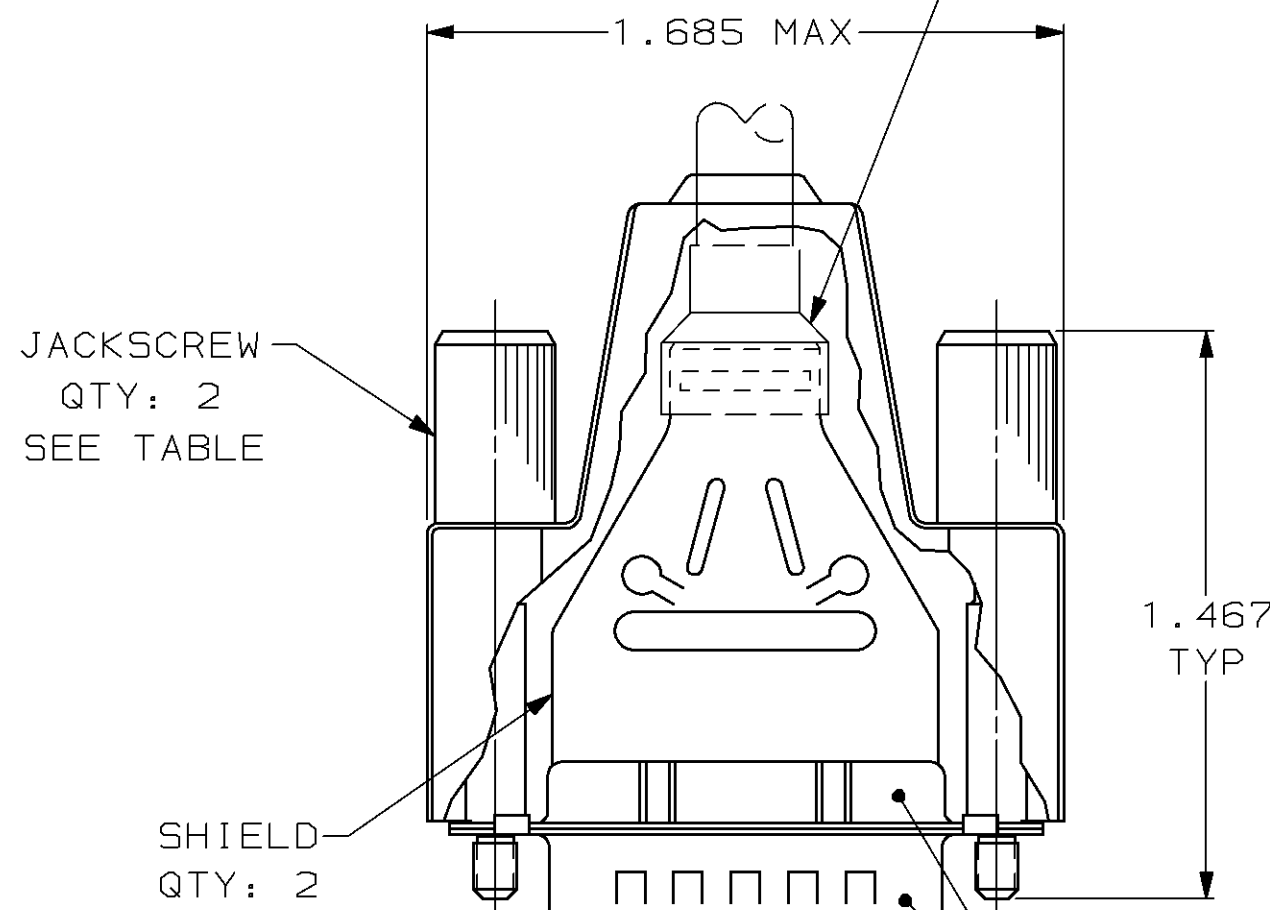
Address: A1208, Overseas Decoration Building, #122 Zhenhua RD., Futian, Shenzhen, China



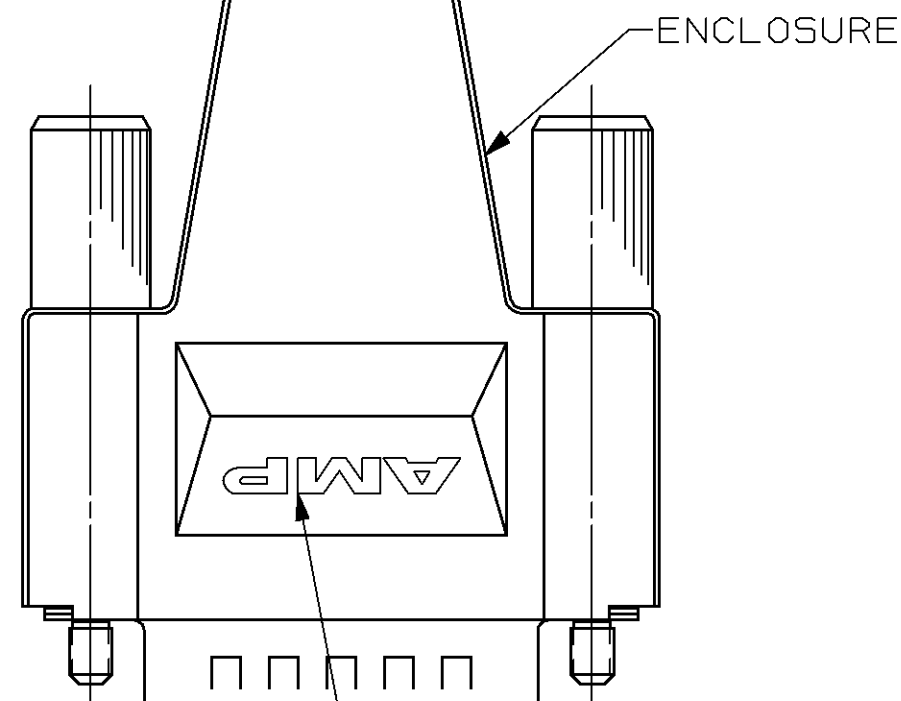
THIS DRAWING IS UNPUBLISHED. RELEASED FOR PUBLICATION
 © COPYRIGHT 19 BY AMP INCORPORATED. ALL INTERNATIONAL RIGHTS RESERVED.

LOC	DIST	P	F	REVISIONS				
				ZONE	LTR	DESCRIPTION	DATE	APPD
BD	48				M	REVISED PER ECN BD6133	04/02/92	TMS
					N	OBS -2 & -7 PER EC 0020-1514-93	04/15/94	LF
					P	ADDED -9 PER EC 0020-40-95	01/18/95	JS
					R	REV PER EC 0020-373-95	04/25/95	JS
					S	REV PER EC 0020-602-95	06/13/95	JS
					T	OBSOLETE -3, -6, -8 PER EC 0020-724-95	11 MAR 96	JCS
					U	OBS -9 PER EC 0420-143-96	10 NOV 97	SB

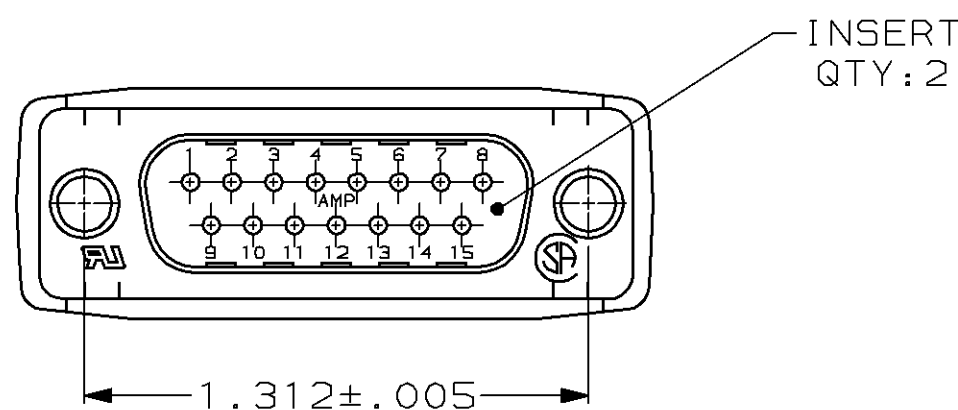
FERRULE,
MUST BE PURCHASED
SEPARATELY, AS REQUIRED
BY CABLE DIAMETER



CABLE REFERENCE
EXPANDING NECK ACCOMMODATES
CABLE. SEE TABLE FOR SIZE.



1 PLUG CONNECTOR
HDP-20



- 1 PLUG ACCEPTS SIZE 20 DF PIN CONTACTS. CONTACTS MUST BE PURCHASED SEPARATELY.
- 2. ALL PARTS SHIPPED UNASSEMBLED.
- 3 FLAME RETARDANT 94V-0 RATED, STYRENE POLYOLEFIN OR PVC, COLOR: BLACK.
- 4 FLAME RETARDANT 94V-0 RATED, GLASS FILLED NYLON OR POLYESTER, COLOR: BLACK.
- 5 STEEL PER ASTM A109.
- 6 TIN PLATING PER MIL-T-10727.
- 7 BODY: BLACK ELECTROLESS NICKEL PER QQ-N-290.
- 8 COMPONENTS INDIVIDUALLY BULK PACKED.
- 9 INDIVIDUAL KIT PACKAGING OF COMPONENTS.
- 10 ZINC ALLOY.
- 11 BODY: CARBON STEEL PER ASTM A 108. HEAD: PVC 94V-0 RATED, BLACK.
- 12 PHOS-E COATING, BLACK.

OBSOLETE	.190-.375 DIA	8	YES	4-40 UNC-2A	7	11	YES	747954-9
OBSOLETE	.250-.425 DIA	8	YES	#4-40	12	10	YES	747954-8
OBSOLETE	.190-.375 DIA	8	YES	-	-	-	NO	747954-7
OBSOLETE	.190-.375 DIA	8	YES	M2.6X0.45	12	10	YES	747954-6
OBSOLETE	.190-.375 DIA	9	YES	#4-40	12	10	YES	747954-5
OBSOLETE	.190-.375 DIA	8	NO	-	-	-	NO	747954-4
OBSOLETE	.190-.375 DIA	8	NO	-	-	-	YES	747954-3
OBSOLETE	.190-.375 DIA	8	YES	#4-40	12	10	NO	747954-2
OBSOLETE	.190-.375 DIA	8	YES	#4-40	12	10	YES	747954-1

CABLE SIZE	PACKAGING	ENCLOSURE WITH MOUNTING HOLES	JACKSCREWS	JACKSCREWS FINISH	JACKSCREWS MATERIAL	WITH LOGO	PART NO
DO NOT SCALE PRINT. UNLESS SPECIFIED DIMENSIONS IN INCHES TOLERANCES ON:		DR 3-28-89 C. RICHARD	AMP INCORPORATED Harrisburg, Pa. 17105 SHIELDING ENCLOSURE KIT, UNASSEMBLED, PLUG, SIZE 2, 15 POSITION, AMPLIMITE® HDP-20				
2 PLC DEC ± -		CHK 3-28-89 R. STONE					
3 PLC DEC ± .020		APPD 3-29-89 R. WHYNE					
ANGLES ± -		APPD 3-29-89 J. SHOWERS					
MATERIAL		PRODUCT SPEC	108-40030	SIZE	FSCM NO	DRAWING NO	
INSERTS: 4		ENCLOSURE: 3	JACKSCREWS: SEE TABLE	C	00779	747954	
SHIELDS & SHELLS: 5		FINISH	APPLICATION SPEC	SCALE	2:1	SHEET	1 OF 1
JACKSCREWS: SEE TABLE		SHELLS & SHELLS: 6	108-40009				