



Chipsmall Limited consists of a professional team with an average of over 10 year of expertise in the distribution of electronic components. Based in Hongkong, we have already established firm and mutual-benefit business relationships with customers from,Europe,America and south Asia,supplying obsolete and hard-to-find components to meet their specific needs.

With the principle of “Quality Parts,Customers Priority,Honest Operation,and Considerate Service”,our business mainly focus on the distribution of electronic components. Line cards we deal with include Microchip,ALPS,ROHM,Xilinx,Pulse,ON,Everlight and Freescale. Main products comprise IC,Modules,Potentiometer,IC Socket,Relay,Connector.Our parts cover such applications as commercial,industrial, and automotives areas.

We are looking forward to setting up business relationship with you and hope to provide you with the best service and solution. Let us make a better world for our industry!



Contact us

Tel: +86-755-8981 8866 Fax: +86-755-8427 6832

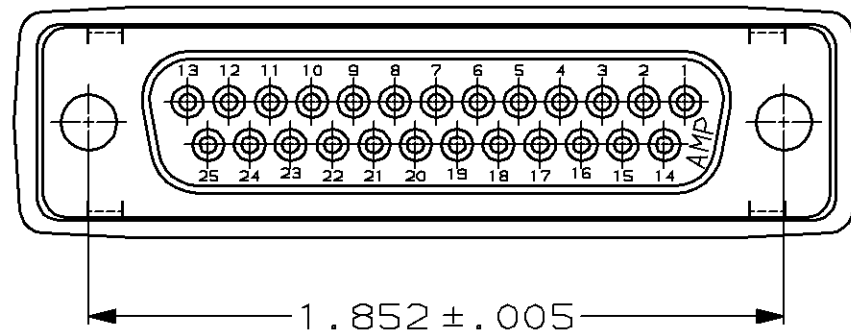
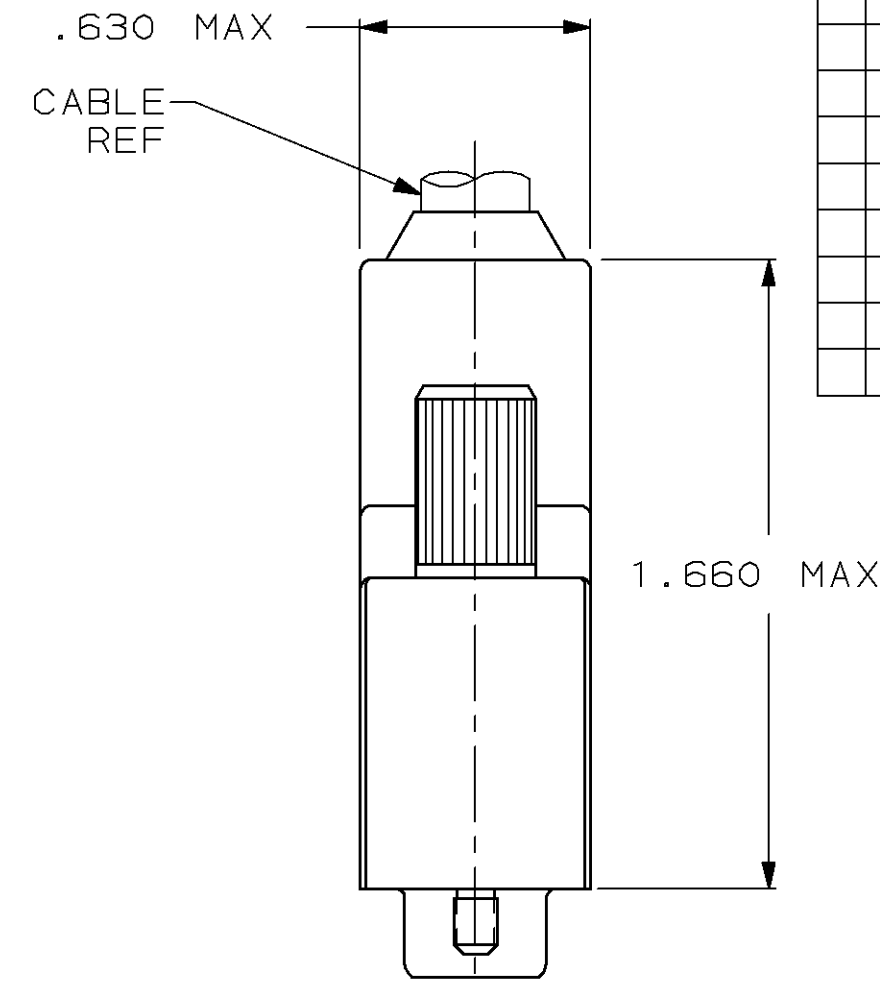
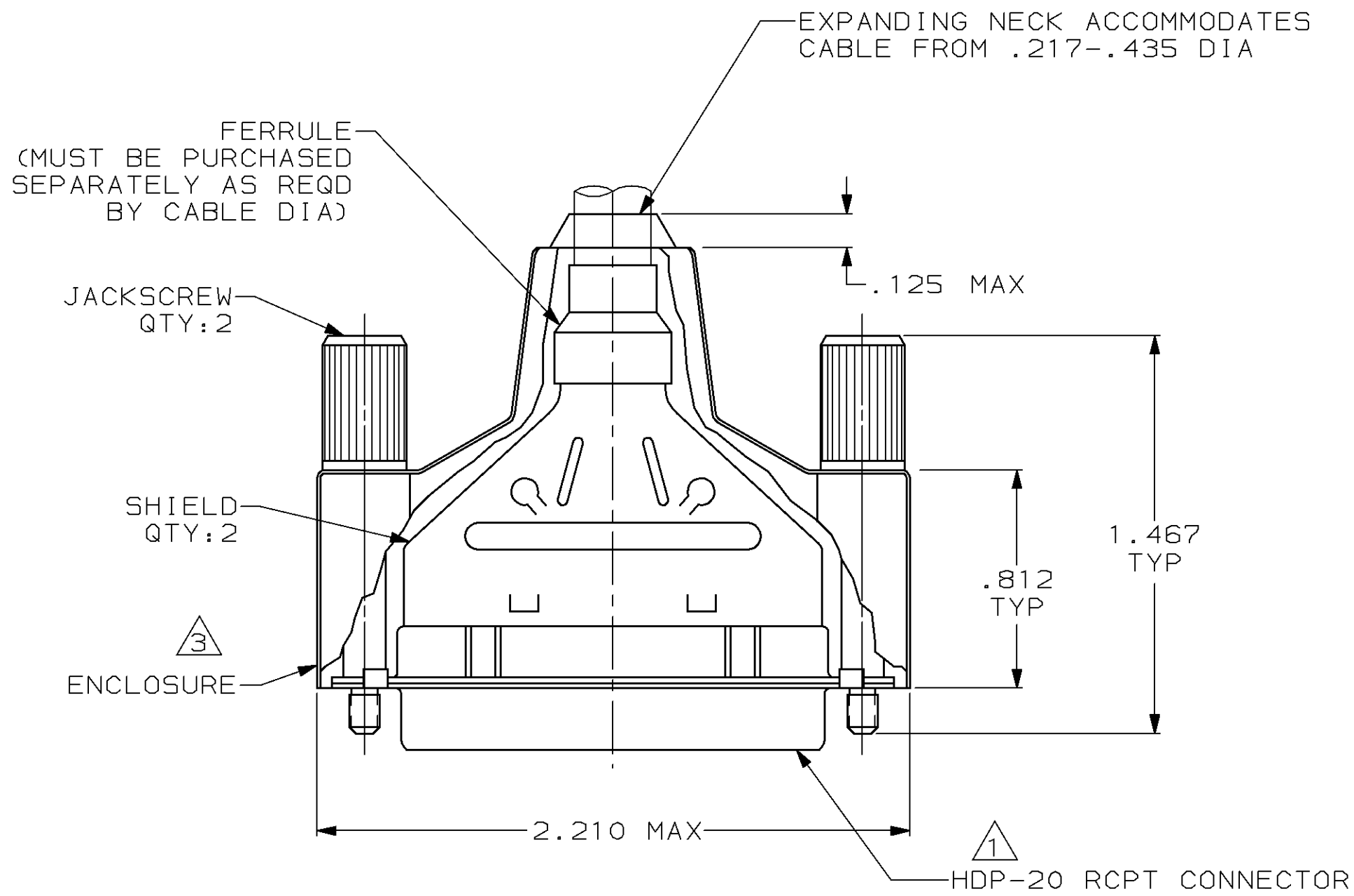
Email & Skype: info@chipsmall.com Web: www.chipsmall.com

Address: A1208, Overseas Decoration Building, #122 Zhenhua RD., Futian, Shenzhen, China



THIS DRAWING IS UNPUBLISHED. RELEASED FOR PUBLICATION
 © COPYRIGHT 19 BY AMP INCORPORATED. ALL INTERNATIONAL RIGHTS RESERVED.

LOC	DIST	P	F	ZONE	LTR	DESCRIPTION	DATE	APPD
BD	48				F	REDRAWN	6/4/90	-
					G	REV PER ECN BD4493	12/17/90	-
					H	REV PER ECN BD4814	05/31/91	-
					J	REVISED PER ECN BD6133	04/02/92	TMS
					K	ADDED -4 PER NPR 4258	07/09/92	SB
					L	ADDED -5 PER EC 0020-40-95	01/18/95	JS
					M	REV PER EC 0020-373-95	04/25/95	JS
					N	REV PER EC 0020-602-95	06/13/95	JS
					P	OBS -2 PER EC 0020-524-96	23 AUG 96	LF
					R	OBS -4 PER EC 0420-143-96	18 SEP 97	SB
					S	OBS -5 PER EC 0420-145-96	23 SEP 97	SB



- ① RCPT ACCEPTS SIZE 20 DF SOCKET CONTACTS. CONTACTS MUST BE PURCHASED SEPARATELY.
- 2. ALL PARTS SHIPPED UNASSEMBLED.
- ③ FLAME RETARDANT 94V-0 RATED, STYRENE POLYOLEFIN OR PVC, BLACK.
- ④ FLAME RETARDANT 94V-0 RATED GLASS FILLED, NYLON OR POLYESTER, BLACK.
- ⑤ STEEL PER ASTM A109.
- ⑥ TIN PLATING PER MIL-T-10727.
- ⑦ BODY: BLACK ELECTROLESS NICKEL PER QQ-N-290.
- ⑧ COMPONENTS INDIVIDUALLY BULK PACKED.
- ⑨ INDIVIDUAL KIT PACKAGING OF COMPONENTS.
- ⑩ SEE RESTRICTED CUSTOMER DRAWING 747955-4.
- ⑪ ZINC ALLOY.
- ⑫ BODY: CARBON STEEL PER ASTM A 108. HEAD: PVC 94V-0 RATED, BLACK.
- ⑬ PHOS-E COATING, BLACK.

OBSOLETE	⑧	W/LOGO	⑦	⑫	747955-5
OBSOLETE	⑨	W/LOGO	-	-	⑩
OBSOLETE	⑧	W/OUT LOGO	⑬	⑪	747955-3
	⑧	W/LOGO	⑬	⑪	747955-2
					747955-1
PACKAGING	REMARKS	JACKSCREWS FINISH	JACKSCREWS MATERIAL	PART NUMBER	

DO NOT SCALE PRINT. UNLESS SPECIFIED DIMENSIONS IN INCHES TOLERANCES ON : 2 PLC DEC ± - 3 PLC DEC ± .020 ANGLES ± -	DR 6/4/90 A.STAUB BG CHK 8-31-90 J.McCLINTON APPD 9-4-90 BOB TAYLOR	AMP INCORPORATED Harrisburg, Pa. 17105			
MATERIAL INSERT: ④ SHELLS & SHIELDS: ⑤ JACKSCREWS: SEE TABLE	APPD 9-4-90 J.ASSINI PRODUCT SPEC -				
FINISH SHELLS & SHIELDS: ⑥ JACKSCREWS: SEE TABLE	APPLICATION SPEC -	SIZE C	FSCM NO 00779	DRAWING NO 747955	
	WEIGHT -	SCALE 2:1		SHEET 1 OF 1	