



Chipsmall Limited consists of a professional team with an average of over 10 year of expertise in the distribution of electronic components. Based in Hongkong, we have already established firm and mutual-benefit business relationships with customers from,Europe,America and south Asia,supplying obsolete and hard-to-find components to meet their specific needs.

With the principle of “Quality Parts,Customers Priority,Honest Operation,and Considerate Service”,our business mainly focus on the distribution of electronic components. Line cards we deal with include Microchip,ALPS,ROHM,Xilinx,Pulse,ON,Everlight and Freescale. Main products comprise IC,Modules,Potentiometer,IC Socket,Relay,Connector.Our parts cover such applications as commercial,industrial, and automotives areas.

We are looking forward to setting up business relationship with you and hope to provide you with the best service and solution. Let us make a better world for our industry!



## Contact us

Tel: +86-755-8981 8866 Fax: +86-755-8427 6832

Email & Skype: info@chipsmall.com Web: www.chipsmall.com

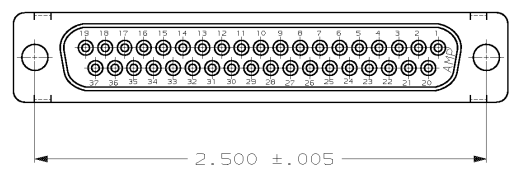
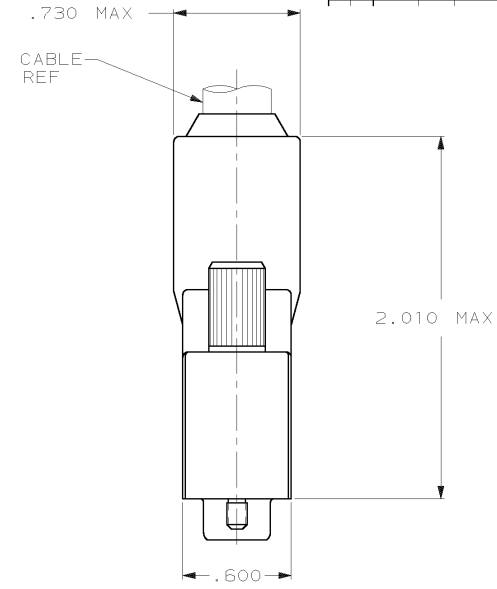
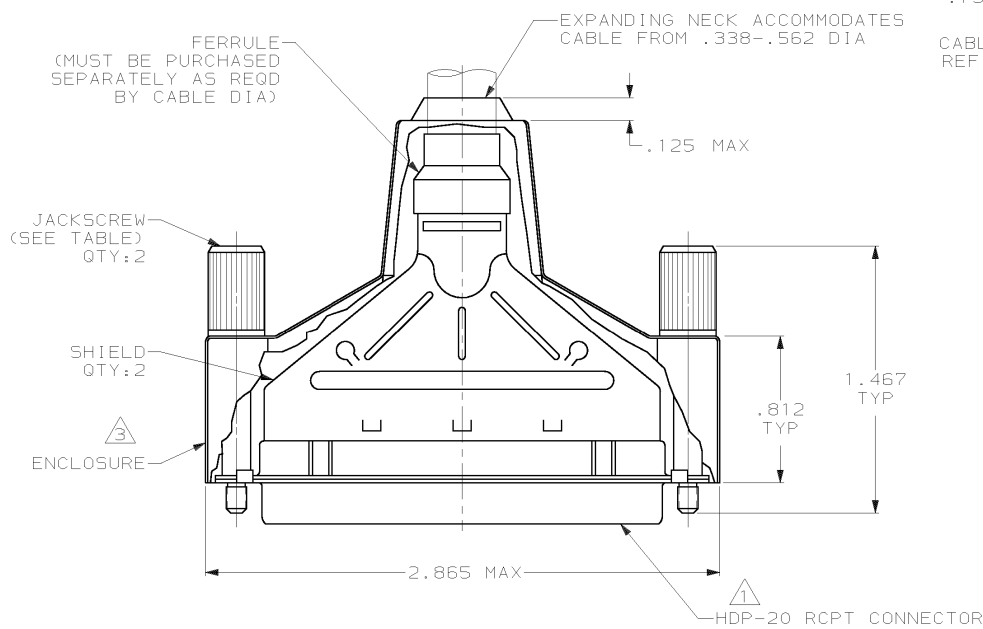
Address: A1208, Overseas Decoration Building, #122 Zhenhua RD., Futian, Shenzhen, China



DRAWING MADE IN THIRD ANGLE PROJECTION

THIS DRAWING IS UNPUBLISHED. RELEASED FOR PUBLICATION .19 .  
 © COPYRIGHT 19 BY AMP INCORPORATED. ALL INTERNATIONAL RIGHTS RESERVED.

LOC		DIST		REV		ZONE		LTR		REVISIONS		DATE	APPD
GP	00									L	REVISED PER EC 0513-0023-03	14MAY03	JG



- ① RCPT ACCEPTS SIZE 20 DF SOCKET CONTACTS. CONTACTS MUST BE PURCHASED SEPARATELY.
- 2. ALL PARTS SHIPPED UNASSEMBLED.
- ③ FLAME RETARDANT 94V-0 RATED, STYRENE POLYOLEFIN OR PVC, BLACK.
- ④ FLAME RETARDANT 94V-0 RATED GLASS FILLED, NYLON OR POLYESTER, BLACK.
- ⑤ STEEL PER ASTM A109.
- ⑥ TIN PLATING PER MIL-T-10727.
- ⑦ ZINC PLATING PER ASTM B633, TYPE II, CLASS SCI, BLACK CHROMATE.
- ⑧ COMPONENTS INDIVIDUALLY BULK PACKED.
- ⑨ INDIVIDUAL KIT PACKAGING OF COMPONENTS.
- ⑩ SEE RESTRICTED CUSTOMER DRAWING 747957-4.

OBSOLETE	⑧	M3	W/LOGO	747957-5
	-	-	-	⑩
OBSOLETE	⑨	-	W/LOGO	747957-3
OBSOLETE	⑧	-	W/OUT LOGO	747957-2
	⑧	4-40	W/LOGO	747957-1
	PACKAGING	JACKSCREW THREADS	REMARKS	PART NUMBER

DO NOT SCALE PRINT. UNLESS SPECIFIED DIMENSIONS IN INCHES TOLERANCES ON : 2 PLC DEC ± - 3 PLC DEC ± .020 ANGLES ± -		DR 6/4/90 A. STAUB BG		AMP INCORPORATED Hann. Iserburg, Pa. 17105	
MATERIAL INSERT: ④ SHELLS & SHIELDS: ⑤ JACKSCREWS: ZINC ALLOY		CHK 8-31-90 J. McCLINTON			
FINISH SHELLS & SHIELDS: ⑥ JACKSCREWS: ⑦		APPD 9-4-90 BOB TAYLOR		NAME	
		APPD 9-4-90 J. ASSINI		BULK KIT, RCPT, AMPLIMITEM™, SHIELDING ENCLOSURE, 37 POSN, SIZE 4, HDP-20	
		PRODUCT SPEC -		SIZE	
		APPLICATION SPEC -		FSCM NO	
		WEIGHT -		DRAWING NO	
				C 00779	
				747957	
				SCALE 2:1	
				SHEET 1 OF 1	