



Chipsmall Limited consists of a professional team with an average of over 10 year of expertise in the distribution of electronic components. Based in Hongkong, we have already established firm and mutual-benefit business relationships with customers from,Europe,America and south Asia,supplying obsolete and hard-to-find components to meet their specific needs.

With the principle of “Quality Parts,Customers Priority,Honest Operation,and Considerate Service”,our business mainly focus on the distribution of electronic components. Line cards we deal with include Microchip,ALPS,ROHM,Xilinx,Pulse,ON,Everlight and Freescale. Main products comprise IC,Modules,Potentiometer,IC Socket,Relay,Connector.Our parts cover such applications as commercial,industrial, and automotives areas.

We are looking forward to setting up business relationship with you and hope to provide you with the best service and solution. Let us make a better world for our industry!



## Contact us

Tel: +86-755-8981 8866 Fax: +86-755-8427 6832

Email & Skype: info@chipsmall.com Web: www.chipsmall.com

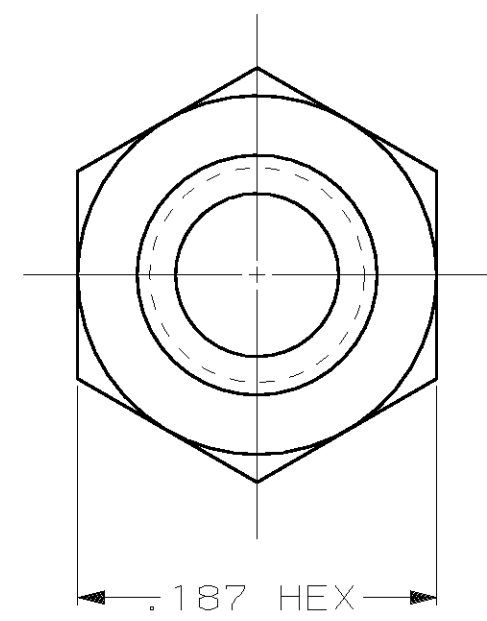
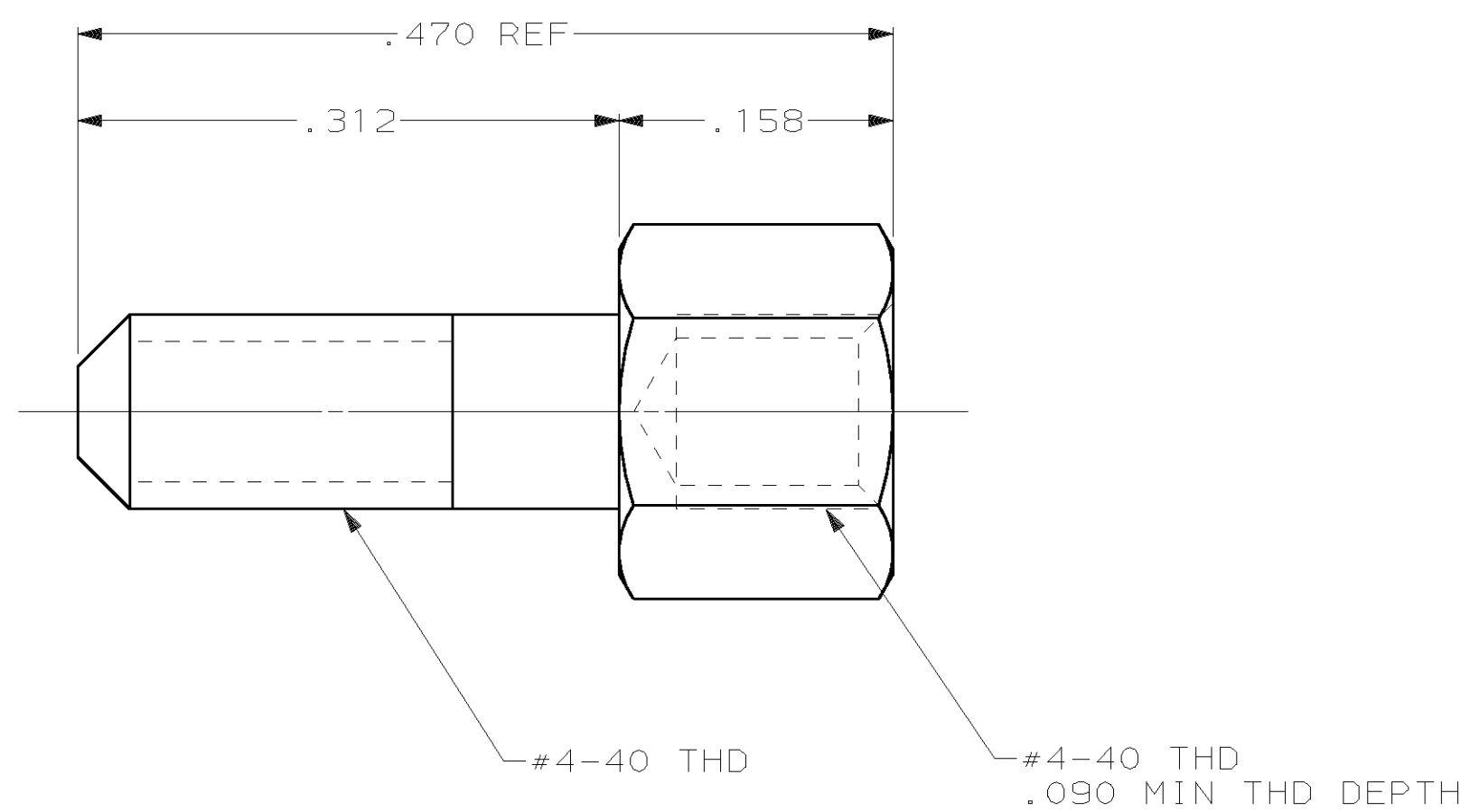
Address: A1208, Overseas Decoration Building, #122 Zhenhua RD., Futian, Shenzhen, China



THIS DRAWING IS UNPUBLISHED. RELEASED FOR PUBLICATION ,19 .  
 © COPYRIGHT 19 BY AMP INCORPORATED. ALL INTERNATIONAL RIGHTS RESERVED.

LOC	DIST	P	F	ZONE	LTR	DESCRIPTION	DATE	APPD
GP	00					B REVISED PER EC 0513-0395-02	28MAR03	JG

- 1 MATERIAL: COLD ROLLED STEEL PER ASTM A108.
- 2 FINISH: ZINC PLATED PER ASTM B633, TYPE II, CLASS SCI, YELLOW CHROMATE.
- 3 MATERIAL: BRASS.
- 4 FINISH: NICKEL PLATED, .050μ MINIMUM.



OBSOLETE	4	3	748270-3
	2	1	748270-2
	FINISH	MATERIAL	PART NO

DO NOT SCALE PRINT. UNLESS SPECIFIED DIMENSIONS IN INCHES TOLERANCES ON : 2 PLC DEC ± - 3 PLC DEC ± .005 ANGLES ± -	DR -	AMP INCORPORATED Harrisburg, Pa. 17105	
	CHK -		
MATERIAL SEE TABLE	APPD -	NAME SCREWLOCK, FEMALE, SHORT HEAD, .090 PANEL, AMPLIMITE®	
	APPD -		
FINISH SEE TABLE	PRODUCT SPEC -	SIZE <b>C</b>	FSCM NO 00779
	APPLICATION SPEC -	SCALE 10:1	DRAWING NO 748270
	WEIGHT -		SHEET 1 OF 1