



Chipsmall Limited consists of a professional team with an average of over 10 year of expertise in the distribution of electronic components. Based in Hongkong, we have already established firm and mutual-benefit business relationships with customers from,Europe,America and south Asia,supplying obsolete and hard-to-find components to meet their specific needs.

With the principle of “Quality Parts,Customers Priority,Honest Operation,and Considerate Service”,our business mainly focus on the distribution of electronic components. Line cards we deal with include Microchip,ALPS,ROHM,Xilinx,Pulse,ON,Everlight and Freescale. Main products comprise IC,Modules,Potentiometer,IC Socket,Relay,Connector.Our parts cover such applications as commercial,industrial, and automotives areas.

We are looking forward to setting up business relationship with you and hope to provide you with the best service and solution. Let us make a better world for our industry!



Contact us

Tel: +86-755-8981 8866 Fax: +86-755-8427 6832

Email & Skype: info@chipsmall.com Web: www.chipsmall.com

Address: A1208, Overseas Decoration Building, #122 Zhenhua RD., Futian, Shenzhen, China

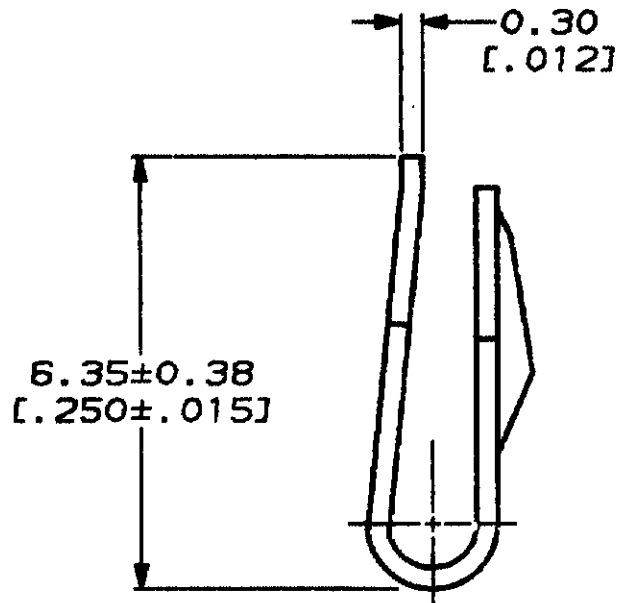
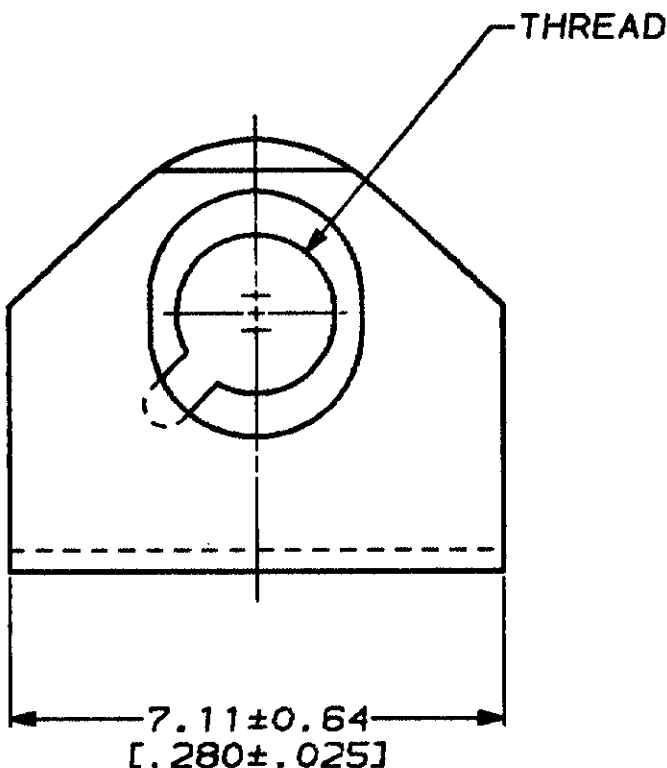


THIS DRAWING IS UNPUBLISHED. RELEASED FOR PUBLICATION, 19

© COPYRIGHT 19 BY AMP INCORPORATED. ALL INTERNATIONAL RIGHTS RESERVED.

MOD	LOC	DIST	P	F	ZONE	LTR	DESCRIPTION	DATE	APPD
8	BD	39				B	REDRAWN & REV PER ECN BD4276	12/10/80	-

△ STAINLESS STEEL PER ASTM A666.



M3 X 0.5	748274-4
4-40	748274-2
THREAD	PART NO

DO NOT SCALE PRINT.
UNLESS SPECIFIED
DIMENSIONS IN MM (INCHES)
TOLERANCES ON:
2 PLC DEC * 0.13 (.005)
3 PLC DEC * -
ANGLES * -

DR 12/10/80
B. NOYER
CHK J. Mellish 1-3-91
APPD [Signature] 1/14/91
APPD [Signature] 1/14/91
PRODUCT SPEC

AMP AMP Incorporated
Harrisburg, PA 17105-3608

NAME
SCREW RETAINER CLIP, AMPLIMITE™

MATERIAL △
FINISH -
WEIGHT -

SIZE	CAGE CODE	DRAWING NO
B	00779	748274
SCALE	SHEET	
10:1	1 OF 1	