



Chipsmall Limited consists of a professional team with an average of over 10 year of expertise in the distribution of electronic components. Based in Hongkong, we have already established firm and mutual-benefit business relationships with customers from,Europe,America and south Asia,supplying obsolete and hard-to-find components to meet their specific needs.

With the principle of “Quality Parts,Customers Priority,Honest Operation,and Considerate Service”,our business mainly focus on the distribution of electronic components. Line cards we deal with include Microchip,ALPS,ROHM,Xilinx,Pulse,ON,Everlight and Freescale. Main products comprise IC,Modules,Potentiometer,IC Socket,Relay,Connector.Our parts cover such applications as commercial,industrial, and automotives areas.

We are looking forward to setting up business relationship with you and hope to provide you with the best service and solution. Let us make a better world for our industry!



Contact us

Tel: +86-755-8981 8866 Fax: +86-755-8427 6832

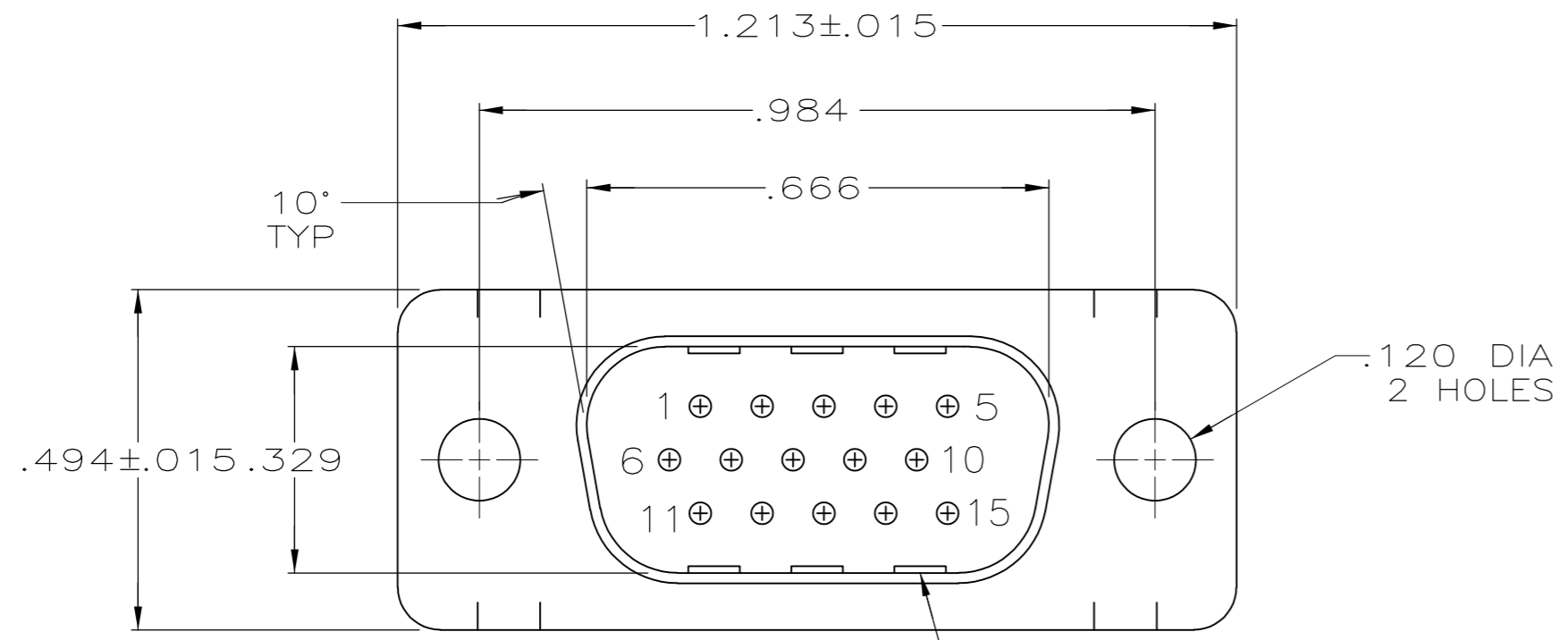
Email & Skype: info@chipsmall.com Web: www.chipsmall.com

Address: A1208, Overseas Decoration Building, #122 Zhenhua RD., Futian, Shenzhen, China

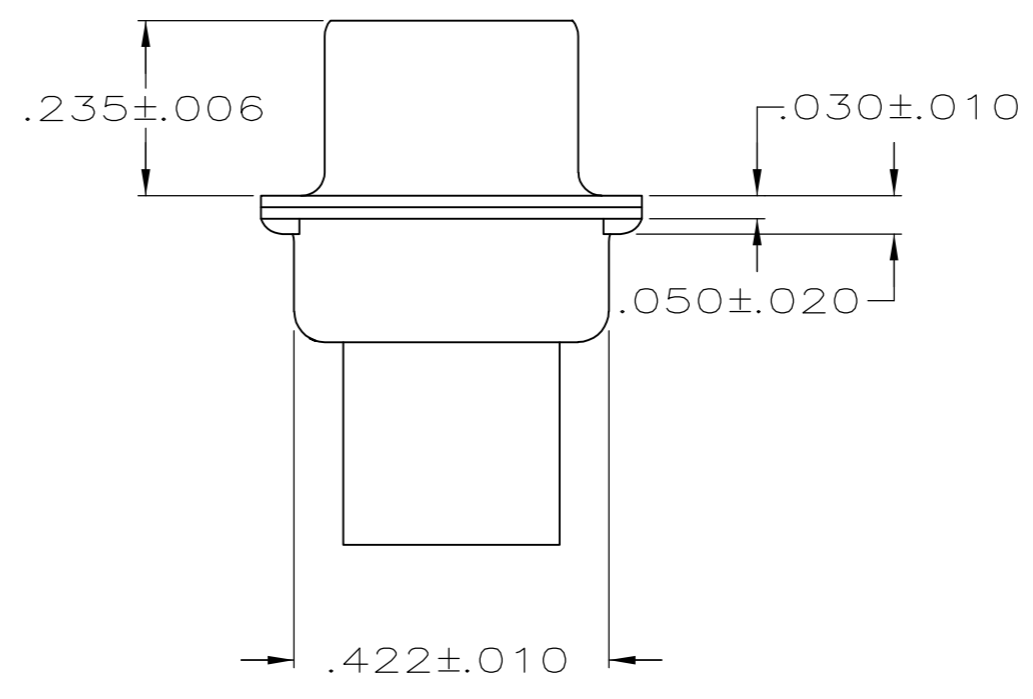
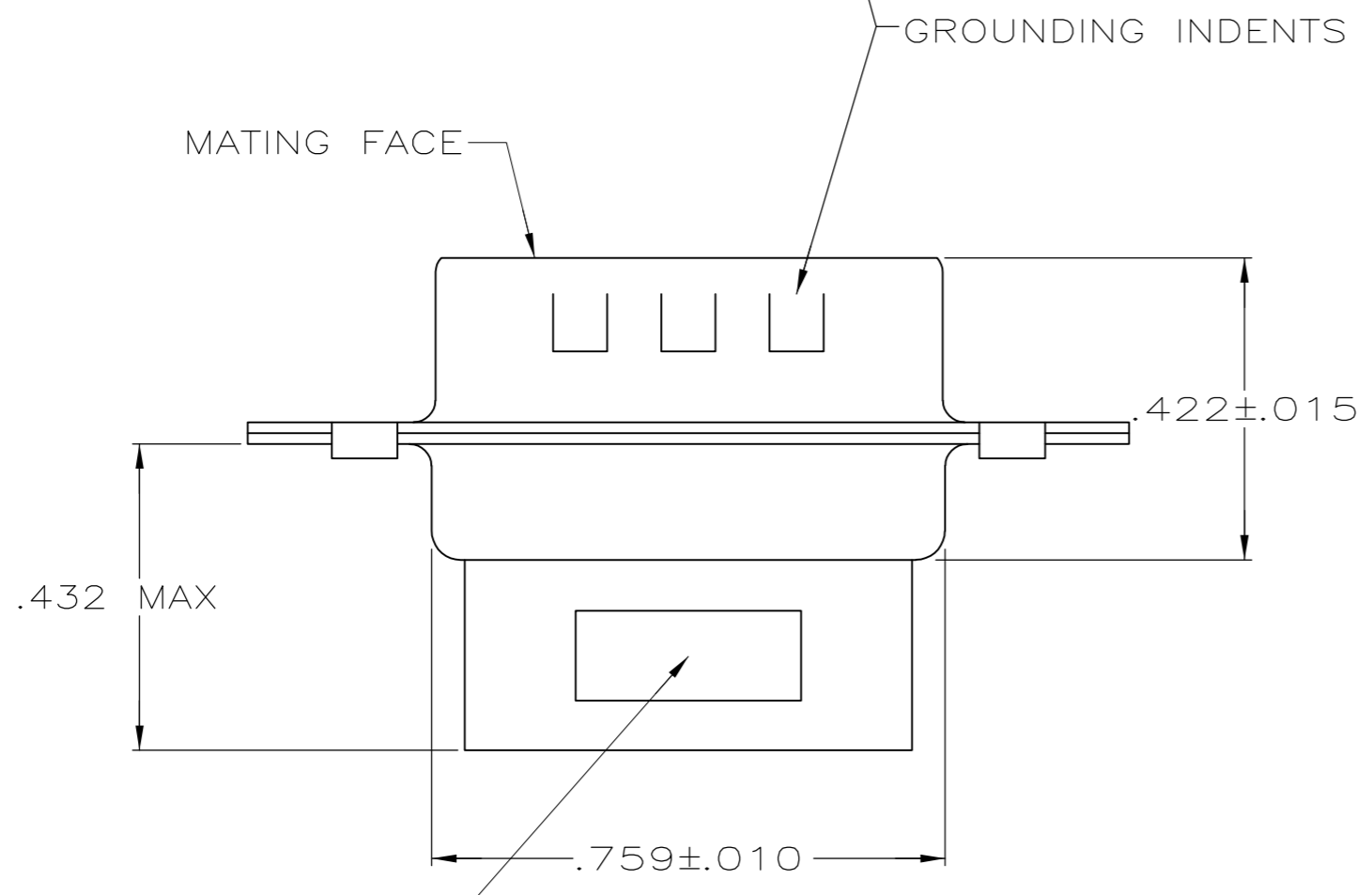


THIS DRAWING IS UNPUBLISHED. RELEASED FOR PUBLICATION
 © COPYRIGHT - By - ALL RIGHTS RESERVED.

LOC	DIST	REVISIONS			
P	LTR	DESCRIPTION	DATE	DWN	APVD
BD	48	H1	REVISED PER ECO-11-004835	11MAR11	RK HMR



- CONNECTOR ACCEPTS SIZE 22 DF PIN CONTACTS, RETENTION TINES ARE AN INTEGRAL PART OF INSERT.
- △** MATERIAL:
MOLDED PARTS - FLAME RETARDANT, 94V-0 RATED, GLASS FILLED NYLON, BLACK.
SHELLS - STEEL PER ASTM A109.
- △** FINISH:
SHELLS - TIN OR TIN-LEAD PLATED PER MIL-T-10727.
- △** FINISH:
SHELLS - TIN PLATED PER MIL-T-10727 OVER COPPER PER MIL-C-14550.
- △** 748364-5 IS FOR AMP THAILAND. PART HAS CIRCUIT HOLE #9 BLOCKED.



SUPERSEDED BY 748364-1	STANDARD	△ 4	YES	△ 748364-5
SUPERSEDED BY 748364-1	SMALL PACK	△ 4	YES	748364-4
OBSOLETE	STANDARD	△ 3	NO	748364-2
	STANDARD	△ 4	YES	748364-1
	PACKAGING TYPE	SHELL FINISH	GROUNDING INDENTS	PART NUMBER

THIS DRAWING IS A CONTROLLED DOCUMENT.

DWN	C.RICHARD	12-3-86
CHK	S.WELDON	12-4-86
APVD	L. BREKOSKY	12-4-86

TE Connectivity

PLUG CONNECTOR, SIZE 1, 15 POSITION, AMPLIMITE™ HDP-22

SIZE	CAGE CODE	DRAWING NO	RESTRICTED TO
A2	00779	C-748364	-

CUSTOMER DRAWING SCALE 4:1 SHEET 1 of 1 REV H1