



Chipsmall Limited consists of a professional team with an average of over 10 year of expertise in the distribution of electronic components. Based in Hongkong, we have already established firm and mutual-benefit business relationships with customers from,Europe,America and south Asia,supplying obsolete and hard-to-find components to meet their specific needs.

With the principle of “Quality Parts,Customers Priority,Honest Operation,and Considerate Service”,our business mainly focus on the distribution of electronic components. Line cards we deal with include Microchip,ALPS,ROHM,Xilinx,Pulse,ON,Everlight and Freescale. Main products comprise IC,Modules,Potentiometer,IC Socket,Relay,Connector.Our parts cover such applications as commercial,industrial, and automotives areas.

We are looking forward to setting up business relationship with you and hope to provide you with the best service and solution. Let us make a better world for our industry!



## Contact us

Tel: +86-755-8981 8866 Fax: +86-755-8427 6832

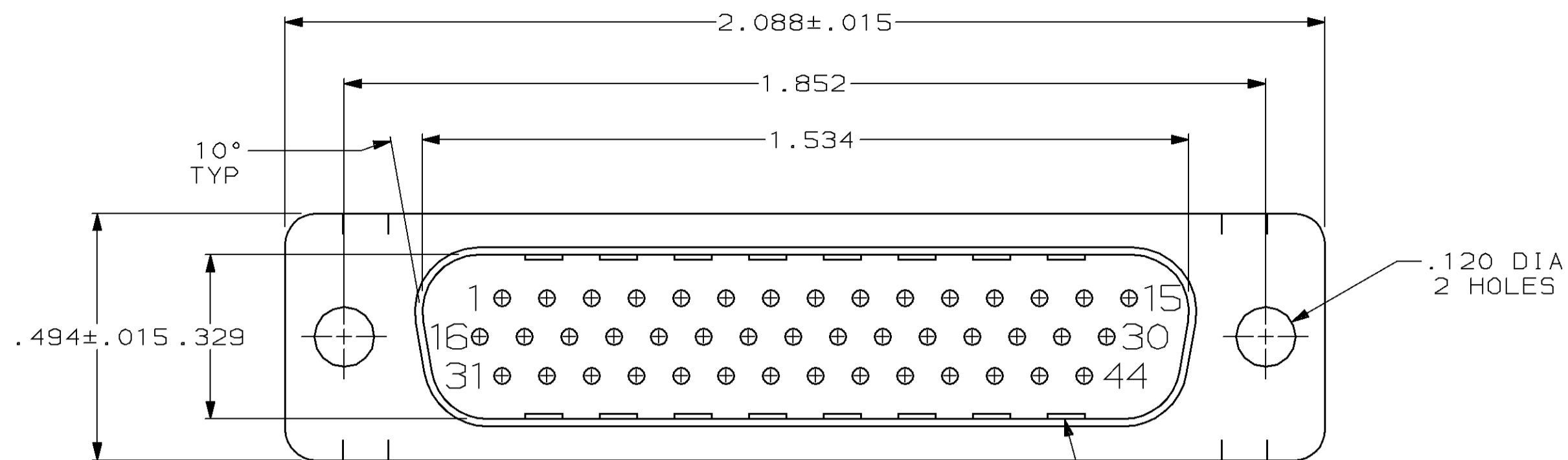
Email & Skype: info@chipsmall.com Web: www.chipsmall.com

Address: A1208, Overseas Decoration Building, #122 Zhenhua RD., Futian, Shenzhen, China



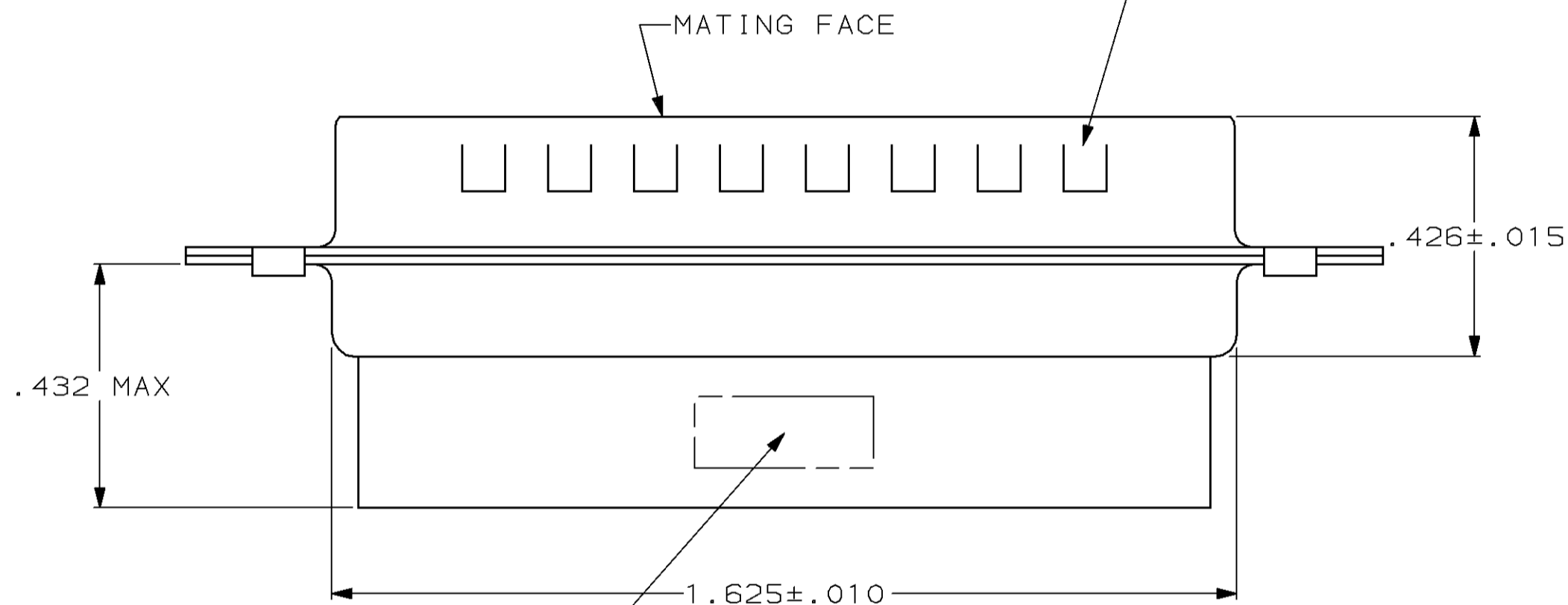
THIS DRAWING IS UNPUBLISHED. RELEASED FOR PUBLICATION, 19 .  
 © COPYRIGHT 19 BY AMP INCORPORATED, HARRISBURG, PA. ALL INTERNATIONAL RIGHTS RESERVED. AMP PRODUCTS MAY BE COVERED BY U.S. AND FOREIGN PATENTS AND/OR PATENTS PENDING.

LOC	DIST	P	F	REVISIONS				
				ZONE	LTR	DESCRIPTION	DATE	APPROVED
	48				0	WAS 5091-881	-	-
					A	ADDED -2 PER NPR 2395	05/08/89	-
					B	OBS -2 PER EC 0020-1534-93	04/14/94	PR

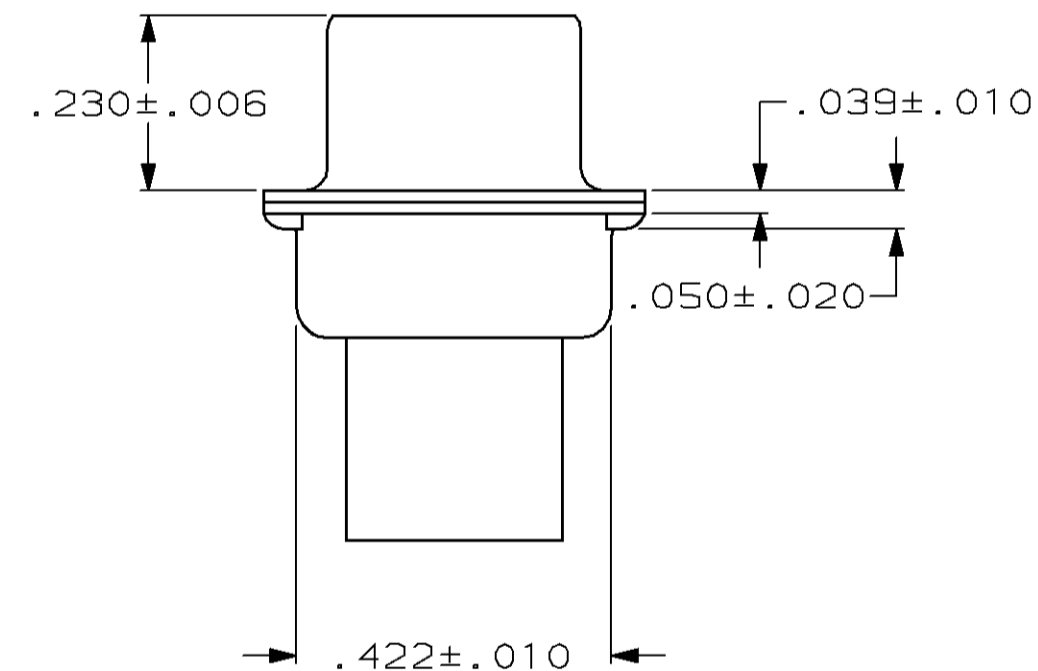


- CONNECTOR ACCEPTS SIZE 22 DF PIN CONTACTS, RETENTION TINES ARE AN INTEGRAL PART OF INSERT.
- FLAME RETARDANT 94V-0 RATED GLASS FILLED NYLON, COLOR: BLACK.
- STEEL PER ASTM A109.
- TIN PLATED PER MIL-T-10727.

GROUNDING INDENTS (SEE TABLE)



AMP, PART NO & DATE CODE, MARKED IN AREA INDICATED, ON FAR SIDE



OBSOLETE	NO	748366-2
	YES	748366-1
GROUNDING INDENTS		PART NUMBER

UNLESS OTHERWISE SPECIFIED DIMENSIONS ARE IN INCHES TOLERANCES ON : 2 PL DEC ± - 3 PL DEC ± .005 ANGLES ± 2°	DR 3-27-87 C.RICHARD	AMP INCORPORATED Harrisburg, Pa. 17105		
	CHK 3-31-87 S.WELDON			
	MATERIAL MOLDED PARTS: SHELLS:	APPD 4-2-87 L.BREKOSKY	NAME PLUG CONNECTOR, SIZE 3, 44 POSN, AMPLIMITE® HDP-22	
	FINISH SHELLS:	APPD 4-2-87 V.KUMAR		
	PRODUCT SPEC -	SIZE	FSCM NO	DRAWING NO
	APPLICATION SPEC -	<b>C</b>	00779	748366
	WEIGHT -	SCALE	4:1	SHEET 1 OF 1