



Chipsmall Limited consists of a professional team with an average of over 10 year of expertise in the distribution of electronic components. Based in Hongkong, we have already established firm and mutual-benefit business relationships with customers from,Europe,America and south Asia,supplying obsolete and hard-to-find components to meet their specific needs.

With the principle of “Quality Parts,Customers Priority,Honest Operation,and Considerate Service”,our business mainly focus on the distribution of electronic components. Line cards we deal with include Microchip,ALPS,ROHM,Xilinx,Pulse,ON,Everlight and Freescale. Main products comprise IC,Modules,Potentiometer,IC Socket,Relay,Connector.Our parts cover such applications as commercial,industrial, and automotives areas.

We are looking forward to setting up business relationship with you and hope to provide you with the best service and solution. Let us make a better world for our industry!



Contact us

Tel: +86-755-8981 8866 Fax: +86-755-8427 6832

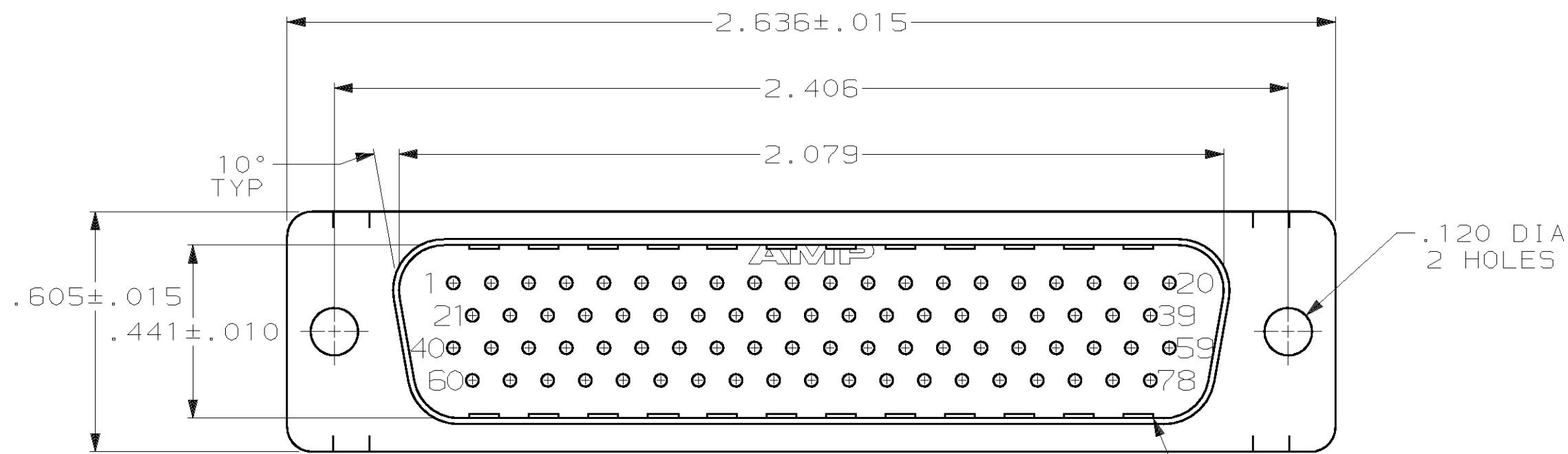
Email & Skype: info@chipsmall.com Web: www.chipsmall.com

Address: A1208, Overseas Decoration Building, #122 Zhenhua RD., Futian, Shenzhen, China

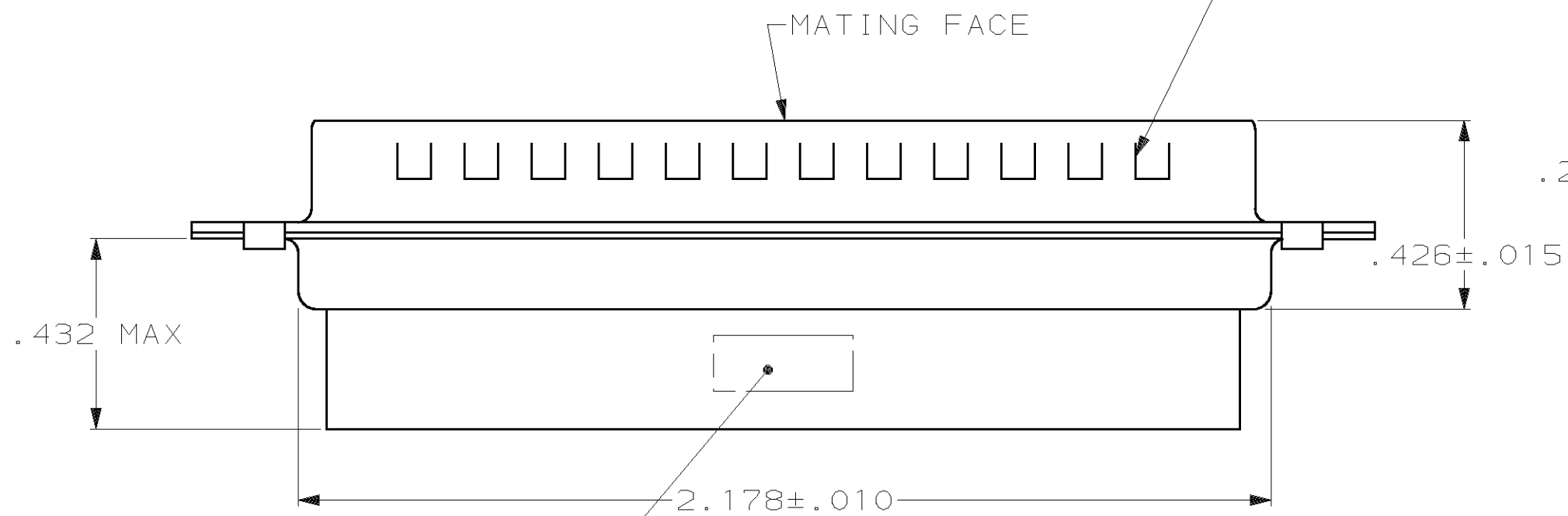


THIS DRAWING IS UNPUBLISHED. RELEASED FOR PUBLICATION, 19 .
 © COPYRIGHT 19 BY AMP INCORPORATED. ALL INTERNATIONAL RIGHTS RESERVED.

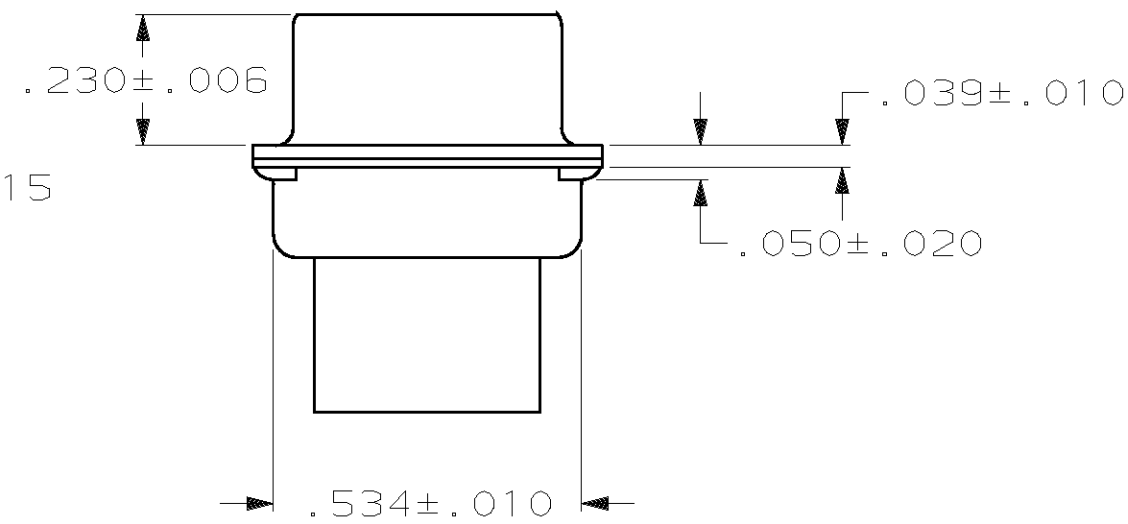
M	LOC	DIST	P	F	ZONE	LTR	DESCRIPTION	DATE	APPD
19	BD	39					REL WAS 86-4870-3	-	-
							ADDED -2 PER NPR 2395	05/08/89	-
							REV PER EC 0U1D-0226-00	30AUG01	



GROUNDING INDENTS (SEE TABLE)



AMP, PART NO & DATE CODE, MARKED IN AREA INDICATED, ON FAR SIDE



SUPERSEDED BY 748368-1	NO	748368-2
	YES	748368-1
	GROUNDING INDENTS	PART NO

- CONNECTOR ACCEPTS SIZE 22 DF PIN CONTACTS, RETENTION TINES ARE AN INTEGRAL PART OF INSERT.
- FLAME RETARDANT 94V-0 RATED GLASS FILLED NYLON, COLOR: BLACK.
- STEEL PER ASTM A109.
- TIN PLATED PER MIL-T-10727.

DO NOT SCALE PRINT. UNLESS SPECIFIED DIMENSIONS IN INCHES TOLERANCES ON : 2 PLC DEC ± - 3 PLC DEC ± .005 ANGLES ± 2°	DR 3-27-87 C.RICHARD CHK 3-31-87 S.WELDON APPD 4-2-87 L.BREKOSKY APPD 4-2-87 V.KUMAR	AMP INCORPORATED Harrisburg, Pa. 17105	
MATERIAL MOLDED PARTS: SHELLS:	PRODUCT SPEC	NAME PLUG CONNECTOR, SIZE 5, 78 POSN, AMPLIMITE®HDP-22	
FINISH SHELLS:	APPLICATION SPEC	SIZE C	FSCM NO 00779
	WEIGHT	SCALE 3:1	DRAWING NO 748368
			SHEET 1 OF 1