



Chipsmall Limited consists of a professional team with an average of over 10 year of expertise in the distribution of electronic components. Based in Hongkong, we have already established firm and mutual-benefit business relationships with customers from,Europe,America and south Asia,supplying obsolete and hard-to-find components to meet their specific needs.

With the principle of “Quality Parts,Customers Priority,Honest Operation,and Considerate Service”,our business mainly focus on the distribution of electronic components. Line cards we deal with include Microchip,ALPS,ROHM,Xilinx,Pulse,ON,Everlight and Freescale. Main products comprise IC,Modules,Potentiometer,IC Socket,Relay,Connector.Our parts cover such applications as commercial,industrial, and automotives areas.

We are looking forward to setting up business relationship with you and hope to provide you with the best service and solution. Let us make a better world for our industry!



## Contact us

Tel: +86-755-8981 8866 Fax: +86-755-8427 6832

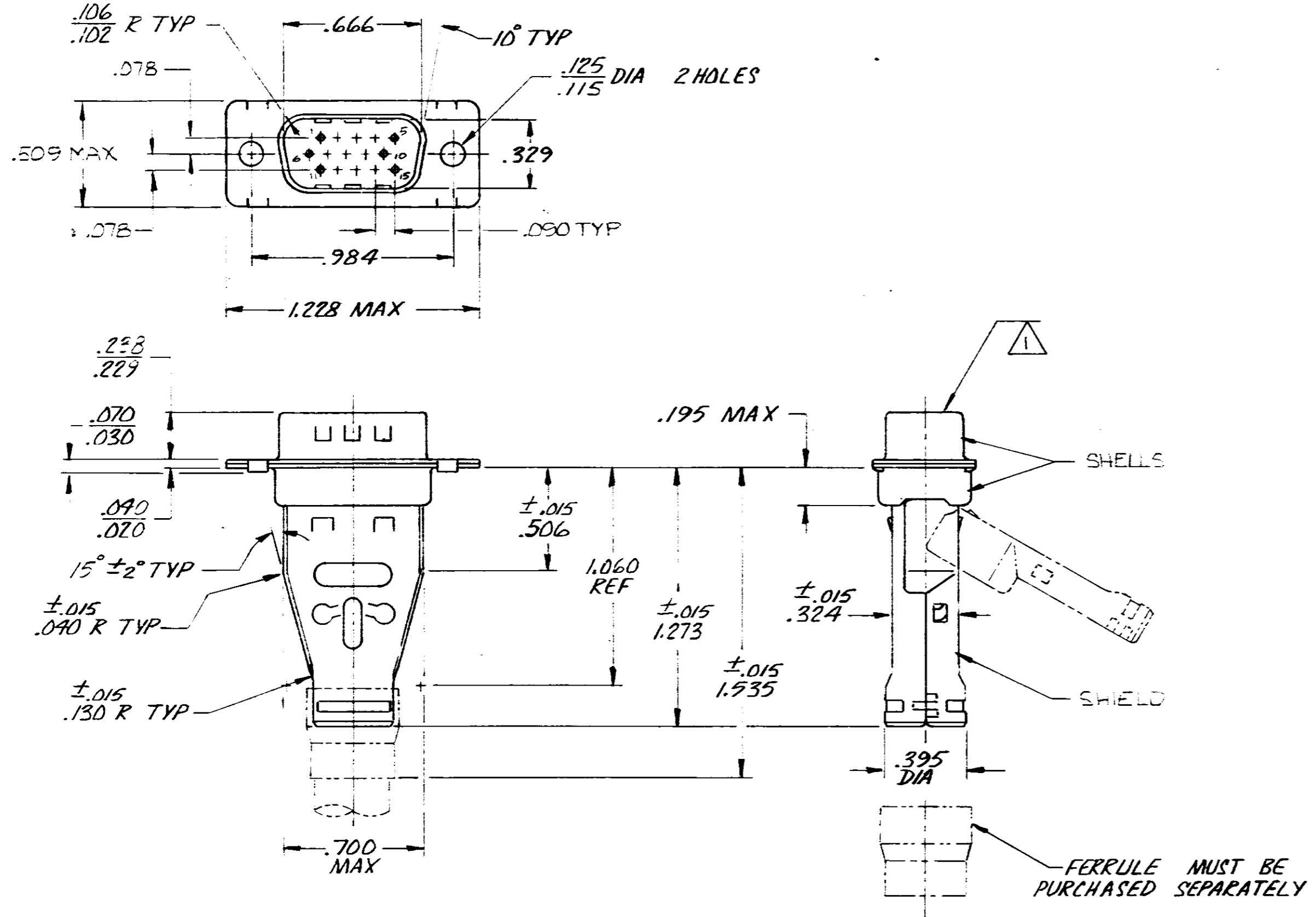
Email & Skype: info@chipsmall.com Web: www.chipsmall.com

Address: A1208, Overseas Decoration Building, #122 Zhenhua RD., Futian, Shenzhen, China



THIS DRAWING IS UNPUBLISHED. RELEASED FOR PUBLICATION . 19  
© COPYRIGHT 19 BY AMP INCORPORATED, HARRISBURG, PA. ALL INTERNATIONAL RIGHTS RESERVED. AMP PRODUCTS MAY BE COVERED BY U.S. AND FOREIGN PATENTS AND/OR PATENTS PENDING.

REVISIONS						
P	F	ZONE	LTR	DESCRIPTION	DATE	APPROVED
				0 RELEASED - WAS 36-5518-1		



1. PLUG ACCEPTS SIZE 22 PIN CONTACTS (CONTACTS MUST BE ORDERED SEPARATELY).
2. ALL PARTS SHIPPED UNASSEMBLED, EACH PART INDIVIDUALLY BULK PACKED.
3. FLAME RETARDANT 94 V-0 RATED GLASS FILLED NYLON OR POLYESTER, COLOR: BLACK.

UNLESS OTHERWISE SPECIFIED DIMENSIONS ARE IN INCHES. TOLERANCES ON: DECIMALS ± .005 ANGLES ± 0° 30'		CONTRACT NO		AMP INCORPORATED Harrisburg, Pa. 17105	
MATERIAL INSERT: $\Delta$ SHELLS & SHIELDS: CS PER ASTM A109		DR <i>Robert</i> 3/12/57		NAME KIT, PLUG, SHIELDING HARDWARE, 5 POSN, SIZE 1, AMPLIMITE® HDP-22	
FINISH SHELLS AND SHIELDS: TIN PLATED PER MIL-T-10727		CHK <i>Walden</i> 3/1/57		DRAWING NO 748468	
		APPD <i>D. Neely</i> 3/10/57		FSCM NO 00779	
		APPD <i>Kumar</i> 5/18/57		SCALE 2:1	
		DSGN APPD		SHEET 1 OF 1	
		OTHER APPD			

748468