



Chipsmall Limited consists of a professional team with an average of over 10 year of expertise in the distribution of electronic components. Based in Hongkong, we have already established firm and mutual-benefit business relationships with customers from,Europe,America and south Asia,supplying obsolete and hard-to-find components to meet their specific needs.

With the principle of “Quality Parts,Customers Priority,Honest Operation,and Considerate Service”,our business mainly focus on the distribution of electronic components. Line cards we deal with include Microchip,ALPS,ROHM,Xilinx,Pulse,ON,Everlight and Freescale. Main products comprise IC,Modules,Potentiometer,IC Socket,Relay,Connector.Our parts cover such applications as commercial,industrial, and automotives areas.

We are looking forward to setting up business relationship with you and hope to provide you with the best service and solution. Let us make a better world for our industry!



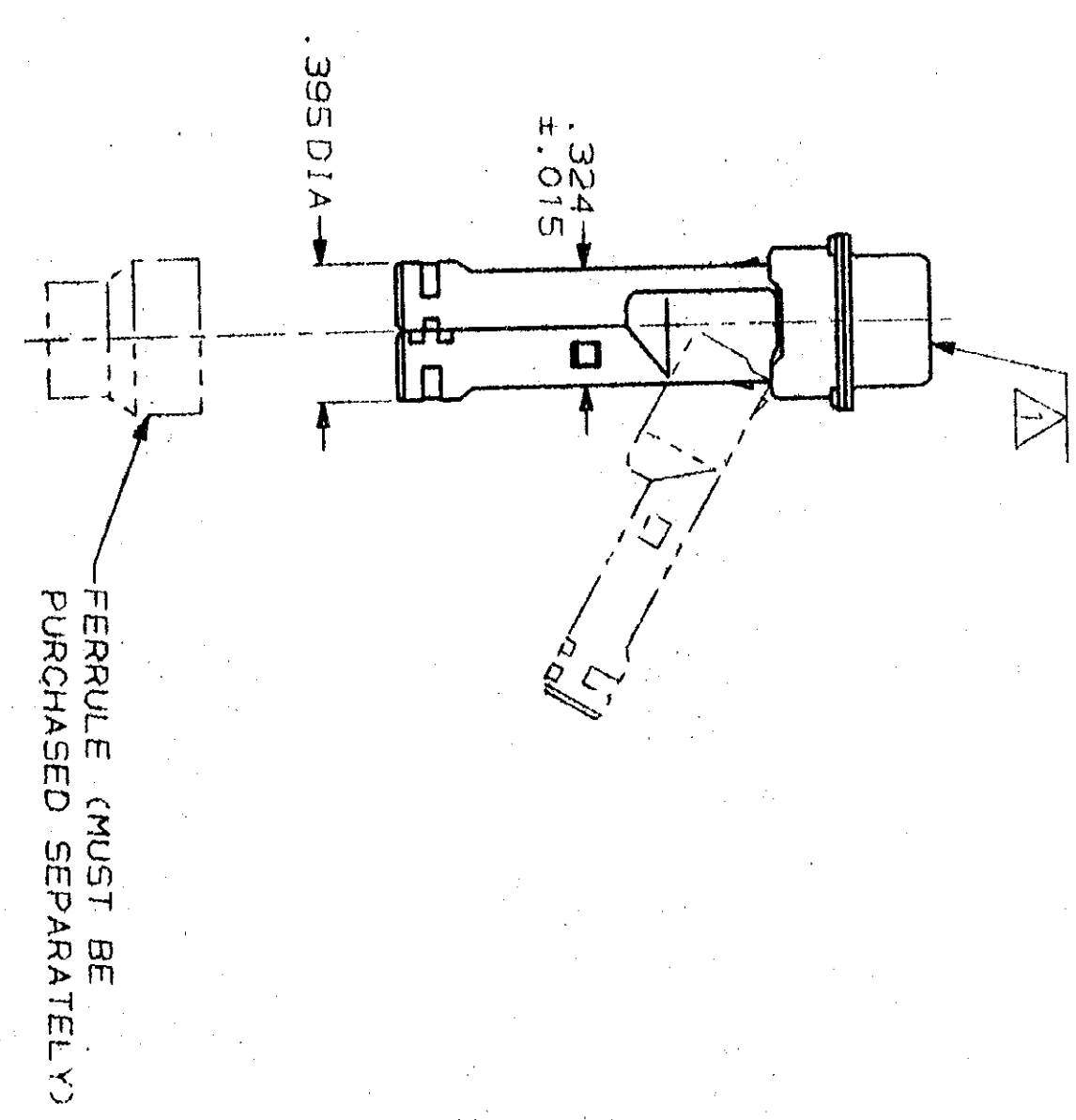
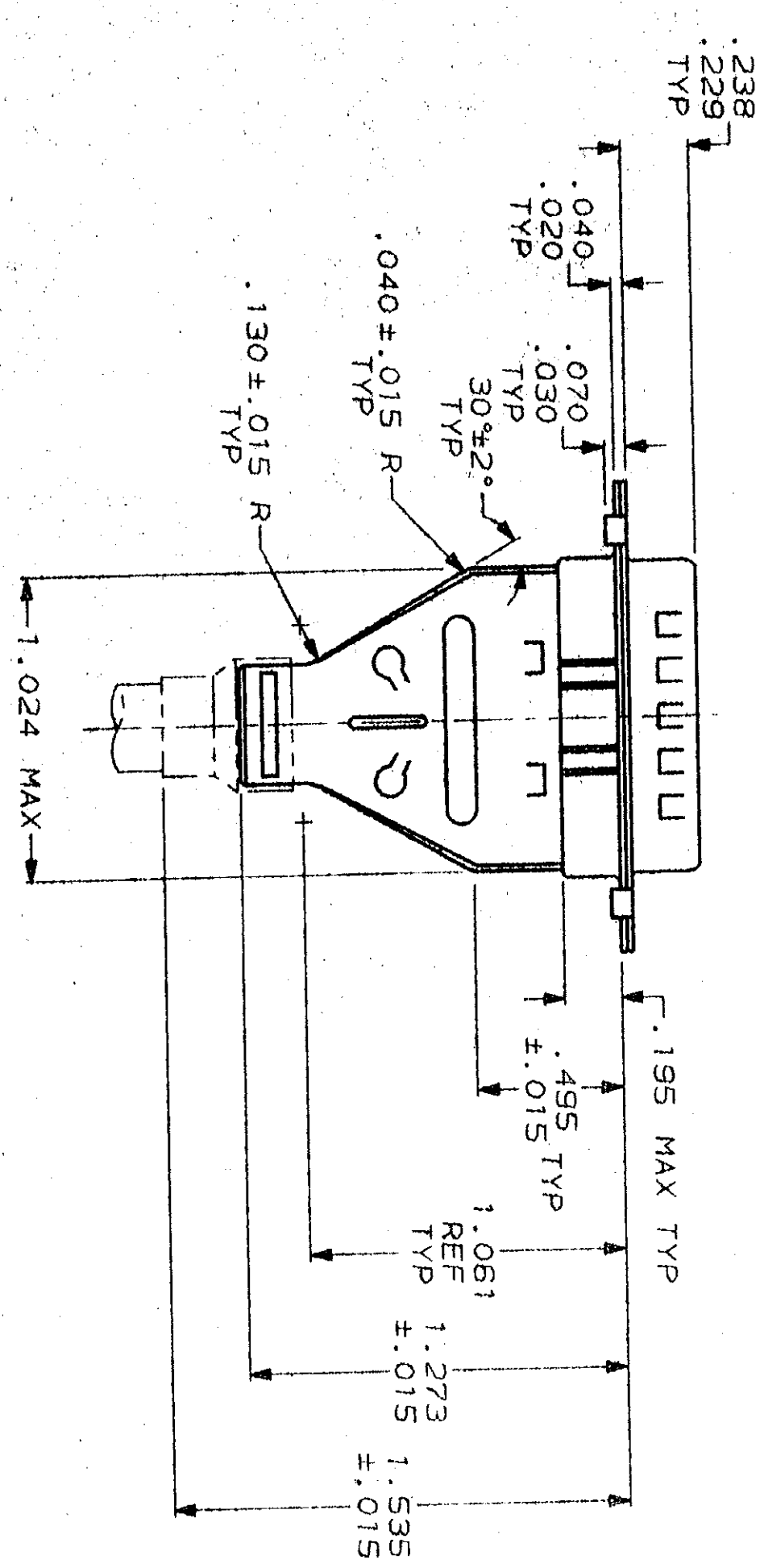
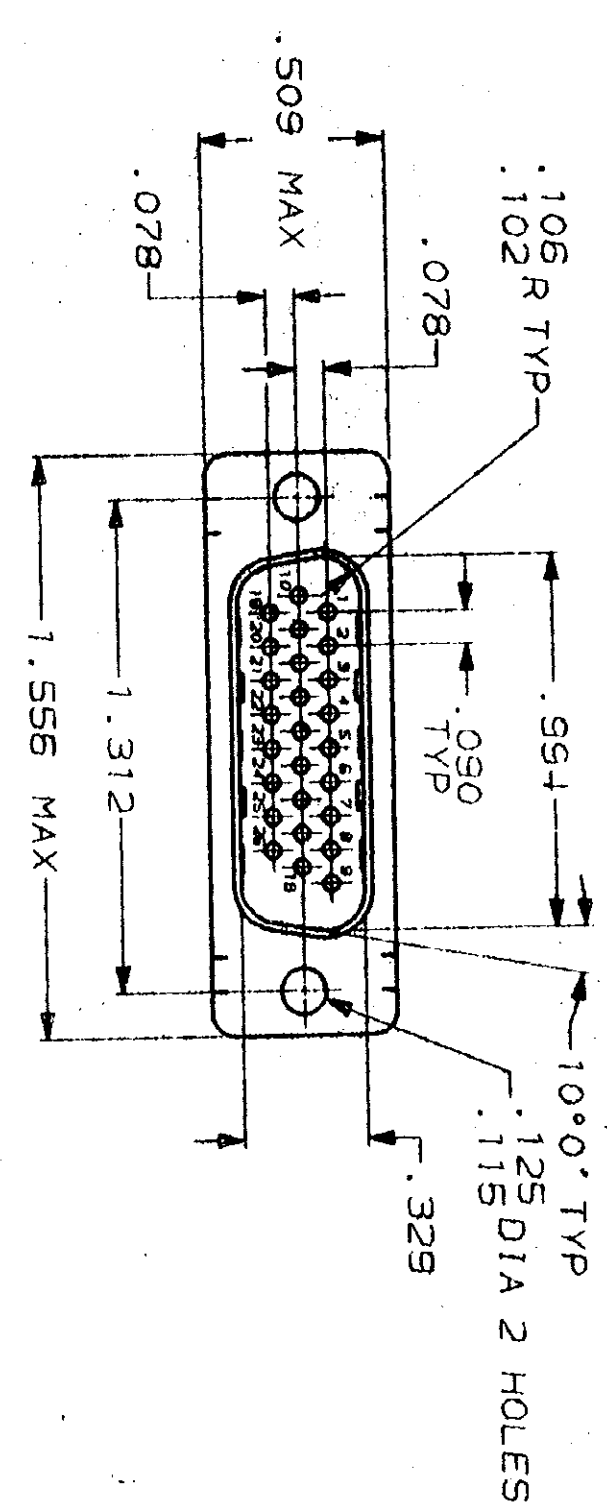
Contact us

Tel: +86-755-8981 8866 Fax: +86-755-8427 6832

Email & Skype: info@chipsmall.com Web: www.chipsmall.com

Address: A1208, Overseas Decoration Building, #122 Zhenhua RD., Futian, Shenzhen, China





- 1. PLUG ACCEPTS SIZE 22 PIN CONTACTS (CONTACTS MUST BE ORDERED SEPARATELY).
- 2. ALL PARTS SHIPPED UNASSEMBLED, EACH PART INDIVIDUALLY BULK PACKED.
- 3. FLAME RETARDANT 94V-0 GLASS FILLED NYLON, BLACK.

REV	DATE	DESCRIPTION
2	BD 39	REDRAWN AND REV EGN B05049

DO NOT SCALE PRINT. DIMENSIONS SPECIFIED UNLESS SPECIFIED OTHERWISE IN INCHES. TOLERANCES ON: 1. DIMS ± .005 2. PLG DEC ± .005 3. PLG DEC ± 0°30' ANGLES	DR 7-3-91 R. SHIREY 8-2-91	NAME
MATERIAL HOUSING: 3 SHELLS: CS PER ASTM A109 SHIELDS: STEEL PER ASTM A109	APPD 8-1-91	AMP INCORPORATED Mortgage, Pa. 17105
FINISH SHELLS & SHIELDS: TIN PLATED PER MIL-T-10722	APPLICATION SPEC	KIT, PLUG, SHIELDING HARDWARE, SIZE 2, 26 POSN, HDP-22, AMPLIMIT™
WEIGHT	SCALE 2:1	FSCM NO 00779 DRAWING NO 748469 SHEET 1 OF 1

748469-1
PART NUMBER

CUSTOMER DRAWING