



Chipsmall Limited consists of a professional team with an average of over 10 year of expertise in the distribution of electronic components. Based in Hongkong, we have already established firm and mutual-benefit business relationships with customers from,Europe,America and south Asia,supplying obsolete and hard-to-find components to meet their specific needs.

With the principle of “Quality Parts,Customers Priority,Honest Operation,and Considerate Service”,our business mainly focus on the distribution of electronic components. Line cards we deal with include Microchip,ALPS,ROHM,Xilinx,Pulse,ON,Everlight and Freescale. Main products comprise IC,Modules,Potentiometer,IC Socket,Relay,Connector.Our parts cover such applications as commercial,industrial, and automotives areas.

We are looking forward to setting up business relationship with you and hope to provide you with the best service and solution. Let us make a better world for our industry!



## Contact us

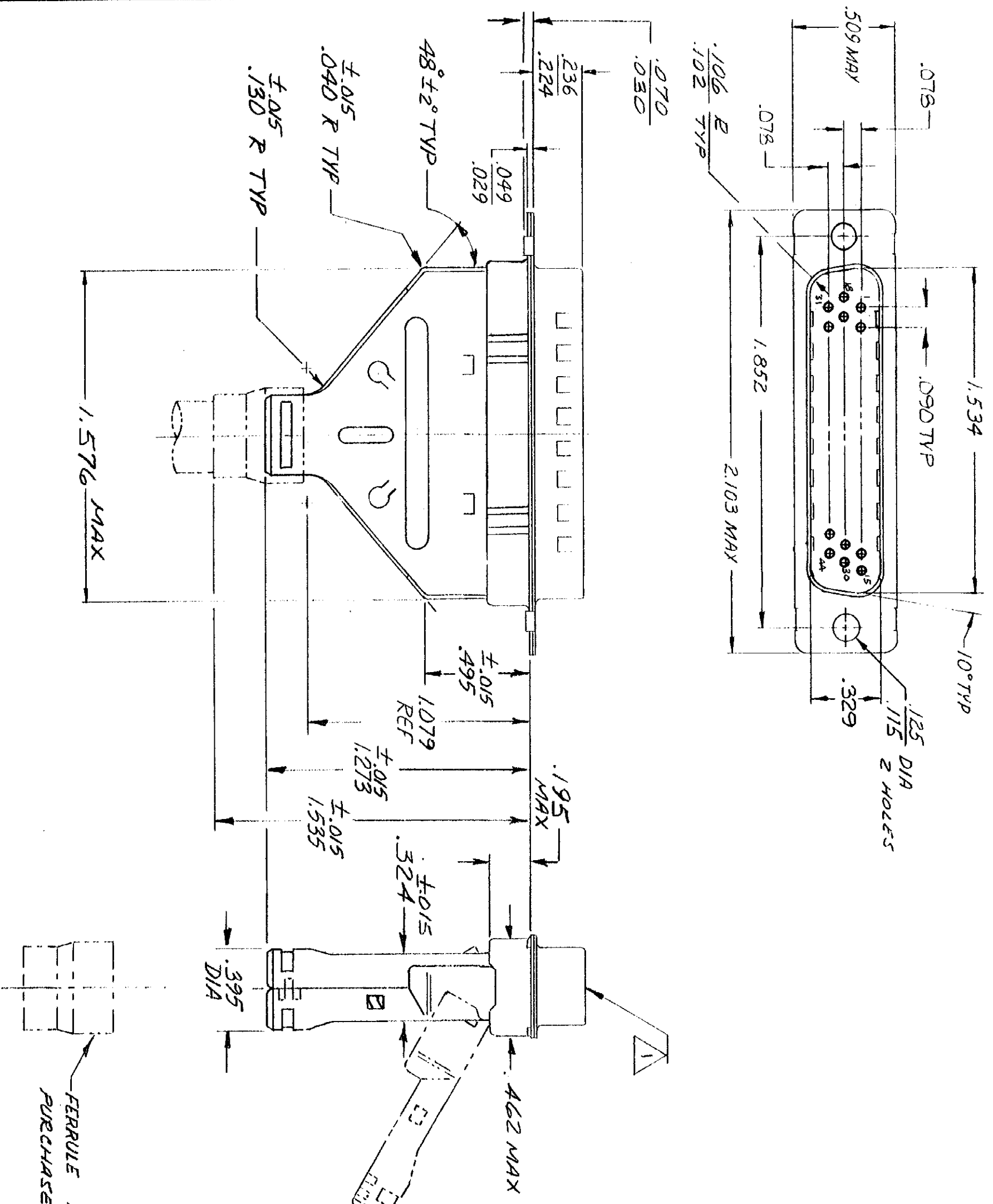
Tel: +86-755-8981 8866 Fax: +86-755-8427 6832

Email & Skype: info@chipsmall.com Web: www.chipsmall.com

Address: A1208, Overseas Decoration Building, #122 Zhenhua RD., Futian, Shenzhen, China



THIS DRAWING IS UNPUBLISHED. RELEASED FOR PUBLICATION  
 © COPYRIGHT 19 BY AMP INCORPORATED, HARRISBURG, PA. ALL INTERNATIONAL RIGHTS RESERVED. AMP PRODUCTS MAY BE COVERED BY U.S. AND FOREIGN PATENTS AND/OR PATENTS PENDING.



REV	DATE	APPROVED	DESCRIPTION
1	8/24/90		RELEASED WAS 86-5518-3
2			REV PER ECN 0D 4244

748470-1  
PART NO

UNLESS OTHERWISE SPECIFIED DIMENSIONS ARE IN INCHES. TOLERANCES ON: DECIMALS ±.005 ANGLES ±0°30'		CONTRACT NO	
MATERIAL HOUSING: A SHELLS: CS PER ASTM A109 SHIELDS: STEEL PER ASTM A109		DR 4/28/87 CHK Richard 4/30/87	
FINISH SHIELDS AND SHIELDS: TIN PLATED PER MIL-T-10727		APPD D.N.C. 4/30/87	
		APPD V.Kumar 4/30/87	
		DSGN APPD	
		OTHER APPD	
AMP   AMP INCORPORATED HARRISBURG, PA. 17105		NAME	
KIT, PLUG, SHIELDING HARDWARE 44 POSN, SIZE 3, AMPLIMITE® HDP-22		SIZE	
SCALE 2:1		FSCM NO 00779	
		DRAWING NO 748470	
		SHEET 1 of 1	