



Chipsmall Limited consists of a professional team with an average of over 10 year of expertise in the distribution of electronic components. Based in Hongkong, we have already established firm and mutual-benefit business relationships with customers from,Europe,America and south Asia,supplying obsolete and hard-to-find components to meet their specific needs.

With the principle of “Quality Parts,Customers Priority,Honest Operation,and Considerate Service”,our business mainly focus on the distribution of electronic components. Line cards we deal with include Microchip,ALPS,ROHM,Xilinx,Pulse,ON,Everlight and Freescale. Main products comprise IC,Modules,Potentiometer,IC Socket,Relay,Connector.Our parts cover such applications as commercial,industrial, and automotives areas.

We are looking forward to setting up business relationship with you and hope to provide you with the best service and solution. Let us make a better world for our industry!



Contact us

Tel: +86-755-8981 8866 Fax: +86-755-8427 6832

Email & Skype: info@chipsmall.com Web: www.chipsmall.com

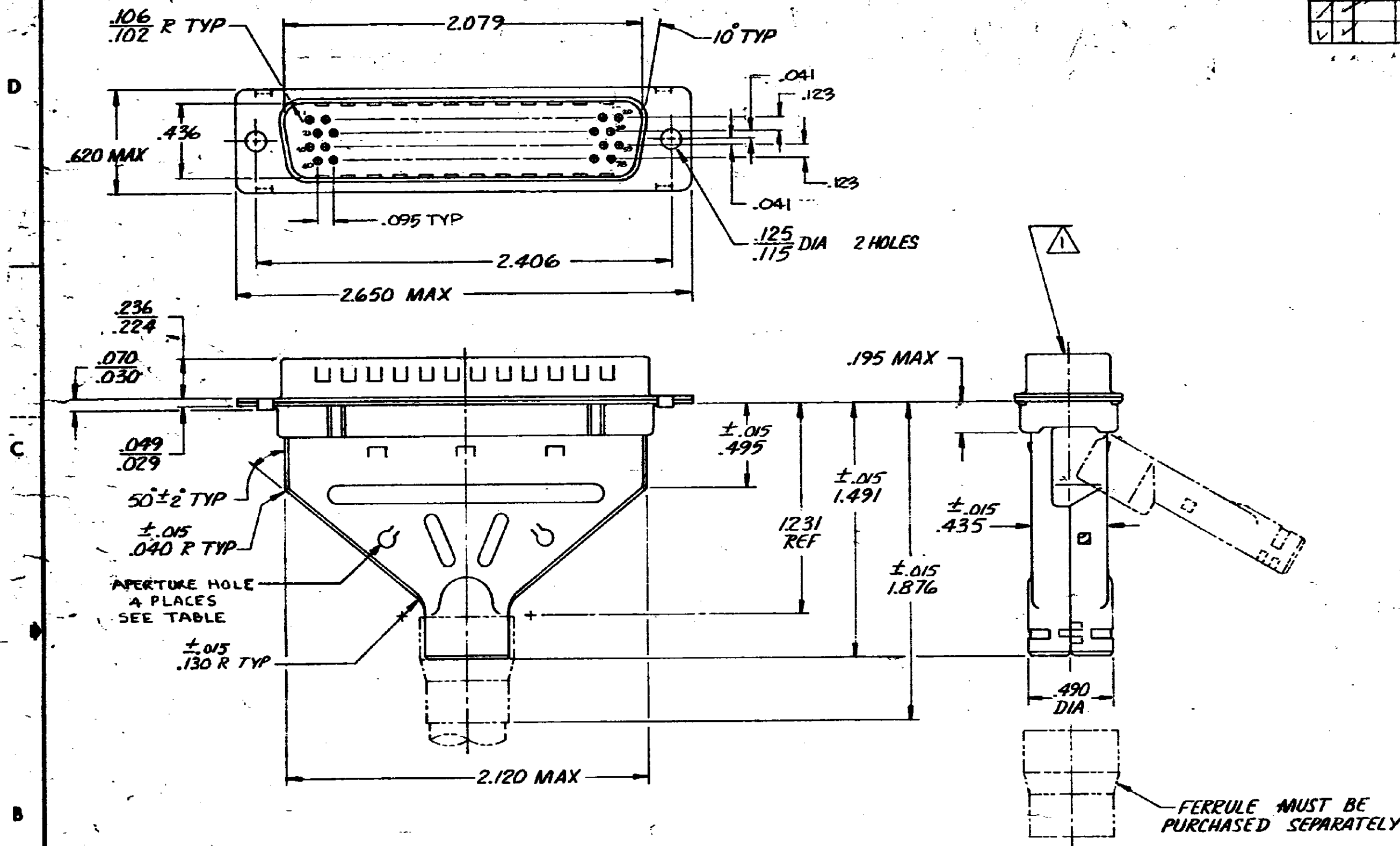
Address: A1208, Overseas Decoration Building, #122 Zhenhua RD., Futian, Shenzhen, China



DRAWING MADE IN THIRD ANGLE PROJECTION

THIS DRAWING IS UNPUBLISHED. RELEASED FOR PUBLICATION 19
 © COPYRIGHT 19 BY AMP INCORPORATED, HARRISBURG, PA. ALL INTERNATIONAL RIGHTS RESERVED. AMP PRODUCTS MAY BE COVERED BY U.S. AND FOREIGN PATENTS AND/OR PATENTS PENDING.

| REVISIONS | | | | | |
|-----------|---|------|---|---------|----------|
| P | F | ZONE | DESCRIPTION | DATE | APPROVED |
| D | | | RELEASED WAS 88-5518-5 | | |
| A | | | REV PER ECN 804294 | 9-24-89 | |
| B | | | RELEASED - 2, APR 3826 WPS 91-5518-11.1 | 2-18-91 | TMS |



- 1 PLUG ACCEPTS SIZE 22 PIN CONTACTS (CONTACTS MUST BE ORDERED SEPARATELY).
- 2 ALL PARTS SHIPPED UNASSEMBLED. EACH PART INDIVIDUALLY BULK PACKED.
- 3 FLAME RETARDANT 94V-0 RATED GLASS-FILLED NYLON, COLOR: BLACK.

| | |
|---------------|----------|
| WITHOUT | 748472-2 |
| WITH | 748472-1 |
| APERTURE HOLE | PART NO |

| | | | | | |
|--|-------------|-----------------|---|---|------------|
| UNLESS OTHERWISE SPECIFIED DIMENSIONS ARE IN INCHES. TOLERANCES ON: DECIMALS ± .005 ANGLES ± 0° 30' | CONTRACT NO | | AMP AMP INCORPORATED Harrisburg, Pa. 17106 | | |
| | DR | 4-28-87 | | | |
| | CHK | Richard 4-30-87 | NAME | KIT, PLUG, SHIELDING HARDWARE, 78 POSN, SIZE 5, AMPLIMITE® HDP-22 | |
| | APRD | D.N.C. 4-30-87 | APPD | | |
| MATERIAL HOUSING: A SHELLS: CS PER ASTM A109 SHIELDS: STEEL PER ASTM A109 | DSGN APPD | OTHER APPD | SIZE | FSCM NO | DRAWING NO |
| FINISH SHELLS AND SHIELDS: TIN PLATED PER MIL-T-10727 | | | C | 00779 | 748472 |
| | | | SCALE | 2:1 | SHEET |
| | | | | | 1 of 1 |

AMP 1471-S REV 2-81

CUSTOMER DRAWING