



Chipsmall Limited consists of a professional team with an average of over 10 year of expertise in the distribution of electronic components. Based in Hongkong, we have already established firm and mutual-benefit business relationships with customers from,Europe,America and south Asia,supplying obsolete and hard-to-find components to meet their specific needs.

With the principle of “Quality Parts,Customers Priority,Honest Operation,and Considerate Service”,our business mainly focus on the distribution of electronic components. Line cards we deal with include Microchip,ALPS,ROHM,Xilinx,Pulse,ON,Everlight and Freescale. Main products comprise IC,Modules,Potentiometer,IC Socket,Relay,Connector.Our parts cover such applications as commercial,industrial, and automotives areas.

We are looking forward to setting up business relationship with you and hope to provide you with the best service and solution. Let us make a better world for our industry!



Contact us

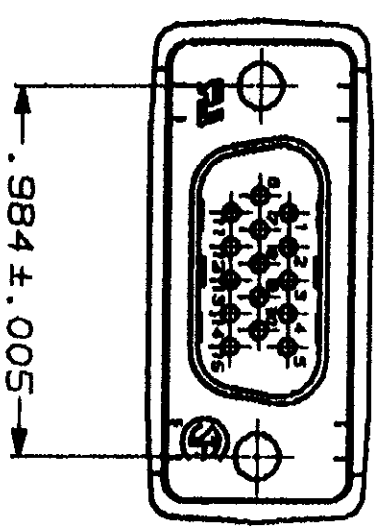
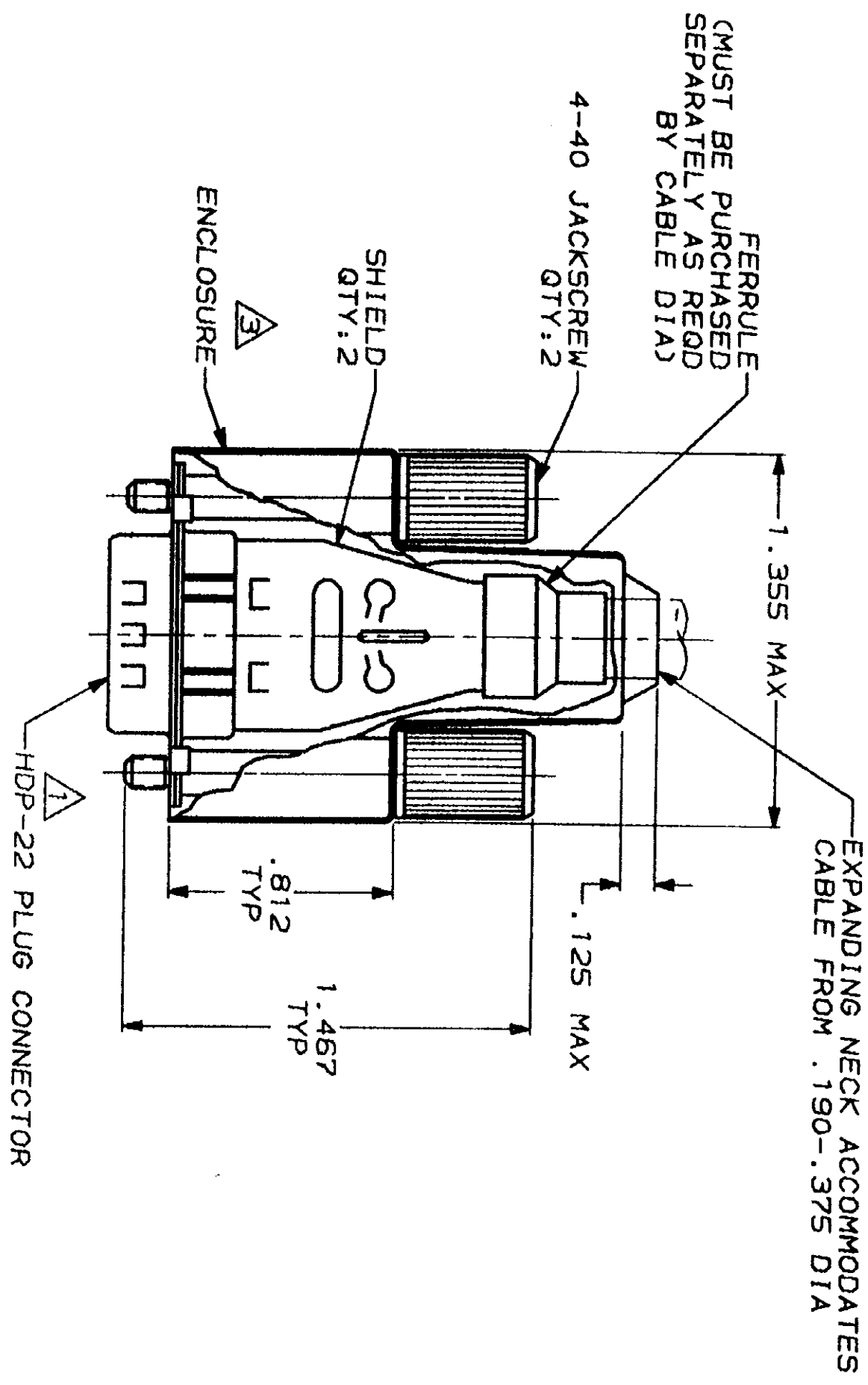
Tel: +86-755-8981 8866 Fax: +86-755-8427 6832

Email & Skype: info@chipsmall.com Web: www.chipsmall.com

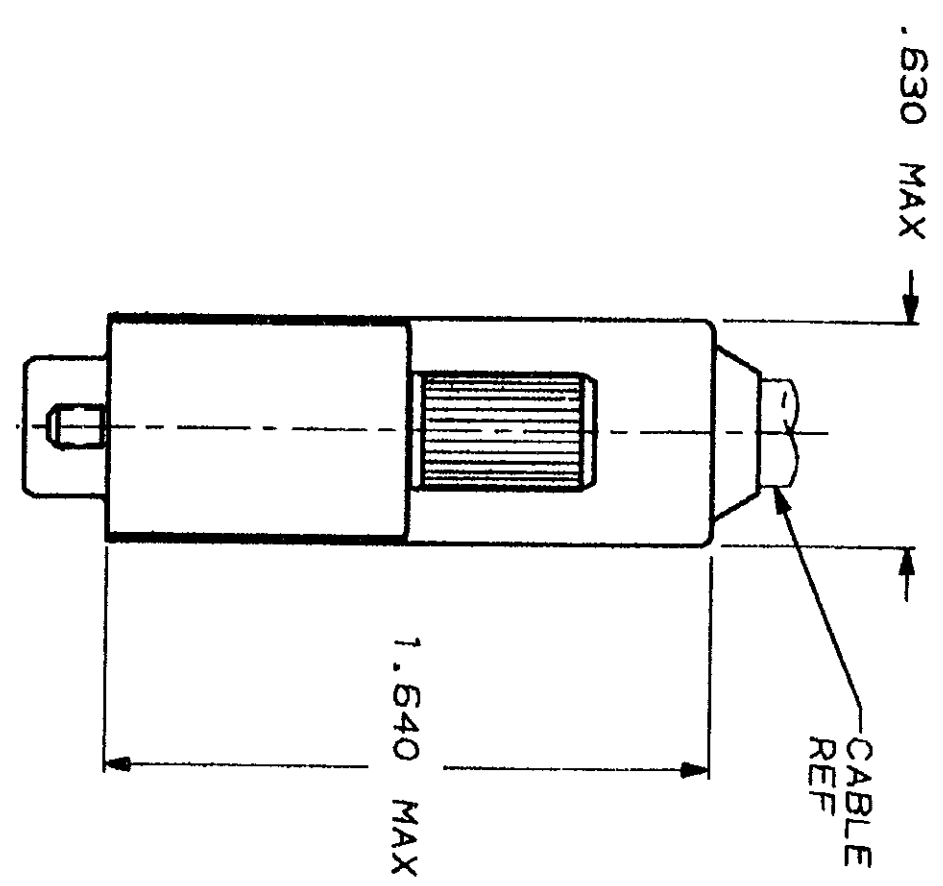
Address: A1208, Overseas Decoration Building, #122 Zhenhua RD., Futian, Shenzhen, China



MOD	ECO	DIS	ZONE	LTR	DESCRIPTION	DATE	APPD
2	BD	39			REVISIONS		
				E	REDRAWN AND REV ECN B05049	7-3-91	TMS
				F	REVISED PER ECN B06133	04/02/92	TMS



1. PLUG ACCEPTS SIZE 22 DF PIN CONTACTS. CONTACTS MUST BE PURCHASED SEPARATELY.
2. ALL PARTS SHIPPED UNASSEMBLED.
3. FLAME RETARDANT 94V-0 RATED, STYRENE POLYOLEFIN OR PVC, BLACK.
4. FLAME RETARDANT 94V-0 RATED GLASS FILLED, NYLON OR POLYESTER, BLACK.
5. STEEL PER ASTM A109.
6. TIN PLATING PER MIL-T-10727.
7. ZINC PLATING PER ASTM B633, TYPE II, CLASS SCI, BLACK CHROMATE.
8. COMPONENTS INDIVIDUALLY BULK PACKED.
9. INDIVIDUAL KIT PACKAGING OF COMPONENTS.



OBSELETE	748473-2
	748473-1
PACKAGING	PART NUMBER

DO NOT SCALE PRINT. UNLESS SPECIFIED DIMENSIONS IN INCHES TOLERANCES ON:	DR 7-3-91 R. SHIREY	NAME	SHIELDING ENCLOSURE KIT, PLUG, SIZE 1, 15 POSN, HDP-22, AMPLIMIT TM
1. LOC DEC #	CHK 8-2-91 R. STONE	APPD 8-7-91 J. ASSINI	
2. LOC DEC #	APPD 8-5-91 T. M. SPANGLER	PRODUCT SPEC	
3. LOC DEC #		APPLICATION SPEC	
ANGLES		WEIGHT	
MATERIAL		SCALE	C 00779
INSERT, JACKSCREWS, ZINC ALLOY		SIZE	F3CH NO 748473
SHELLS & SHIELDS, JACKSCREWS, ZINC ALLOY		DRAWING NO	748473
		SHEET	1 OF 1