



Chipsmall Limited consists of a professional team with an average of over 10 year of expertise in the distribution of electronic components. Based in Hongkong, we have already established firm and mutual-benefit business relationships with customers from,Europe,America and south Asia,supplying obsolete and hard-to-find components to meet their specific needs.

With the principle of “Quality Parts,Customers Priority,Honest Operation,and Considerate Service”,our business mainly focus on the distribution of electronic components. Line cards we deal with include Microchip,ALPS,ROHM,Xilinx,Pulse,ON,Everlight and Freescale. Main products comprise IC,Modules,Potentiometer,IC Socket,Relay,Connector.Our parts cover such applications as commercial,industrial, and automotives areas.

We are looking forward to setting up business relationship with you and hope to provide you with the best service and solution. Let us make a better world for our industry!



Contact us

Tel: +86-755-8981 8866 Fax: +86-755-8427 6832

Email & Skype: info@chipsmall.com Web: www.chipsmall.com

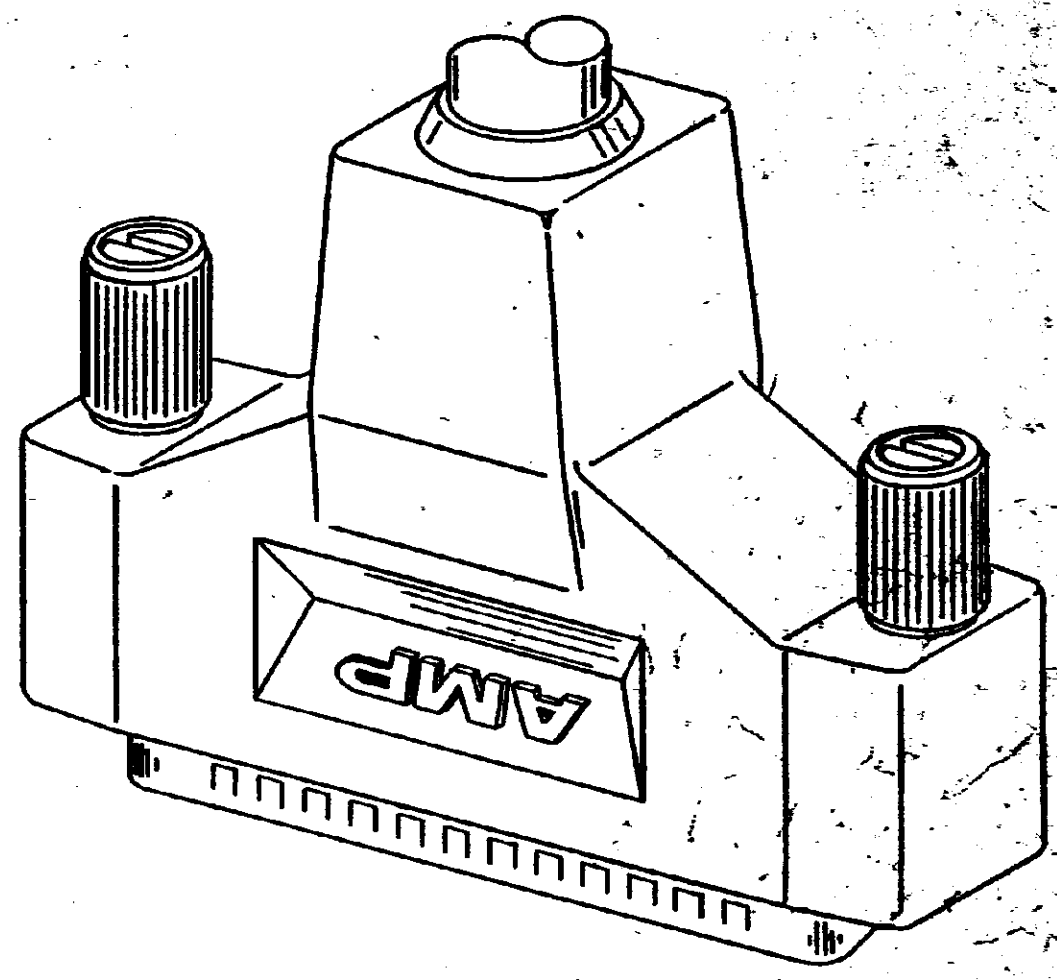
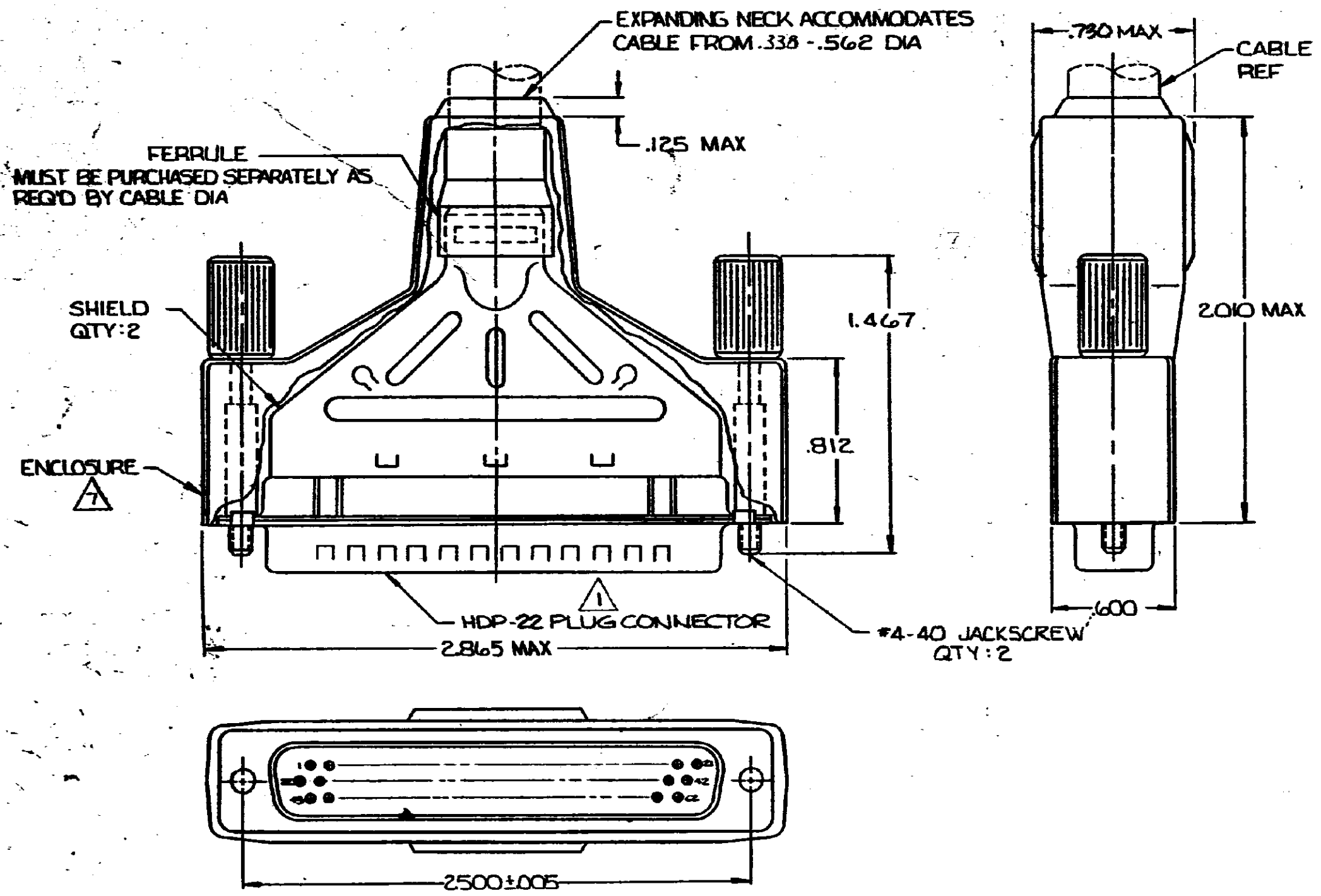
Address: A1208, Overseas Decoration Building, #122 Zhenhua RD., Futian, Shenzhen, China



DRAWING MADE IN THIRD ANGLE PROJECTION

THIS DRAWING IS UNPUBLISHED. RELEASED FOR PUBLICATION. 19
 COPYRIGHT 19 BY AMP INCORPORATED, HARRISBURG, PA. ALL INTERNATIONAL RIGHTS RESERVED. AMP PRODUCTS MAY BE COVERED BY U.S. AND FOREIGN PATENTS AND/OR PATENTS PENDING.

REVISIONS				
P	F	ZONE/LTR	DESCRIPTION	DATE APPROVED
Q			RELEASED, WAS 86-5520-4	
A			REVISED - ECN B02607	7-31-87 (RW)
B			REVISED - ECN BD 2645	7-30-88 (RW)
C			REV PER ECN BD 2328	2-17-88 (RW)
D			REV PER ECN BD 4457	12-10-90
E			REVISED PER ECN B06133	4-6-92 TMS



- 1. PLUG ACCEPTS SIZE 22 DF PIN CONTACTS, CONTACTS MUST BE PURCHASED SEPARATELY.
- 2. ALL PARTS SHIPPED UNASSEMBLED, EACH PART INDIVIDUALLY BULK PACKED.
- 3. FLAME RETARDANT 94V-0 RATED, GLASS FILLED, NYLON OR POLYESTER, COLOR: BLACK.
- 4. STEEL PER ASTM A109.
- 5. TIN PLATING PER MIL-T-10727.
- 6. ZINC PLATING PER ASTM B633, TYPE II, CLASS SC1, BLACK CHROMATE.
- 7. FLAME RETARDANT 94 V-0 RATED, STYRENE POLYOLEFIN OR PVC, BLACK.

UNLESS OTHERWISE SPECIFIED DIMENSIONS ARE IN INCHES.		CONTRACT NO		748476-1	
TOLERANCES ON: DECIMALS ± .020 ANGLES ± .020		OR 3-10-87		PART NO	
MATERIAL INSERT: A SHELLS & SHIELDS: A JACKSCREWS: ZINC ALLOY		DESIGN APPD 3/11/87		AMP AMP INCORPORATED Harrisburg, Pa. 17105	
FINISH SHELLS & SHIELDS: A JACKSCREWS: A		OTHER APPD		NAME SHIELDING ENCLOSURE KIT, PLUG, SIZE 4, 62 POSN, AMPLIMITE® HDP-22	
		SIZE		DRAWING NO	
		C		00779 748476	
		SCALE 2:1		SHEET 1 OF 1	

CUSTOMER DRAWING