



Chipsmall Limited consists of a professional team with an average of over 10 year of expertise in the distribution of electronic components. Based in Hongkong, we have already established firm and mutual-benefit business relationships with customers from,Europe,America and south Asia,supplying obsolete and hard-to-find components to meet their specific needs.

With the principle of "Quality Parts,Customers Priority,Honest Operation,and Considerate Service",our business mainly focus on the distribution of electronic components. Line cards we deal with include Microchip,ALPS,ROHM,Xilinx,Pulse,ON,Everlight and Freescale. Main products comprise IC,Modules,Potentiometer,IC Socket,Relay,Connector.Our parts cover such applications as commercial,industrial, and automotives areas.

We are looking forward to setting up business relationship with you and hope to provide you with the best service and solution. Let us make a better world for our industry!



Contact us

Tel: +86-755-8981 8866 Fax: +86-755-8427 6832

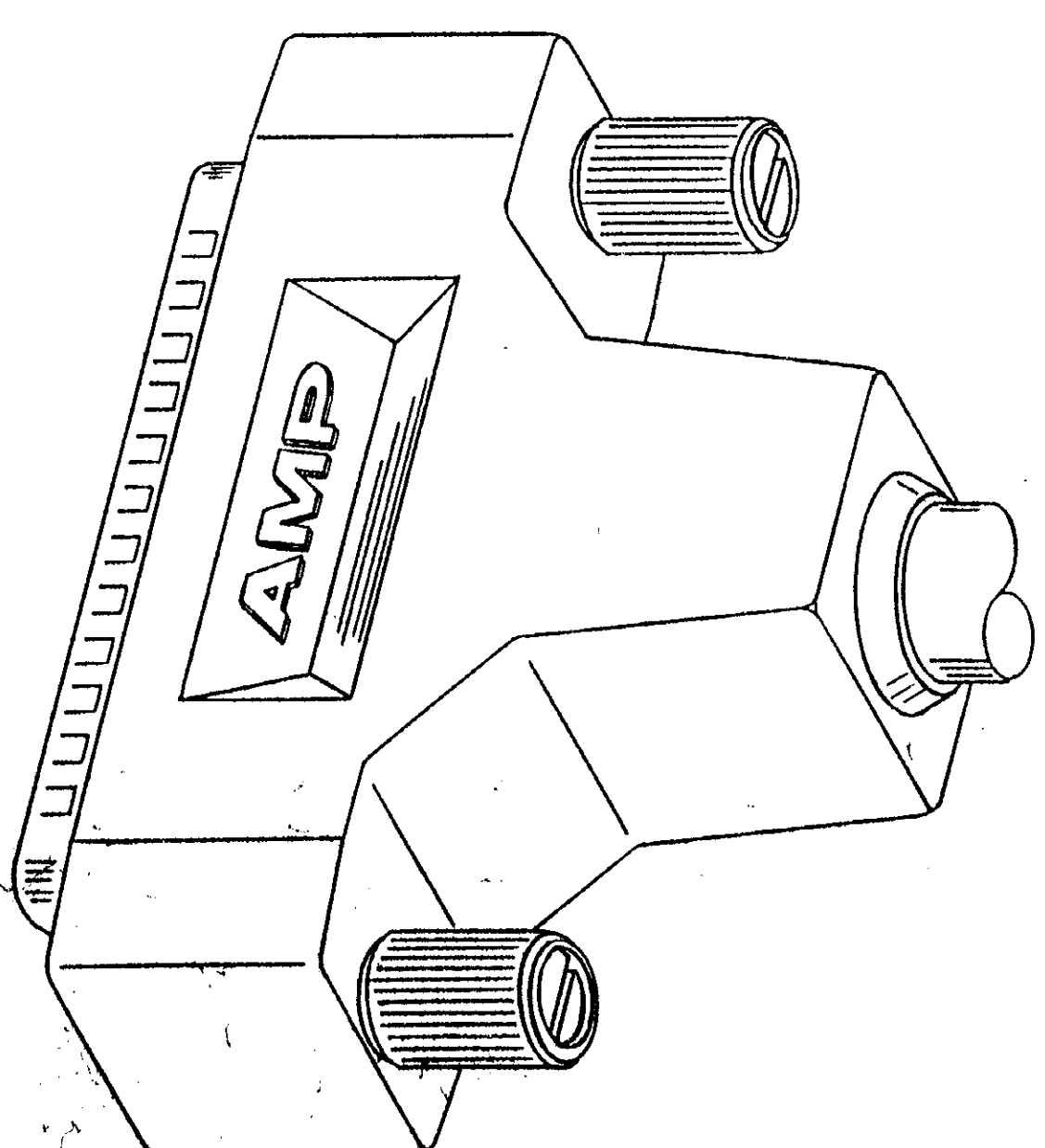
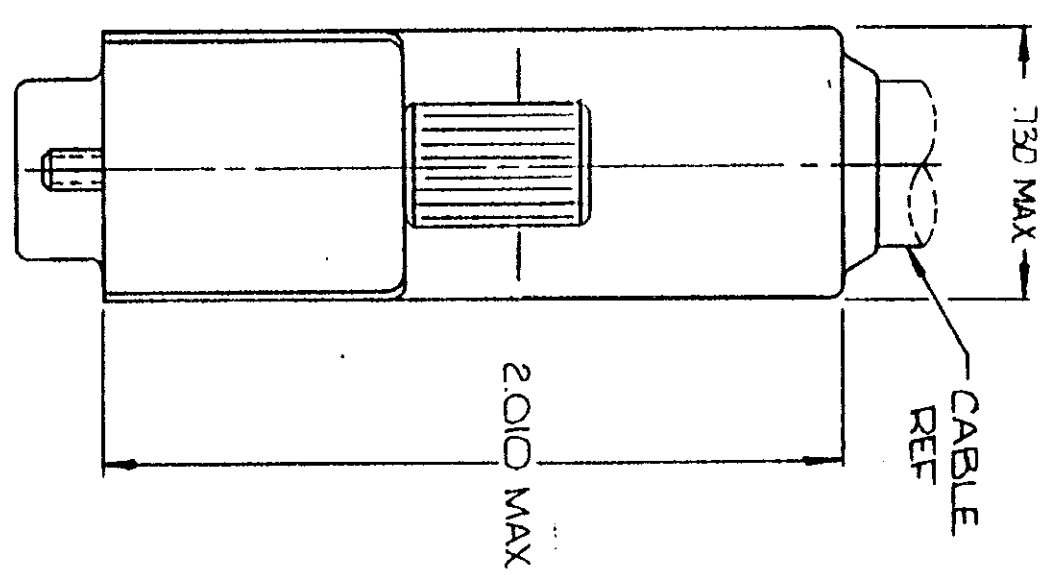
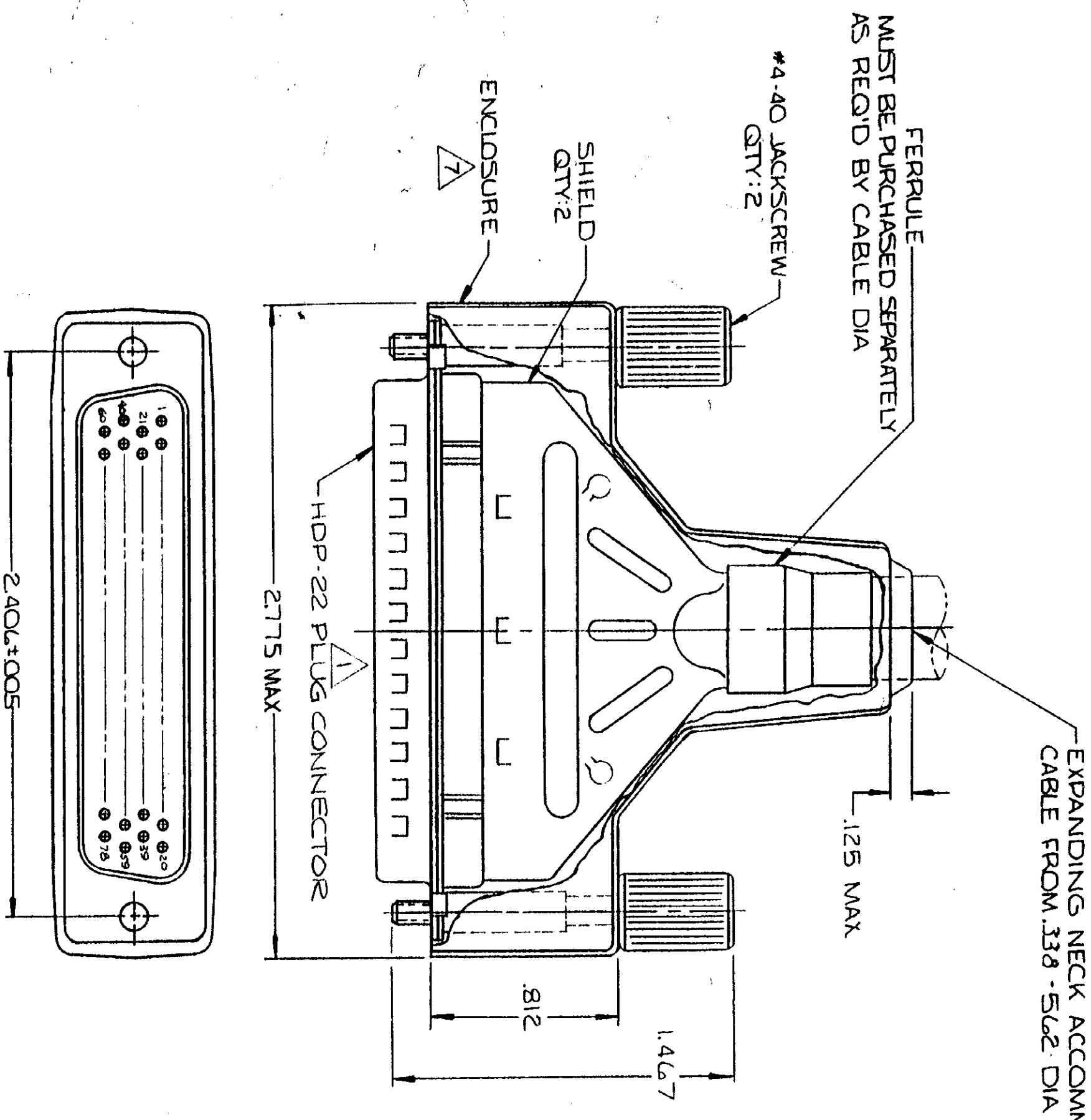
Email & Skype: info@chipsmall.com Web: www.chipsmall.com

Address: A1208, Overseas Decoration Building, #122 Zhenhua RD., Futian, Shenzhen, China



THIS DRAWING IS UNPUBLISHED. RELEASED FOR PUBLICATION 19
 COPYRIGHT 19 BY AMP INCORPORATED, HARRISBURG, PA. ALL INTERNATIONAL RIGHTS RESERVED. AMP PRODUCTS MAY BE COVERED BY U.S. AND FOREIGN PATENTS AND/OR PATENTS PENDING.

REVISIONS		DATE	APPROVED
P F ZONE	LTR	DESCRIPTION	
0		RELEASED WAS 86-5520-5	
A		REVISED - ECN BD2607	11/30/88 EW
B		REV PER ECN BD2328	2/17/89 RW
C		REV PER ECN BD4294	4-24-90
D		REVISED PER ECN BD6133	4/6/92 TMS



1. PLUG ACCEPTS SIZE 22 DFP PIN CONTACTS, CONTACTS MUST BE PURCHASED SEPARATELY.
2. ALL PARTS SHIPPED UNASSEMBLED, EACH PART INDIVIDUALLY BULK PACKED.
3. FLAME RETARDANT 94V-0 RATED, GLASS-FILLED NYLON, COLOR: BLACK.
4. STEEL PER ASTM A109.
5. TIN PLATING PER MIL-T-10727.
6. ZINC PLATING PER ASTM B633, TYPE II, CLASS SC1, BLACK CHROMATE.
7. FLAME RETARDANT 94V-0 RATED, STYRENE POLYOLEFIN OR PVC, COLOR: BLACK.

UNLESS OTHERWISE SPECIFIED DIMENSIONS ARE IN INCHES. TOLERANCES ON: DECIMALS ± .020 ANGLES		CONTRACT NO	
MATERIAL INSERT: Δ SHELLS & SHIELDS: Δ JACKSCREWS: ZINC ALLOY		DR <i>[Signature]</i> 4-28-97	
FINISH SHELLS & SHIELDS: Δ JACKSCREWS: Δ		CHK <i>[Signature]</i> 4-30-87	
APPROD <i>[Signature]</i> 4/30/87		APPROD <i>[Signature]</i> 4/30/87	
DSGN APPRO		OTHER APPRO	
AMP AMP INCORPORATED HARRISBURG, PA. 17105		NAME SHIELDING ENCLOSURE KIT, PLUG, SIZE 5, 78 POSN, AMPLIMITE® HDP-22	
SIZE	FSCM NO	DRAWING NO	PART NO
C	00779	748477	748477-1
SCALE 2:1		SHEET 1 OF 1	