



Chipsmall Limited consists of a professional team with an average of over 10 year of expertise in the distribution of electronic components. Based in Hongkong, we have already established firm and mutual-benefit business relationships with customers from,Europe,America and south Asia,supplying obsolete and hard-to-find components to meet their specific needs.

With the principle of "Quality Parts,Customers Priority,Honest Operation,and Considerate Service",our business mainly focus on the distribution of electronic components. Line cards we deal with include Microchip,ALPS,ROHM,Xilinx,Pulse,ON,Everlight and Freescale. Main products comprise IC,Modules,Potentiometer,IC Socket,Relay,Connector.Our parts cover such applications as commercial,industrial, and automotives areas.

We are looking forward to setting up business relationship with you and hope to provide you with the best service and solution. Let us make a better world for our industry!



Contact us

Tel: +86-755-8981 8866 Fax: +86-755-8427 6832

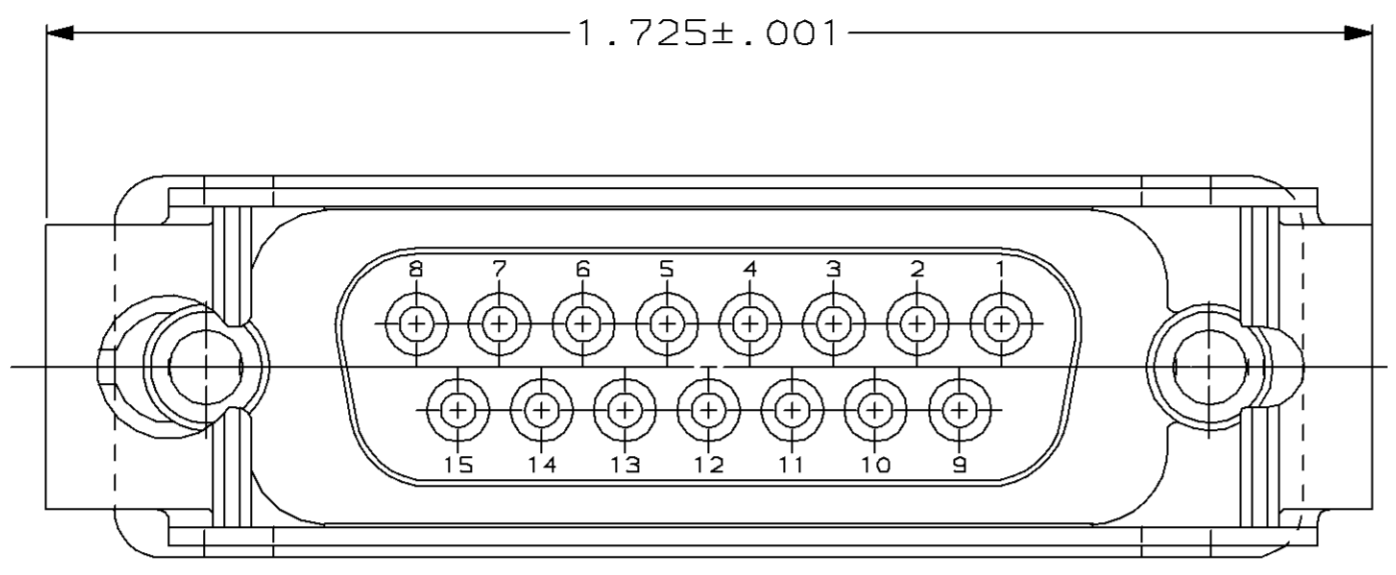
Email & Skype: info@chipsmall.com Web: www.chipsmall.com

Address: A1208, Overseas Decoration Building, #122 Zhenhua RD., Futian, Shenzhen, China



THIS DRAWING IS UNPUBLISHED. RELEASED FOR PUBLICATION ,19 .
 © COPYRIGHT 19 BY AMP INCORPORATED. ALL INTERNATIONAL RIGHTS RESERVED.

LOC	DIST	P	F	ZONE	LTR	DESCRIPTION	DATE	APPD
BD	48				0	RELEASED	-	-
					A	REVISED PER ECN BD3390	12-11-89	-
					B	REV PER EC 0020-972-93	07/27/93	SB



SLIDELATCH
 MATL: STAINLESS STEEL
 QTY: 1

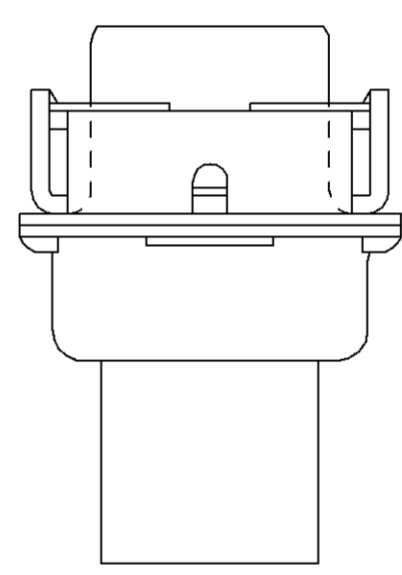
.160 ± .010

EYELET
 MTL: BRASS
 FINISH: BRIGHT TIN
 QTY: 2

MATING FACE

RECEPTACLE CONNECTOR
 P/N: 205205-2
 QTY: 1

AMP, 205205-2 & DATE CODE, MARKED
 IN AREA INDICATED, ON FAR SIDE



748507-1

PART NO

DO NOT SCALE PRINT. UNLESS SPECIFIED DIMENSIONS IN INCHES TOLERANCES ON :	DR 10-29-87 L.SIPE	AMP INCORPORATED Harrisburg, Pa. 17105
2 PLC DEC ± - 3 PLC DEC ± - ANGLES ± -	CHK 11-2-87 C.RICHARD	
MATERIAL	APPD 11-4-87 S.SCHIEFERLY	NAME
SEE CALLOUTS	APPD 1-29-88 V.KUMAR	RECEPTACLE ASSEMBLY, SIZE 2, 15 POSN, W/ SLIDELATCH, AMPLIMITE® HDP-20
FINISH	APPLICATION SPEC	SIZE
SEE CALLOUTS	-	C 00779
	WEIGHT -	FSCM NO
		-
		DRAWING NO
		748507
		SCALE
		4:1
		SHEET
		1 OF 1