



Chipsmall Limited consists of a professional team with an average of over 10 year of expertise in the distribution of electronic components. Based in Hongkong, we have already established firm and mutual-benefit business relationships with customers from,Europe,America and south Asia,supplying obsolete and hard-to-find components to meet their specific needs.

With the principle of “Quality Parts,Customers Priority,Honest Operation,and Considerate Service”,our business mainly focus on the distribution of electronic components. Line cards we deal with include Microchip,ALPS,ROHM,Xilinx,Pulse,ON,Everlight and Freescale. Main products comprise IC,Modules,Potentiometer,IC Socket,Relay,Connector.Our parts cover such applications as commercial,industrial, and automotives areas.

We are looking forward to setting up business relationship with you and hope to provide you with the best service and solution. Let us make a better world for our industry!



Contact us

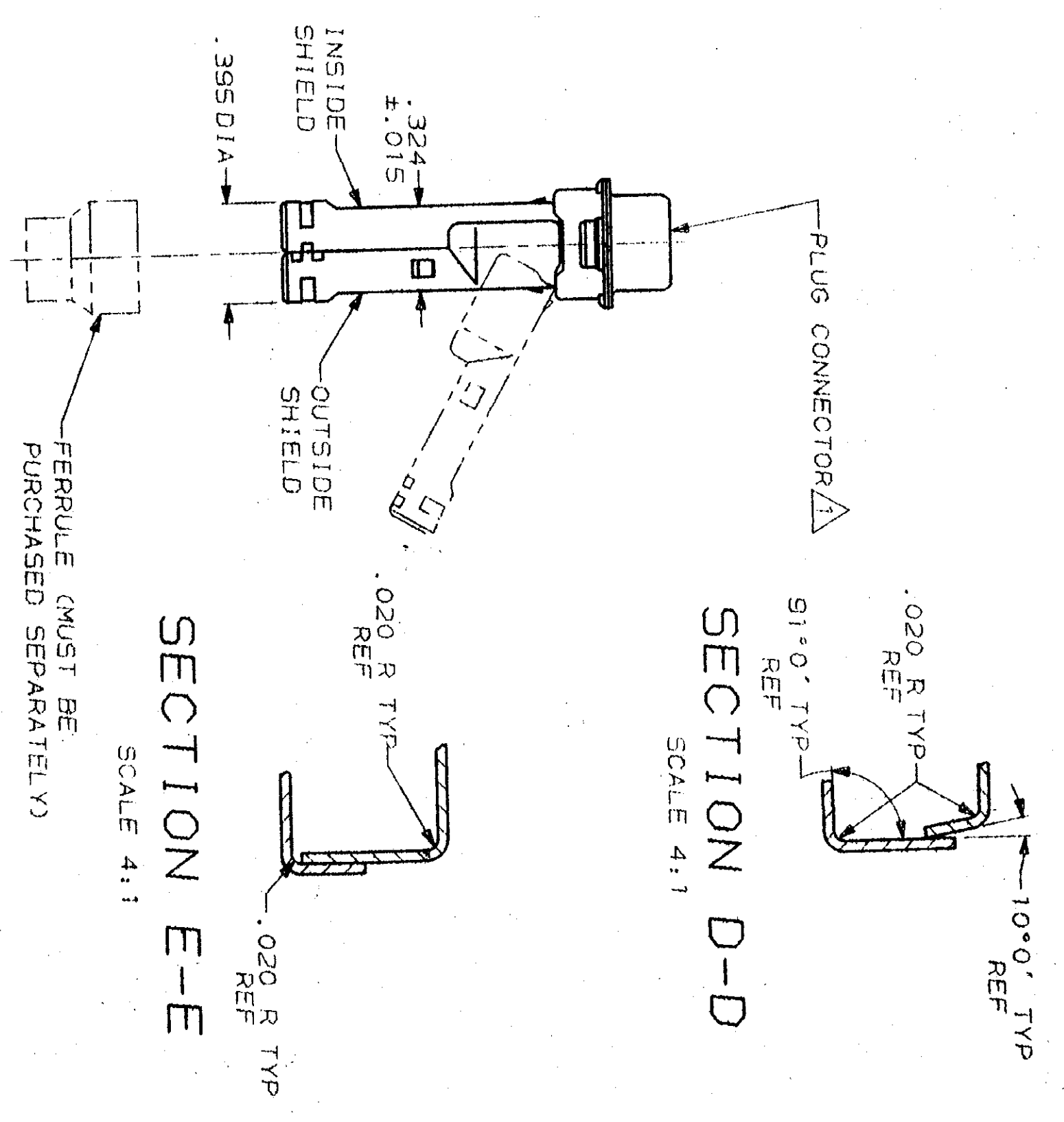
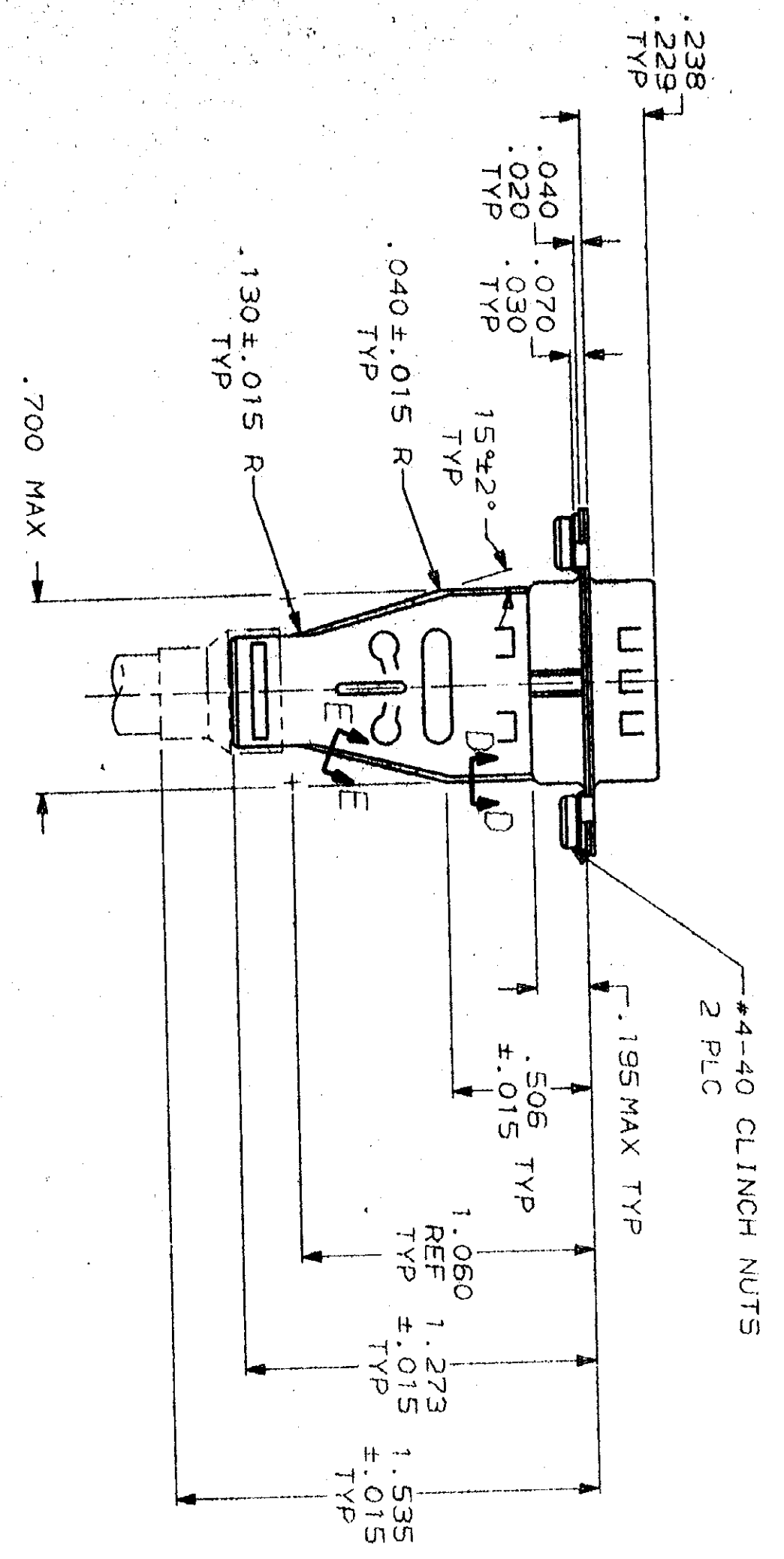
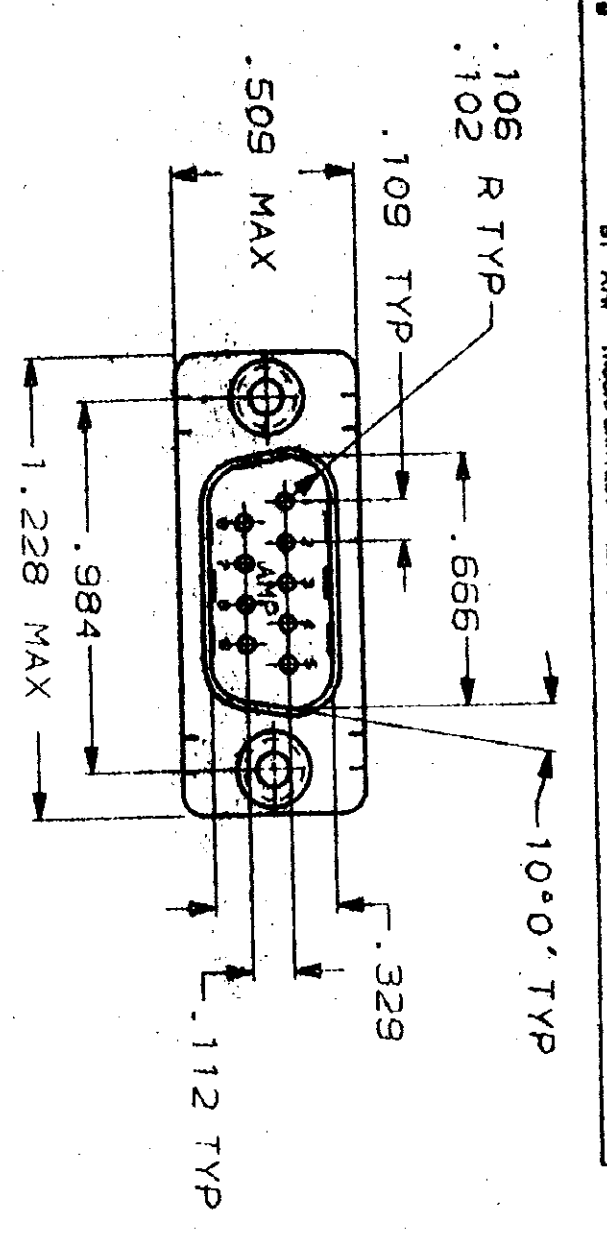
Tel: +86-755-8981 8866 Fax: +86-755-8427 6832

Email & Skype: info@chipsmall.com Web: www.chipsmall.com

Address: A1208, Overseas Decoration Building, #122 Zhenhua RD., Futian, Shenzhen, China



REV	DATE	APPD	DESCRIPTION
2	8-8-90	YMS	REV PER ECN B05049
1			



1. PLUG ACCEPTS SIZE 20 PIN CONTACTS (CONTACTS MUST BE ORDERED SEPARATELY).
2. ALL PARTS SHIPPED UNASSEMBLED, EACH PART INDIVIDUALLY BULK PACKED.
3. FLAME RETARDANT, 94V-0 RATED, GLASS FILLED NYLON OR POLYESTER, BLACK.
4. TIN PLATED PER MIL-T-10727.
5. STEEL PER ASTM A109.

DO NOT SCALE PRINT. UNLESS SPECIFIED DIMENSIONS IN INCHES TOLERANCES ON:		DR 6-8-90	J GALLUCI BG
1. DIMENSIONS		CHK J. MCCLINTON	8-31-90
2. PLG DEC #		APPD B. TAYLOR	9-4-90
3. PLG DEC #		APPD J. ASSINI	9-4-90
4. ANGLES		PRODUCT SPEC	
MATERIAL			
INSERT:			
SHELLS & SHIELDS:			
FINISH			
SHELLS & SHIELDS:			
WEIGHT			
APPLICATION SPEC			
NAME		AMP INCORPORATED HOPKINSON, PA. 17105	
KIT, PLUG, SHIELDING HARDWARE, 9 POSN, SIZE 1, W/CLINCH NUTS, AMPLIMIT™ HDP-20		SIZE	FSC# NO
		SCALE	00779
		DRAWING NO	748526
		SHEET	1 OF 1

748526-1
PART NUMBER

748526

CUSTOMER DRAWING