



Chipsmall Limited consists of a professional team with an average of over 10 year of expertise in the distribution of electronic components. Based in Hongkong, we have already established firm and mutual-benefit business relationships with customers from,Europe,America and south Asia,supplying obsolete and hard-to-find components to meet their specific needs.

With the principle of "Quality Parts,Customers Priority,Honest Operation,and Considerate Service",our business mainly focus on the distribution of electronic components. Line cards we deal with include Microchip,ALPS,ROHM,Xilinx,Pulse,ON,Everlight and Freescale. Main products comprise IC,Modules,Potentiometer,IC Socket,Relay,Connector.Our parts cover such applications as commercial,industrial, and automotives areas.

We are looking forward to setting up business relationship with you and hope to provide you with the best service and solution. Let us make a better world for our industry!



Contact us

Tel: +86-755-8981 8866 Fax: +86-755-8427 6832

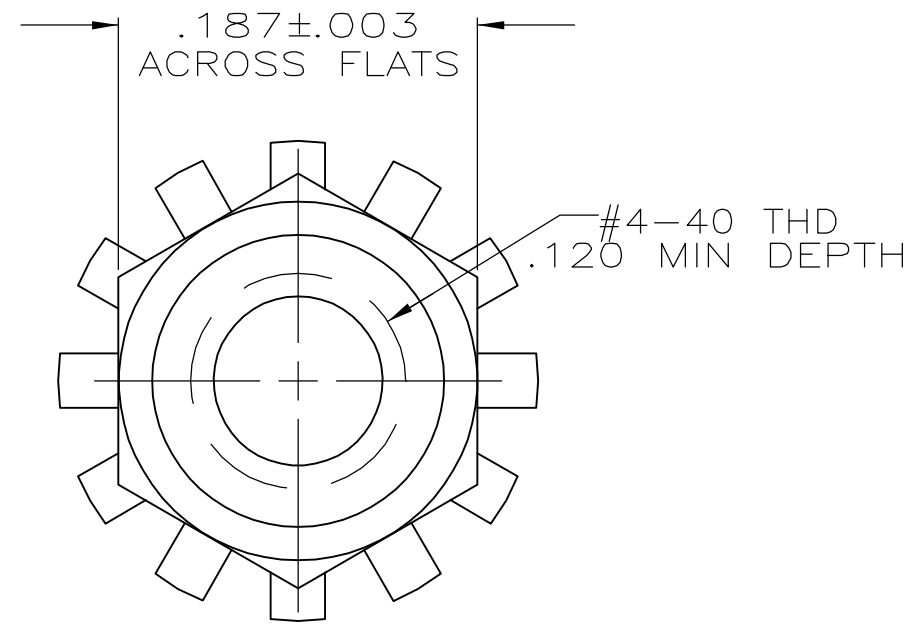
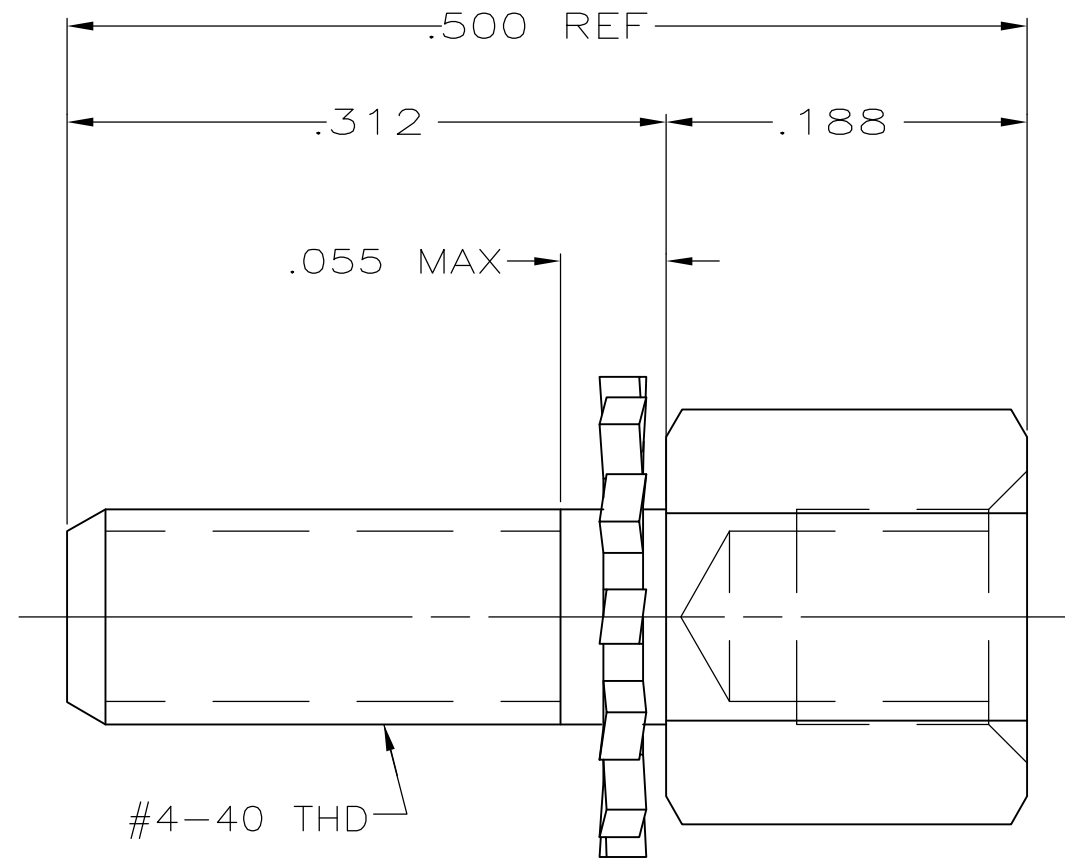
Email & Skype: info@chipsmall.com Web: www.chipsmall.com

Address: A1208, Overseas Decoration Building, #122 Zhenhua RD., Futian, Shenzhen, China



THIS DRAWING IS UNPUBLISHED. RELEASED FOR PUBLICATION
 © COPYRIGHT BY TYCO ELECTRONICS CORPORATION. ALL RIGHTS RESERVED.

LOC	DIST	REVISIONS					
BD	39	P	LTR	DESCRIPTION	DATE	DWN	APVD
			B1	REVISED PER ECO-06-020811	12OCT06	JDP	CWR



- 1 ZINC PLATED PER ASTM B633, TYPE III, CLASS SCI, CLEAR CHROMATE.
- 2 PARTS PACKAGED AS A UNIT KIT.
- 3 PARTS INDIVIDUALLY BULK PACKED & SHIPPED AS A UNIT PACKAGE.
- 4 COLD ROLLED STEEL PER ASTM A108.

	3	2	1	748558-4
OBSOLETE	2	2	1	748558-3
	PACKAGING	QUANTITY	FINISH	PART NO

THIS DRAWING IS A CONTROLLED DOCUMENT.		DWN	L.SIPE	9-23-87	Tyco Electronics Corporation Harrisburg, PA 17105-3608 OBsolete NOT the LATEST REVISION FEMALE SCREWLOCK KIT, W/ EXTERNAL TOOTH LOCK WASHER, AMPLIMITE				
DIMENSIONS: INCHES		CHK	S.WELDON	9-24-87				NAME	
TOLERANCES UNLESS OTHERWISE SPECIFIED:		APVD		9-28-87				S.SCHIEFERLY	
0 PLC ± - 1 PLC ± - 2 PLC ± - 3 PLC ± .005 4 PLC ± - ANGLES ± -		PRODUCT SPEC		9-28-87				V.KUMAR	
MATERIAL	4	FINISH	SEE TABLE	APPLICATION SPEC					
		WEIGHT	-	SIZE	A3	CAGE CODE	00779		
		CUSTOMER DRAWING		DRAWING NO	C-748558	RESTRICTED TO			
		SCALE	10:1	SHEET	1 OF 1	REV	B1		