



Chipsmall Limited consists of a professional team with an average of over 10 year of expertise in the distribution of electronic components. Based in Hongkong, we have already established firm and mutual-benefit business relationships with customers from,Europe,America and south Asia,supplying obsolete and hard-to-find components to meet their specific needs.

With the principle of “Quality Parts,Customers Priority,Honest Operation,and Considerate Service”,our business mainly focus on the distribution of electronic components. Line cards we deal with include Microchip,ALPS,ROHM,Xilinx,Pulse,ON,Everlight and Freescale. Main products comprise IC,Modules,Potentiometer,IC Socket,Relay,Connector.Our parts cover such applications as commercial,industrial, and automotives areas.

We are looking forward to setting up business relationship with you and hope to provide you with the best service and solution. Let us make a better world for our industry!



## Contact us

Tel: +86-755-8981 8866 Fax: +86-755-8427 6832

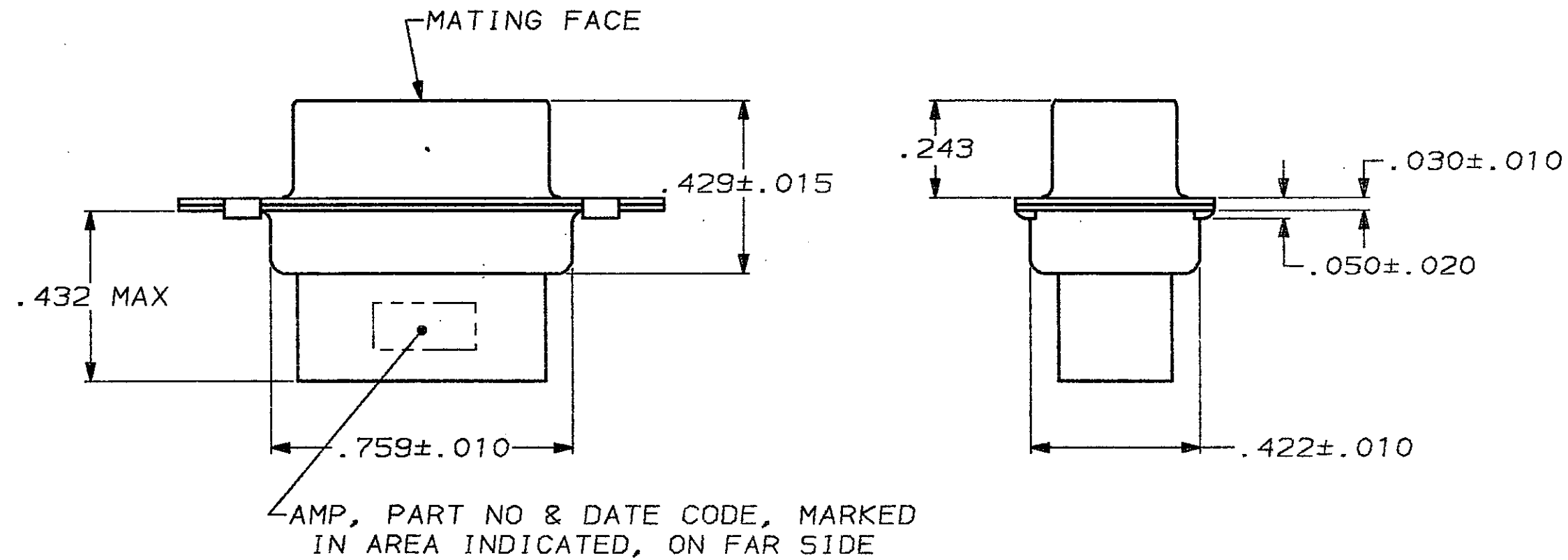
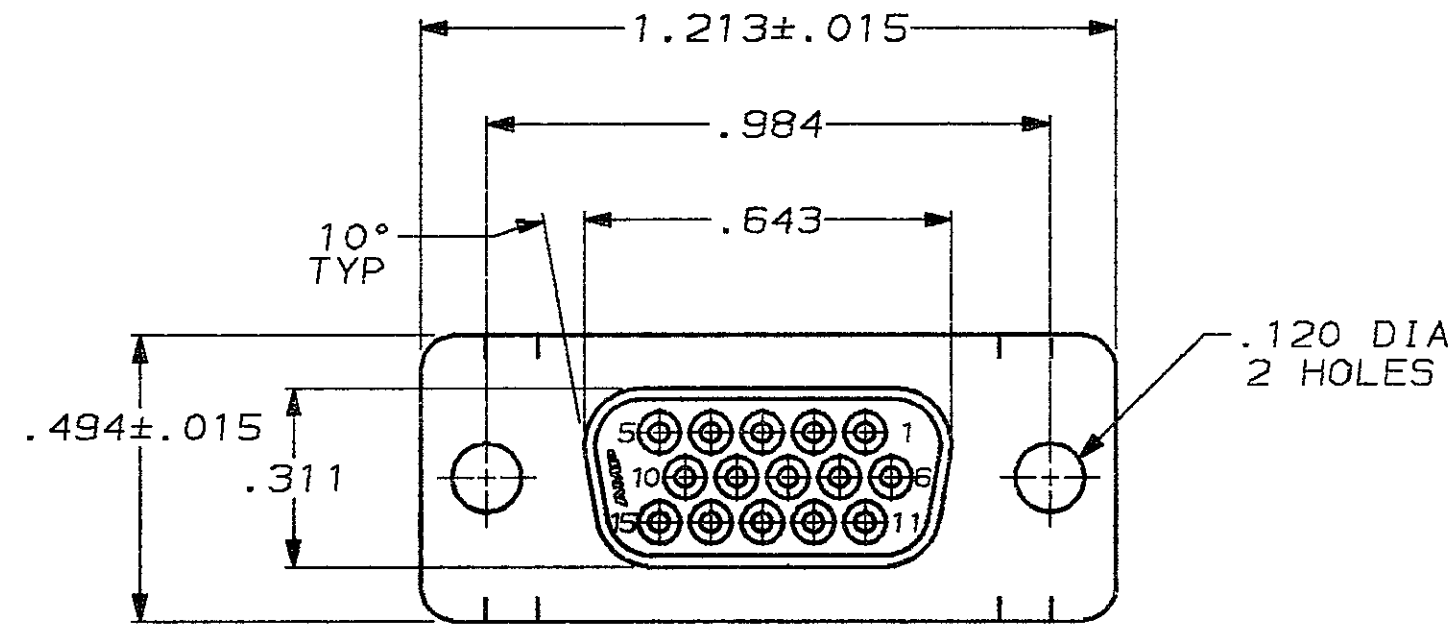
Email & Skype: info@chipsmall.com Web: www.chipsmall.com

Address: A1208, Overseas Decoration Building, #122 Zhenhua RD., Futian, Shenzhen, China



THIS DRAWING IS UNPUBLISHED. RELEASED FOR PUBLICATION .19  
 © COPYRIGHT 19 BY AMP INCORPORATED. ALL INTERNATIONAL RIGHTS RESERVED.

LOC		DIST		REVISIONS				DATE	APPD
BD	39	P	F	ZONE	LTR	DESCRIPTION			
					0	REL WAS 87-4870-13	-	-	



AMP, PART NO & DATE CODE, MARKED IN AREA INDICATED, ON FAR SIDE

- 1. CONNECTOR ACCEPTS SIZE 22 DF SOCKET CONTACTS, RETENTION TINES ARE AN INTEGRAL PART OF INSERT.
- 2. FLAME RETARDANT 94V-0 RATED GLASS FILLED NYLON, COLOR: BLACK.
- 3. STEEL PER ASTM A109.
- 4. TIN PLATED PER MIL-T-10727.

748565-1  
PART NO

DO NOT SCALE PRINT. UNLESS SPECIFIED DIMENSIONS IN INCHES TOLERANCES ON:  
 2 PLC DEC ± -  
 3 PLC DEC ± .005  
 ANGLES ± 2°

MATERIAL  
 MOLDED PARTS: 2  
 SHELLS: 3

FINISH  
 SHELLS: 4

DR - *C. Richard* 1/12/88  
 CHK - *W.G. Lember* 1-14-88  
 APPD - *J. H. Lember* 1/14/88  
 APPD - *V. Kumar* 1/19/88

PRODUCT SPEC -  
 APPLICATION SPEC -  
 WEIGHT -

<b>AMP</b> AMP INCORPORATED Harrisburg, Pa. 17105		
NAME RECEPTACLE CONNECTOR, SIZE 1, 15 POSN, AMPLIMITE® HDP-22		
SIZE <b>C</b>	FSCM NO 00779	DRAWING NO 748565
SCALE 3:1	SHEET 1 OF 1	