



Chipsmall Limited consists of a professional team with an average of over 10 year of expertise in the distribution of electronic components. Based in Hongkong, we have already established firm and mutual-benefit business relationships with customers from,Europe,America and south Asia,supplying obsolete and hard-to-find components to meet their specific needs.

With the principle of "Quality Parts,Customers Priority,Honest Operation,and Considerate Service",our business mainly focus on the distribution of electronic components. Line cards we deal with include Microchip,ALPS,ROHM,Xilinx,Pulse,ON,Everlight and Freescale. Main products comprise IC,Modules,Potentiometer,IC Socket,Relay,Connector.Our parts cover such applications as commercial,industrial, and automotives areas.

We are looking forward to setting up business relationship with you and hope to provide you with the best service and solution. Let us make a better world for our industry!



Contact us

Tel: +86-755-8981 8866 Fax: +86-755-8427 6832

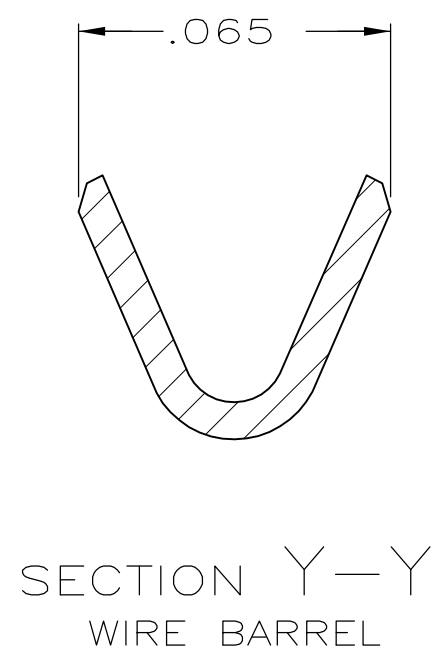
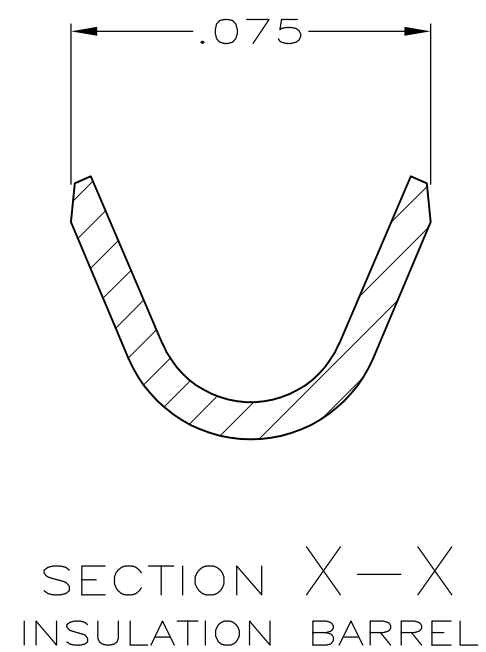
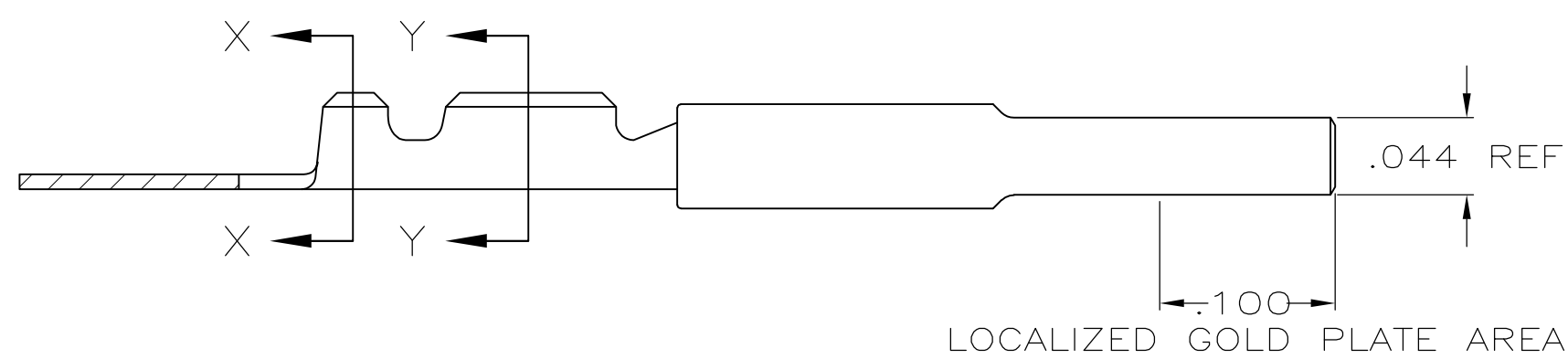
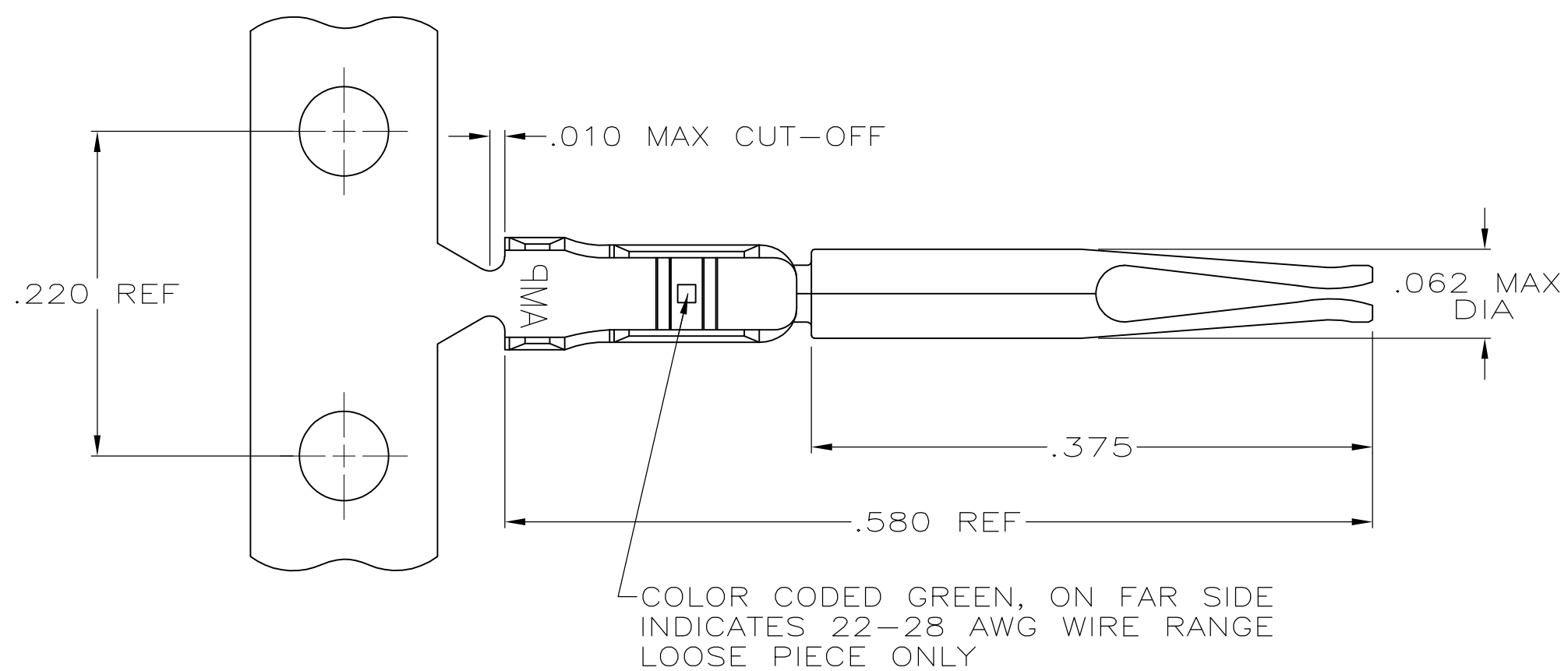
Email & Skype: info@chipsmall.com Web: www.chipsmall.com

Address: A1208, Overseas Decoration Building, #122 Zhenhua RD., Futian, Shenzhen, China



THIS DRAWING IS UNPUBLISHED. RELEASED FOR PUBLICATION
 © COPYRIGHT - By - ALL RIGHTS RESERVED.

Loc		DIST		REVISIONS			
P	LTR	DESCRIPTION		DATE	DWN	APVD	
GP	00	H1	REVISED PER ECO-11-004835		11MAR11	RK	HMR



- ① FOR MINI APPLICATOR.
- ② FOR HAND TOOL USE ONLY.
- 3. WIRE RANGE OF 22-28, INSULATION RANGE OF .030-.040.
- ④ GOLD PLATING PER MIL-G-45204, NICKEL PLATING PER QQ-N-290, TIN PLATING PER MIL-T-10727.
- ⑤ PLATED WITH .000030 GOLD IN LOCALIZED GOLD PLATE AREA, TIN PLATED WIRE BARRELS, OVER .000050 NICKEL.
- ⑥ PLATED WITH GOLD FLASH IN LOCALIZED GOLD PLATE AREA, TIN PLATED WIRE BARRELS, OVER .000030 NICKEL.
- ⑦ PLATED WITH .000050 GOLD ON INSIDE OF LOCALIZED GOLD PLATE AREA, .000050 GOLD ON REMAINDER, ALL OVER .000050 NICKEL UNDERPLATE.
- ⑧ GOLD PLATING ON THE CARRIER STRIP IS NOT REQUIRED.
- ⑨ OBSOLETE.

SMALL PACK	⑥	⑨	748610-7	⑨	1-748610-1
-	⑦	⑧	748610-9	⑨	748610-8
STANDARD	⑥	⑨	748610-7	⑨	748610-5
-	⑤	⑨	748610-4	⑨	748610-2
PACKAGING	FINISH ④	LOOSE PIECE ②	PART NUMBER ①		

DIMENSIONS: INCHES		TOLERANCES UNLESS OTHERWISE SPECIFIED:		MATERIAL		FINISH		WEIGHT		CUSTOMER DRAWING	
0 PLC	± -	1 PLC	± -	PHOS BRONZE PER QQ-B-750	SEE TABLE	0	± -	-	-	SCALE	10:1
1 PLC	± -	2 PLC	± -			1	± .005			SHEET	1 of 1
2 PLC	± -	3 PLC	± .005			2	± -			REV	H1
3 PLC	± -	4 PLC	± -			3	± 0° 30'				
4 PLC	± -	ANGLES	± 0° 30'			4	± -				

TE TE Connectivity

NAME: V.KUMAR
 PRODUCT SPEC: -
 APPLICATION SPEC: -
 WEIGHT: -

SIZE: A2 CAGE CODE: 00779 DRAWING NO: C-748610 RESTRICTED TO: -