



Chipsmall Limited consists of a professional team with an average of over 10 year of expertise in the distribution of electronic components. Based in Hongkong, we have already established firm and mutual-benefit business relationships with customers from,Europe,America and south Asia,supplying obsolete and hard-to-find components to meet their specific needs.

With the principle of "Quality Parts,Customers Priority,Honest Operation,and Considerate Service",our business mainly focus on the distribution of electronic components. Line cards we deal with include Microchip,ALPS,ROHM,Xilinx,Pulse,ON,Everlight and Freescale. Main products comprise IC,Modules,Potentiometer,IC Socket,Relay,Connector.Our parts cover such applications as commercial,industrial, and automotives areas.

We are looking forward to setting up business relationship with you and hope to provide you with the best service and solution. Let us make a better world for our industry!



Contact us

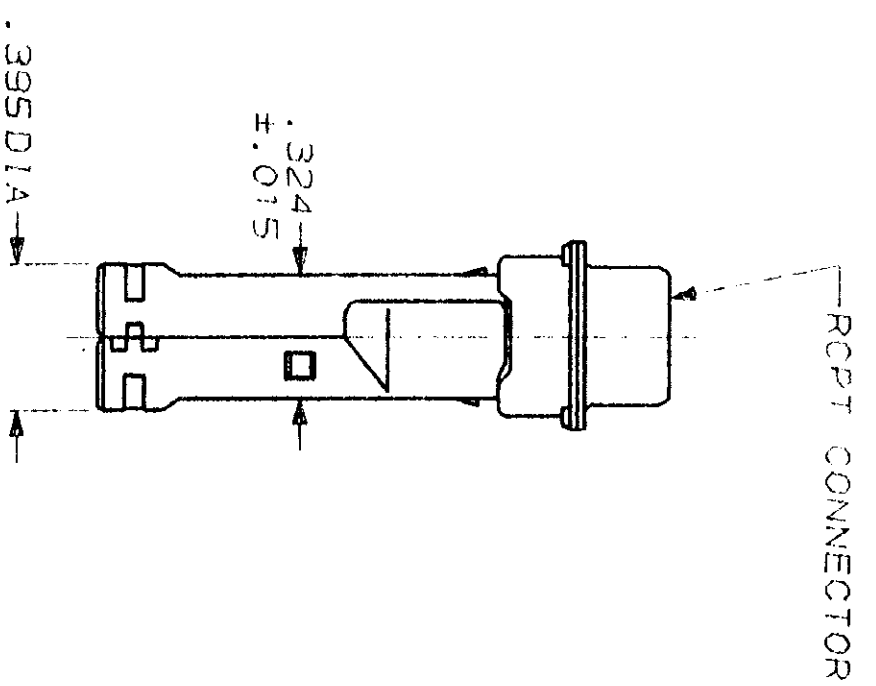
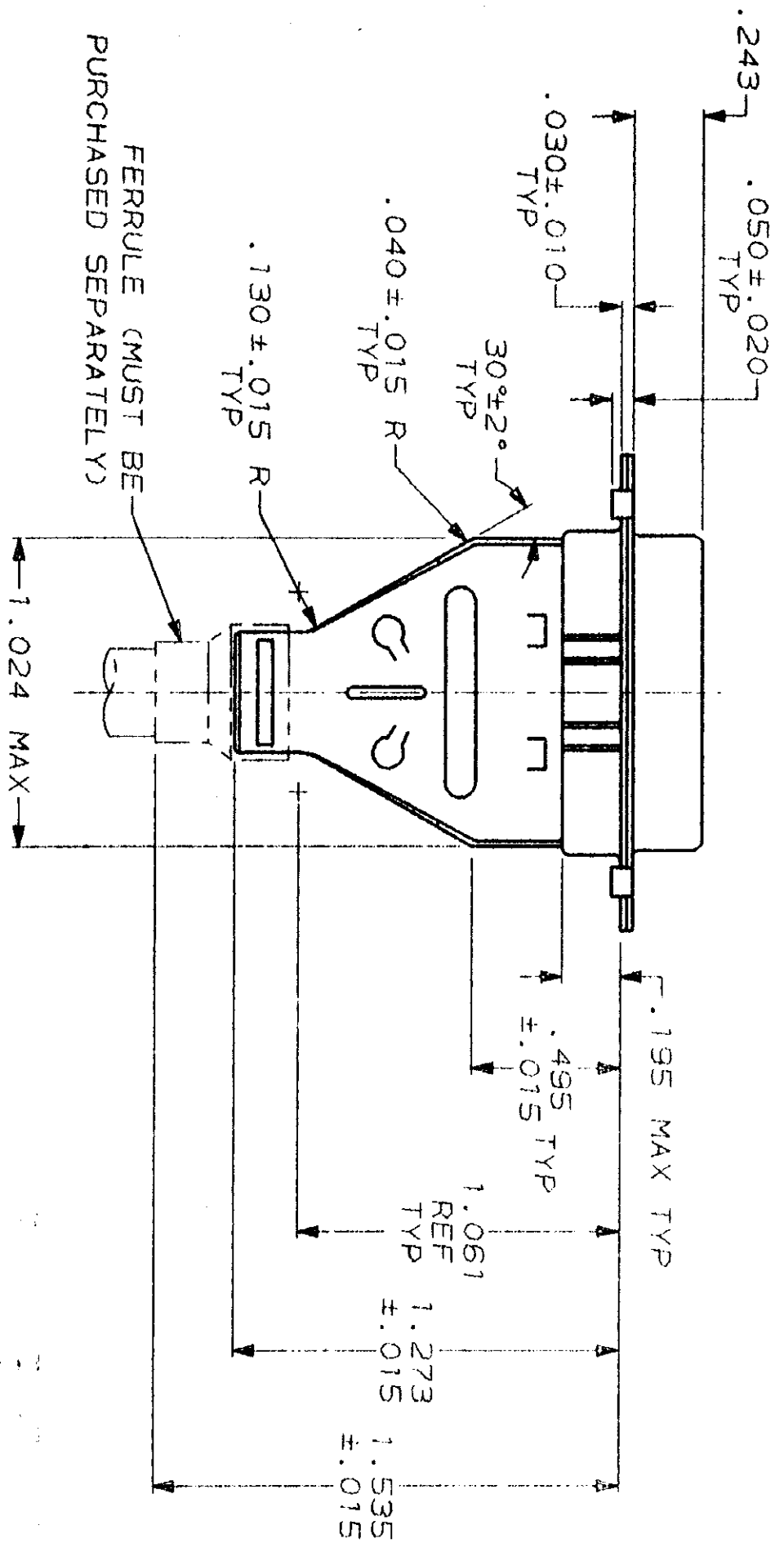
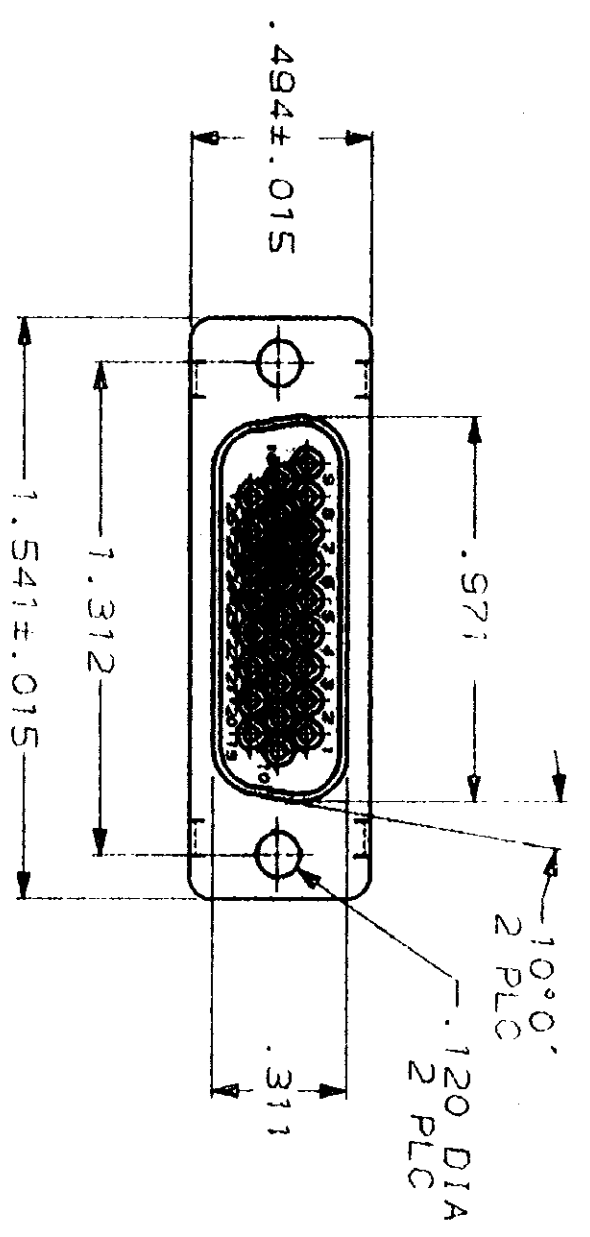
Tel: +86-755-8981 8866 Fax: +86-755-8427 6832

Email & Skype: info@chipsmall.com Web: www.chipsmall.com

Address: A1208, Overseas Decoration Building, #122 Zhenhua RD., Futian, Shenzhen, China



MOD	2	BD	39	P	F	ZONE	LTR	REV	DESCRIPTION	DATE	APPD
							A		REDRAWN AND REV ECN B05049	7-3-91	



1. RCPT ACCEPTS SIZE 22 DF SOCKET CONTACTS (CONTACTS MUST BE ORDERED SEPARATELY).
2. ALL PARTS SHIPPED UNASSEMBLED, EACH PART INDIVIDUALLY BULK PACKED.
3. FLAME RETARDANT 94V-0 RATED, GLASS FILLED NYLON, BLACK.

748635-1
 PART NUMBER

DO NOT SCALE PRINT. UNLESS SPECIFIED DIMENSIONS IN INCHES TOLERANCES ON:		DR 7-3-91	NAME
1. DIMENSIONS	± .005	R. SHIREY	AMP INCORPORATED
2. PLG DEC	± .005	8-2-91	AMP INCORPORATED
3. PLG DEC	± .005		AMP INCORPORATED
ANGLES	± 0°30'		AMP INCORPORATED
MATERIAL	HOUSING: PER ASTM A109		AMP INCORPORATED
FINISH	SHELLS & SHIELDS: TIN PLATED PER MIL-T-10727		AMP INCORPORATED
APPROVALS	APPROVED: <i>[Signature]</i> 8-2-91		AMP INCORPORATED
PRODUCT SPEC	APPROVED: <i>[Signature]</i>		AMP INCORPORATED
APPLICATION SPEC	SCALE: 2:1		AMP INCORPORATED
WEIGHT			AMP INCORPORATED

CUSTOMER DRAWING