



Chipsmall Limited consists of a professional team with an average of over 10 year of expertise in the distribution of electronic components. Based in Hongkong, we have already established firm and mutual-benefit business relationships with customers from,Europe,America and south Asia,supplying obsolete and hard-to-find components to meet their specific needs.

With the principle of “Quality Parts,Customers Priority,Honest Operation,and Considerate Service”,our business mainly focus on the distribution of electronic components. Line cards we deal with include Microchip,ALPS,ROHM,Xilinx,Pulse,ON,Everlight and Freescale. Main products comprise IC,Modules,Potentiometer,IC Socket,Relay,Connector.Our parts cover such applications as commercial,industrial, and automotives areas.

We are looking forward to setting up business relationship with you and hope to provide you with the best service and solution. Let us make a better world for our industry!



## Contact us

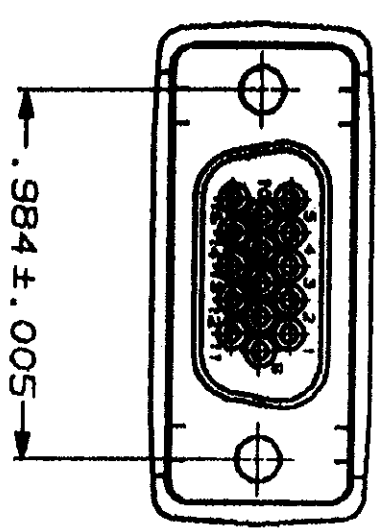
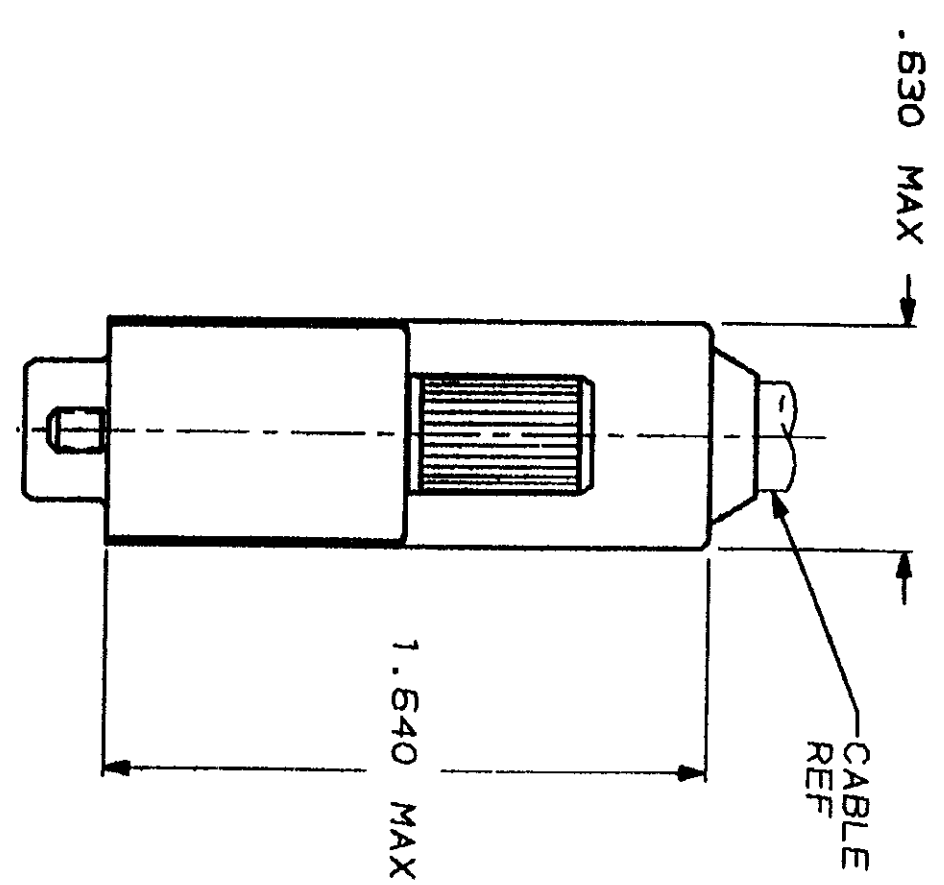
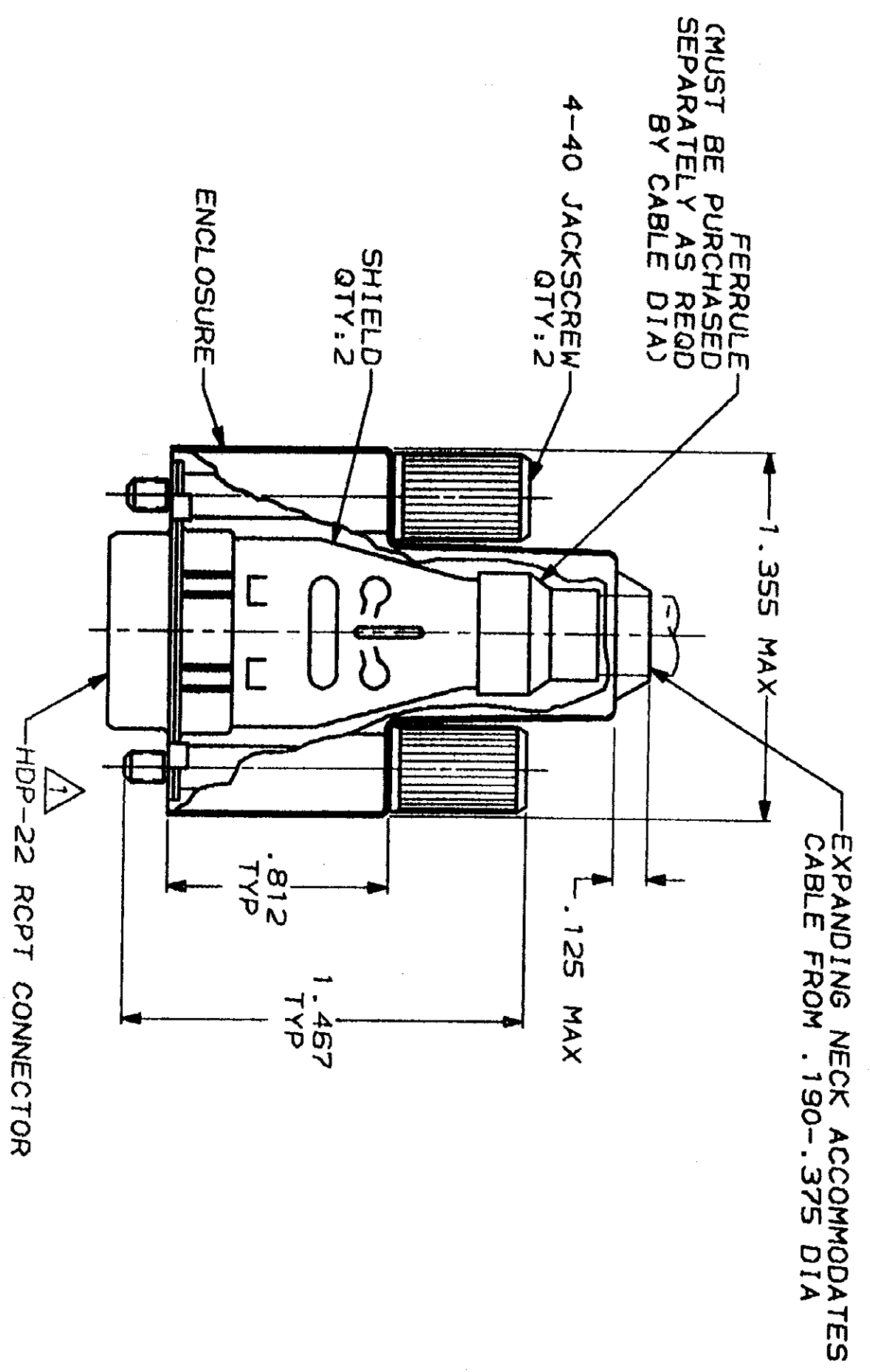
Tel: +86-755-8981 8866 Fax: +86-755-8427 6832

Email & Skype: info@chipsmall.com Web: www.chipsmall.com

Address: A1208, Overseas Decoration Building, #122 Zhenhua RD., Futian, Shenzhen, China



MOD	2	DATE	04/03/82	APPRO	TMS
DESIGN	BD 39	DATE	04/03/82	APPRO	TMS
REVISIONS					
NO.	DESCRIPTION	DATE	APPRO		
1	REDESIGNED AND REV ECN B05049	7-3-81	TMS		
2	REVISED PER ECN B06133	04/03/82	TMS		



1. RECEPTACLE ACCEPTS SIZE 22 DF PIN CONTACTS. CONTACTS MUST BE PURCHASED SEPARATELY.
2. ALL PARTS SHIPPED UNASSEMBLED.
3. FLAME RETARDANT 94V-0 RATED, STYRENE POLYOLEFIN OR PVC, BLACK.
4. FLAME RETARDANT 94V-0 RATED GLASS FILLED, NYLON OR POLYESTER, BLACK.
5. STEEL PER ASTM A109.
6. TIN PLATING PER MIL-T-10727.
7. ZINC PLATING PER ASTM B633, TYPE II, CLASS SCl, BLACK CHROMATE.
8. COMPONENTS INDIVIDUALLY BULK PACKED.

PACKAGING	748639-1
PART NUMBER	

DO NOT SCALE PRINT. UNLESS SPECIFIED DIMENSIONS IN INCHES TOLERANCES ON:	DR 7-3-91 R. SHIREY	AMP INCORPORATED Harrisburg, Pa. 17105
1 P/LG DEC ± .010	CHK 8-2-91 R. STONE	
2 P/LG DEC ± .020	APPD 8-5-91 T.M. SPANGLER	SHIELDING ENCLOSURE KIT, RCPT, SIZE 1, 15 POSN, HDP-22, AMPLIMITE™
ANGLES ± .020	APPD 8-7-91 J. ASSINI	
MATERIAL	ENCLOSURE, ZINC ALLOY	NAME
INSERT, JACKSCREWS, ZINC ALLOY		SIZE
FINISH		FSCH NO
SHELLS & SHIELDS, JACKSCREWS,		00779
		DRAWING NO
		748639
		SHEET
		1 OF 1

CUSTOMER DRAWING