



Chipsmall Limited consists of a professional team with an average of over 10 year of expertise in the distribution of electronic components. Based in Hongkong, we have already established firm and mutual-benefit business relationships with customers from,Europe,America and south Asia,supplying obsolete and hard-to-find components to meet their specific needs.

With the principle of “Quality Parts,Customers Priority,Honest Operation,and Considerate Service”,our business mainly focus on the distribution of electronic components. Line cards we deal with include Microchip,ALPS,ROHM,Xilinx,Pulse,ON,Everlight and Freescale. Main products comprise IC,Modules,Potentiometer,IC Socket,Relay,Connector.Our parts cover such applications as commercial,industrial, and automotives areas.

We are looking forward to setting up business relationship with you and hope to provide you with the best service and solution. Let us make a better world for our industry!



## Contact us

Tel: +86-755-8981 8866 Fax: +86-755-8427 6832

Email & Skype: info@chipsmall.com Web: www.chipsmall.com

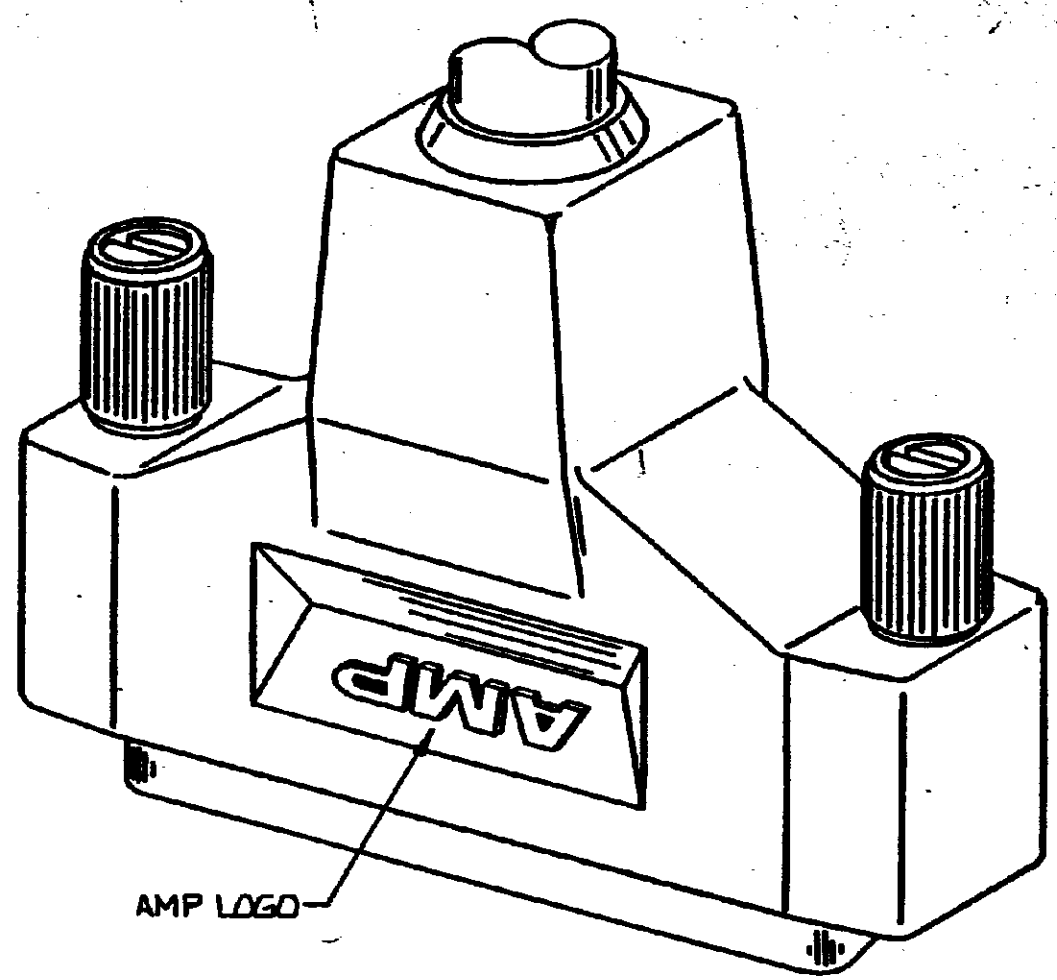
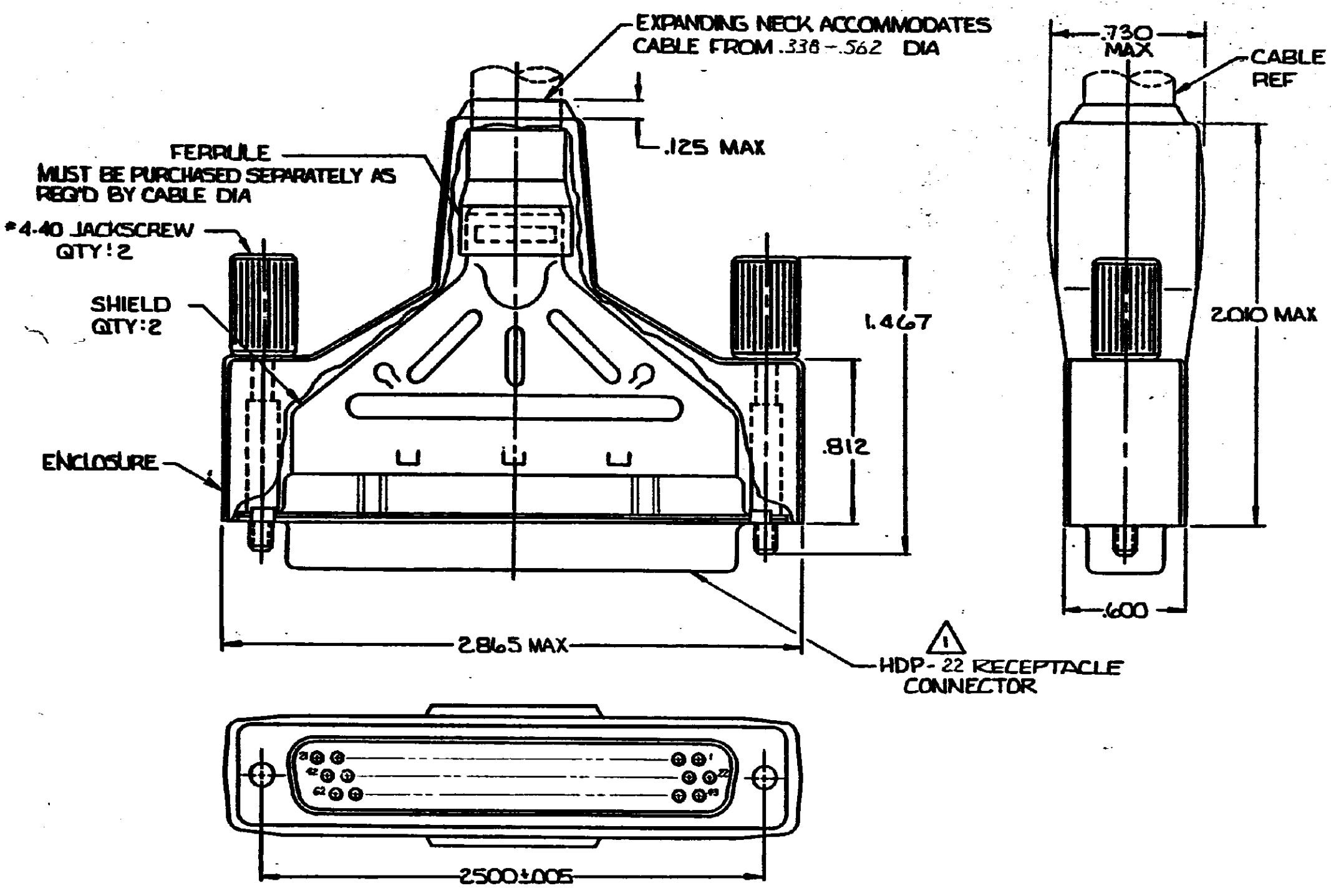
Address: A1208, Overseas Decoration Building, #122 Zhenhua RD., Futian, Shenzhen, China



DRAWING MADE IN THIRD ANGLE PROJECTION

THIS DRAWING IS UNPUBLISHED. RELEASED FOR PUBLICATION  
 © COPYRIGHT 19 BY AMP INCORPORATED, HARRISBURG, PA. ALL INTERNATIONAL RIGHTS RESERVED. AMP PRODUCTS MAY BE COVERED BY U.S. AND FOREIGN PATENTS AND/OR PATENTS PENDING.

REVISED		DATE		APPROVED	
P	F	ZONE	DESCRIPTION	DATE	APPROVED
0	✓	D	RELEASED		
1	✓	A	REVISED - ECN BD2607	11-30-88	Reo
2	✓	B	REV PER ECN BD2328	2-17-89	Reo
3	✓	C	REV PER ECN BD 4493	1-3-91	
4	✓	D	REVISED PER ECN BD6133	4-6-92	TMS



- 1 RECEPTACLE ACCEPTS SIZE 22 DF SOCKET CONTACTS. CONTACTS MUST BE PURCHASED SEPARATELY.
- 2. ALL PARTS SHIPPED UNASSEMBLED.
- 3 FLAME RETARDANT 94V-0 RATED, STYRENE POLYOLEFIN OR PVC, COLOR: BLACK.
- 4 FLAME RETARDANT 94V-0 RATED GLASS FILLED NYLON OR POLYESTER, COLOR: BLACK.
- 5 STEEL PER ASTM A109.
- 6 TIN PLATING PER MIL-T-10727.
- 7 ZINC PLATING PER ASTM B633, TYPE II, CLASS SCI, BLACK CHROMATE.
- 8 COMPONENTS INDIVIDUALLY BULK PACKED.

UNLESS OTHERWISE SPECIFIED DIMENSIONS ARE IN INCHES. TOLERANCES ON: DECIMALS ± .020 ANGLES		CONTRACT NO		AMP INCORPORATED Harrisburg, Pa. 17105	
MATERIAL INSERT: ENCLOSURE		DR W.G. Lonker 2-24-88		NAME	
SHELLS & SHIELDS: JACKSCREWS: ZINC ALLOY		CHK C. Hickman 3-1-88		SHIELDING ENCLOSURE KIT, RECEPTACLE, SIZE 4, G2 POSITION, AMPLIMITE® HDP-22	
FINISH SHELLS & SHIELDS: JACKSCREWS:		ARPD D. Newby 3-1-88		SIZE C	
		APPD V. Kumar 3/1/88		FSCM NO 00779	
		OSGN APPD		DRAWING NO 748642	
		OTHER APPD		SCALE 2:1	
				SHEET 1 OF 1	

CUSTOMER DRAWING

748642