



Chipsmall Limited consists of a professional team with an average of over 10 year of expertise in the distribution of electronic components. Based in Hongkong, we have already established firm and mutual-benefit business relationships with customers from,Europe,America and south Asia,supplying obsolete and hard-to-find components to meet their specific needs.

With the principle of "Quality Parts,Customers Priority,Honest Operation,and Considerate Service",our business mainly focus on the distribution of electronic components. Line cards we deal with include Microchip,ALPS,ROHM,Xilinx,Pulse,ON,Everlight and Freescale. Main products comprise IC,Modules,Potentiometer,IC Socket,Relay,Connector.Our parts cover such applications as commercial,industrial, and automotives areas.

We are looking forward to setting up business relationship with you and hope to provide you with the best service and solution. Let us make a better world for our industry!



Contact us

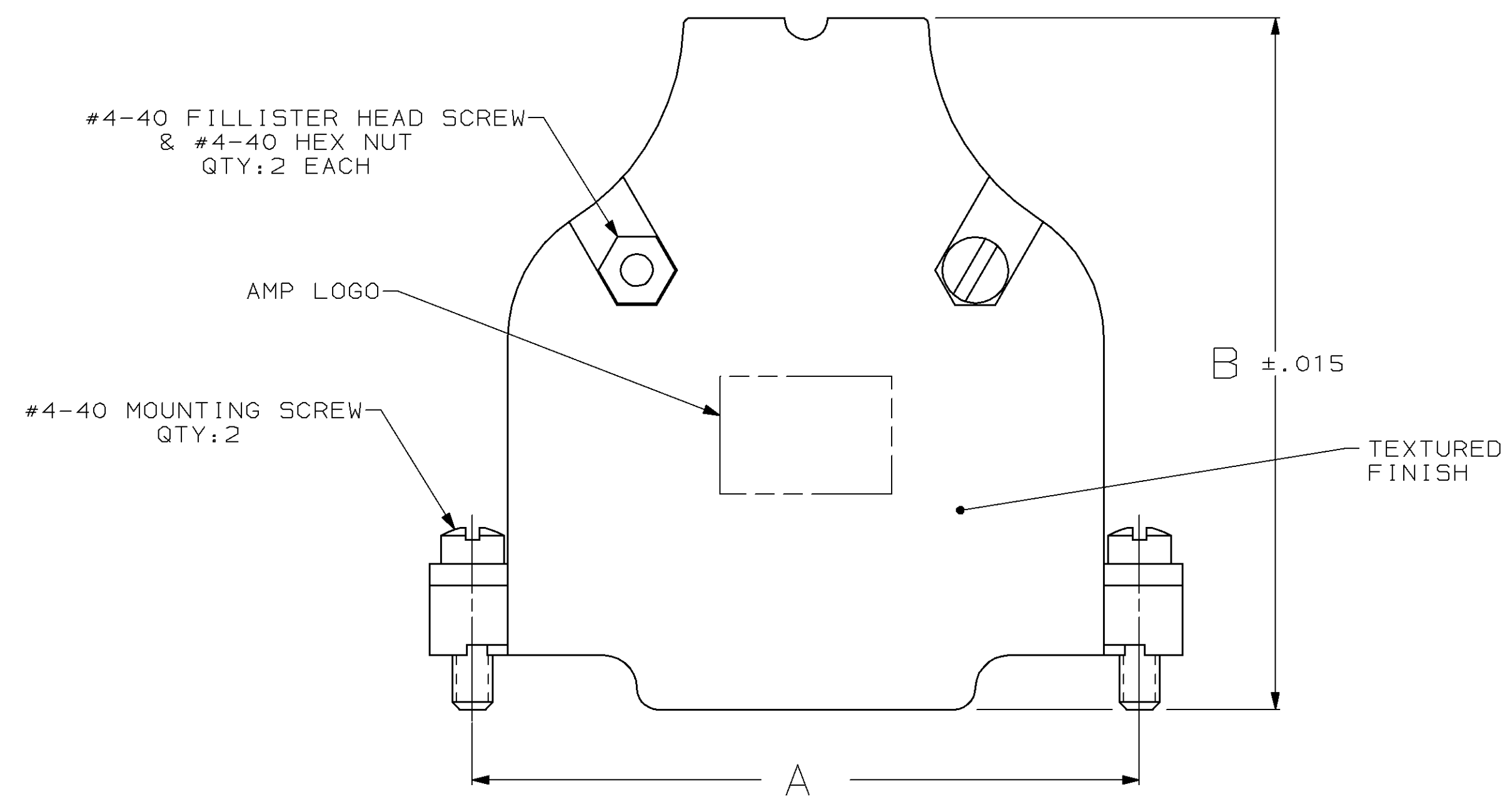
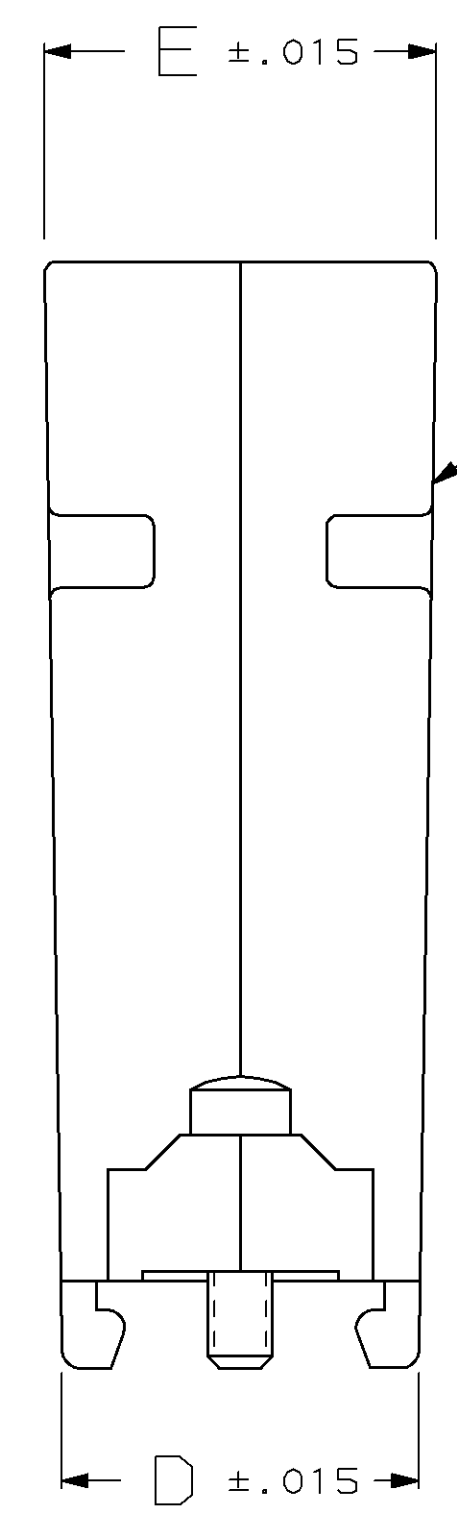
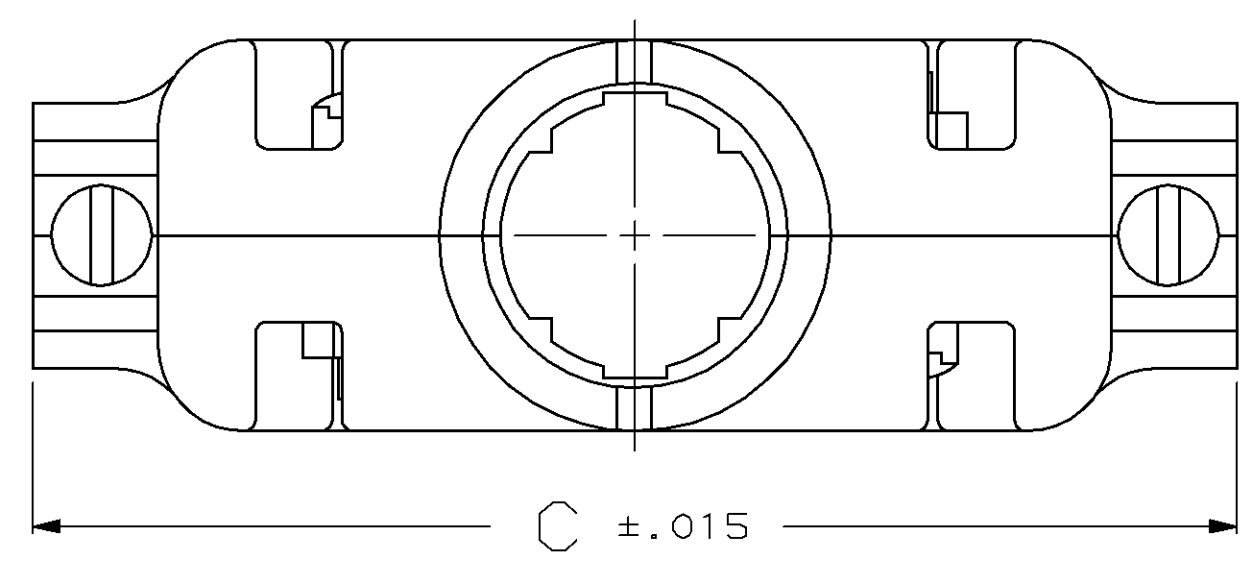
Tel: +86-755-8981 8866 Fax: +86-755-8427 6832

Email & Skype: info@chipsmall.com Web: www.chipsmall.com

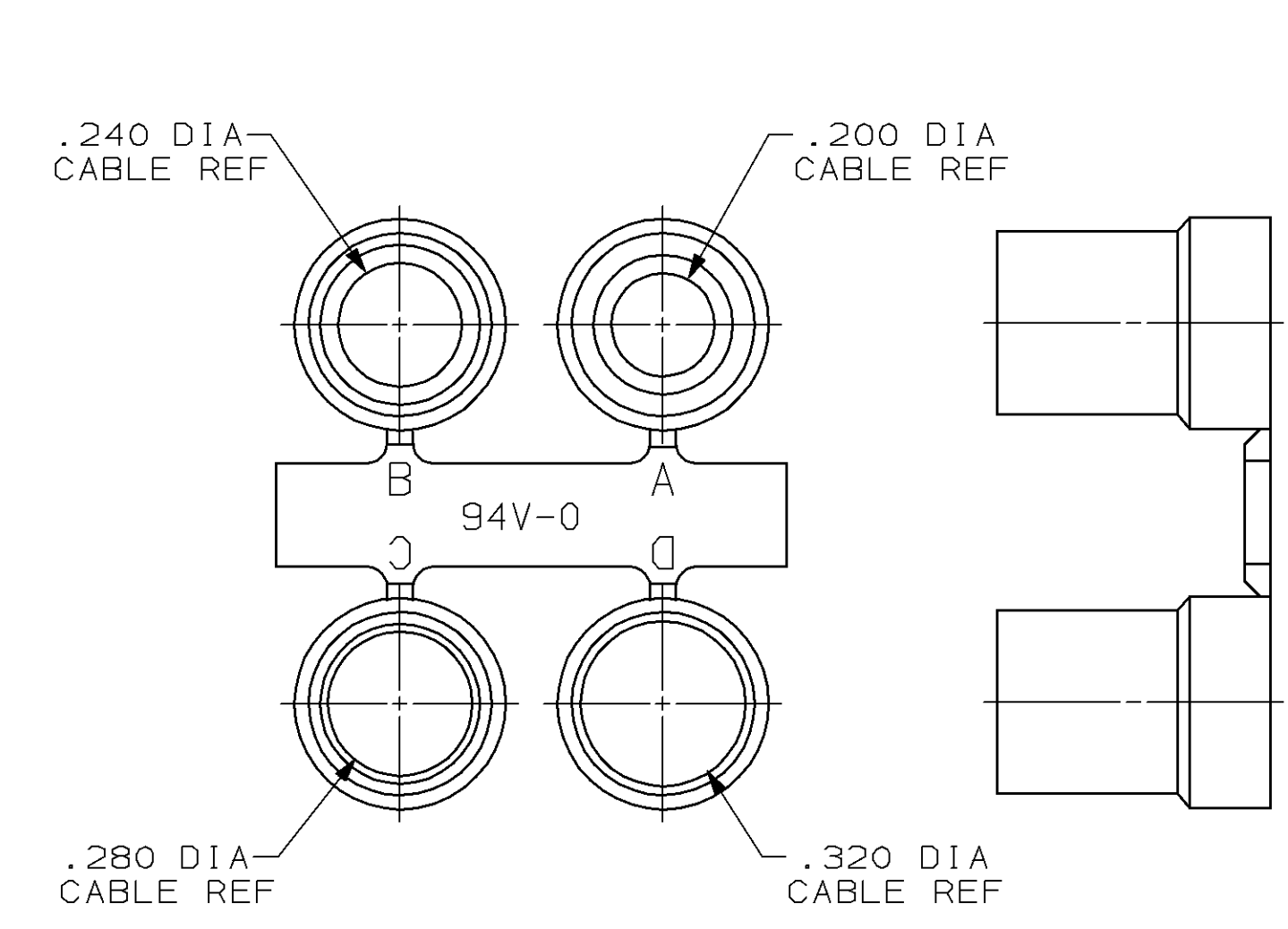
Address: A1208, Overseas Decoration Building, #122 Zhenhua RD., Futian, Shenzhen, China



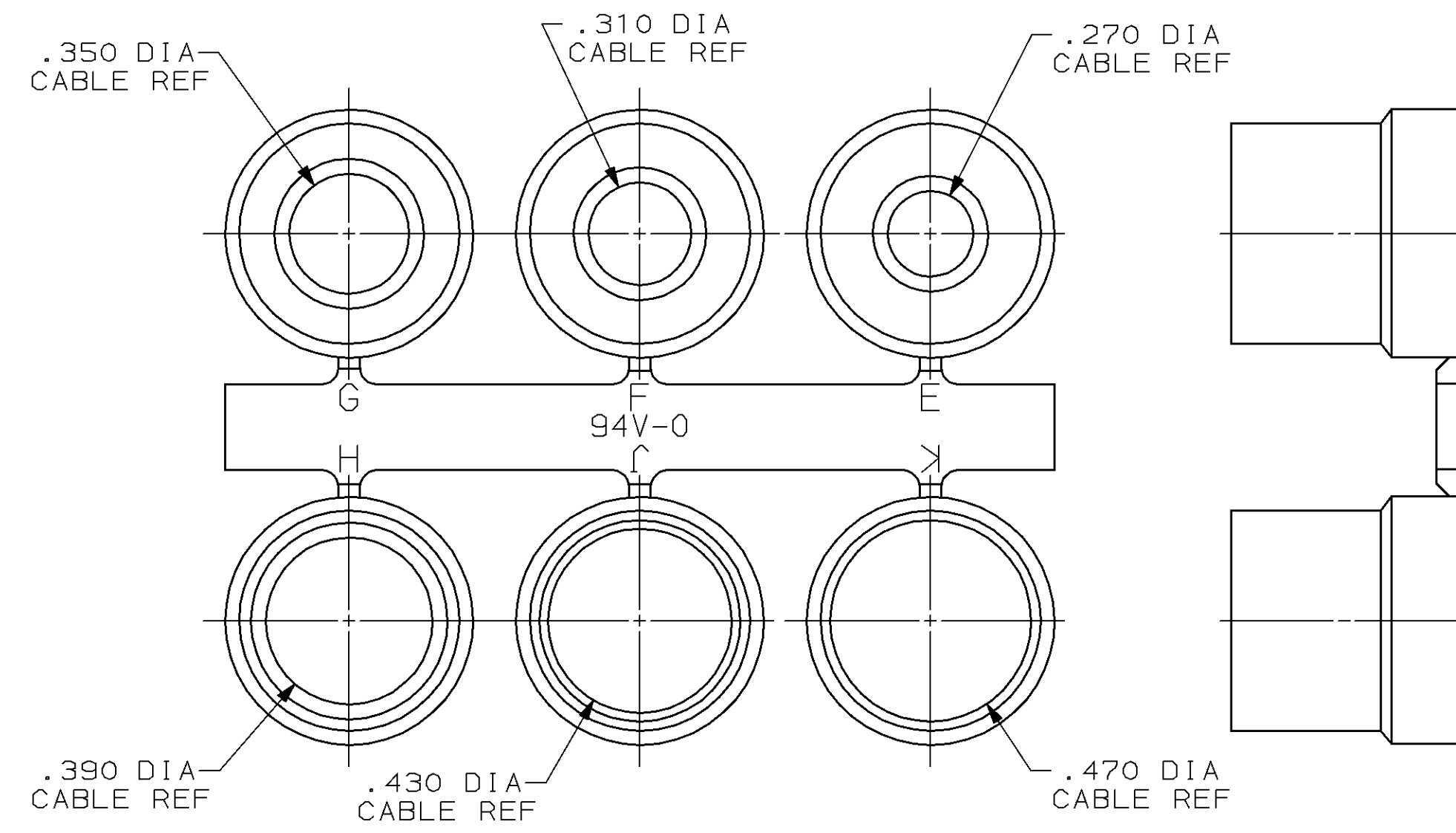
LOC	DIST	P	F	ZONE	LTR	REVISIONS	DATE	APPD
BD	48					O RELEASED	-	-
						A REVISED PER ECN-2422	8/24/88	SW
						B REV PER EC 0020-117-93	03/17/93	SB
						B1 ADDED -6, -7, -8 PER NPR 4841	07/08/93	MW
						C REV PER EC 0020-309-95	05/04/95	JS
						D REV PER EC 0020-881-95	25 AUG 95	JS
						E OBSOLETE -6 THRU -8 PER EC 0420-141-96	25 SEPT 87	SB
						F ADDED -9 PER EC 0640-270-98	20 JUL 98	JK



- PARTS PACKAGED UNASSEMBLED AS A UNIT KIT.
 CABLE CLAMP HALVES: ZINC ALLOY, FILLISTER HEAD SCREWS, HEX NUTS & MOUNTING SCREWS: STEEL PER ASTM A108, GROMMETS: FLEXIBLE PVC, UL 94V-0 RATED, COLOR: BLACK.
- CABLE CLAMP HALVES: NICKEL OVER COPPER, FILLISTER HEAD SCREWS, HEX NUTS & MOUNTING SCREWS: ZINC PLATED PER ASTM B633, TYPE III, CLASS SC1, CLEAR CHROMATE.



GROMMET ASSORTMENT FOR SIZES 1 & 2 ONLY



GROMMET ASSORTMENT FOR SIZES 3, 4 & 5 ONLY

	BULK PACK	.680	.620	2.090	1.920	1.852	3	748676-9
OBSOLETE	SMALL PACK	.680	.620	2.090	1.920	1.852	3	748676-8
OBSOLETE	SMALL PACK	.620	.620	1.545	1.910	1.312	2	748676-7
OBSOLETE	SMALL PACK	.550	.620	1.215	1.910	.984	1	748676-6
	STANDARD	.900	.730	2.644	1.920	2.406	5	748676-5
	STANDARD	.800	.620	2.738	1.920	2.500	4	748676-4
	STANDARD	.680	.620	2.090	1.920	1.852	3	748676-3
	STANDARD	.620	.620	1.545	1.910	1.312	2	748676-2
	STANDARD	.550	.620	1.215	1.910	.984	1	748676-1
	PACKAGING	E	D	C	B	A	SIZE	PART NO

DO NOT SCALE PRINT. UNLESS SPECIFIED DIMENSIONS IN INCHES TOLERANCES ON: 2 PLC DEC ± .005 3 PLC DEC ± .005 ANGLES ± -	DR 5/4/88 S. WELDON CHK 5/4/88 W.G. LENKER APPD 5/6/88 R. WHYNE APPD 5/6/88 V. KUMAR	AMP INCORPORATED Harrisburg, Pa. 17105	
MATERIAL	PRODUCT SPEC	KIT, CABLE CLAMP, 180° EXIT, W/GROMMETS, AMPLIMITE™	
FINISH	APPLICATION SPEC	SIZE D	FSCM NO 00779
	WEIGHT	SCALE 3:1	DRAWING NO 748676
			SHEET 1 OF 1