



Chipsmall Limited consists of a professional team with an average of over 10 year of expertise in the distribution of electronic components. Based in Hongkong, we have already established firm and mutual-benefit business relationships with customers from,Europe,America and south Asia,supplying obsolete and hard-to-find components to meet their specific needs.

With the principle of “Quality Parts,Customers Priority,Honest Operation,and Considerate Service”,our business mainly focus on the distribution of electronic components. Line cards we deal with include Microchip,ALPS,ROHM,Xilinx,Pulse,ON,Everlight and Freescale. Main products comprise IC,Modules,Potentiometer,IC Socket,Relay,Connector.Our parts cover such applications as commercial,industrial, and automotives areas.

We are looking forward to setting up business relationship with you and hope to provide you with the best service and solution. Let us make a better world for our industry!



Contact us

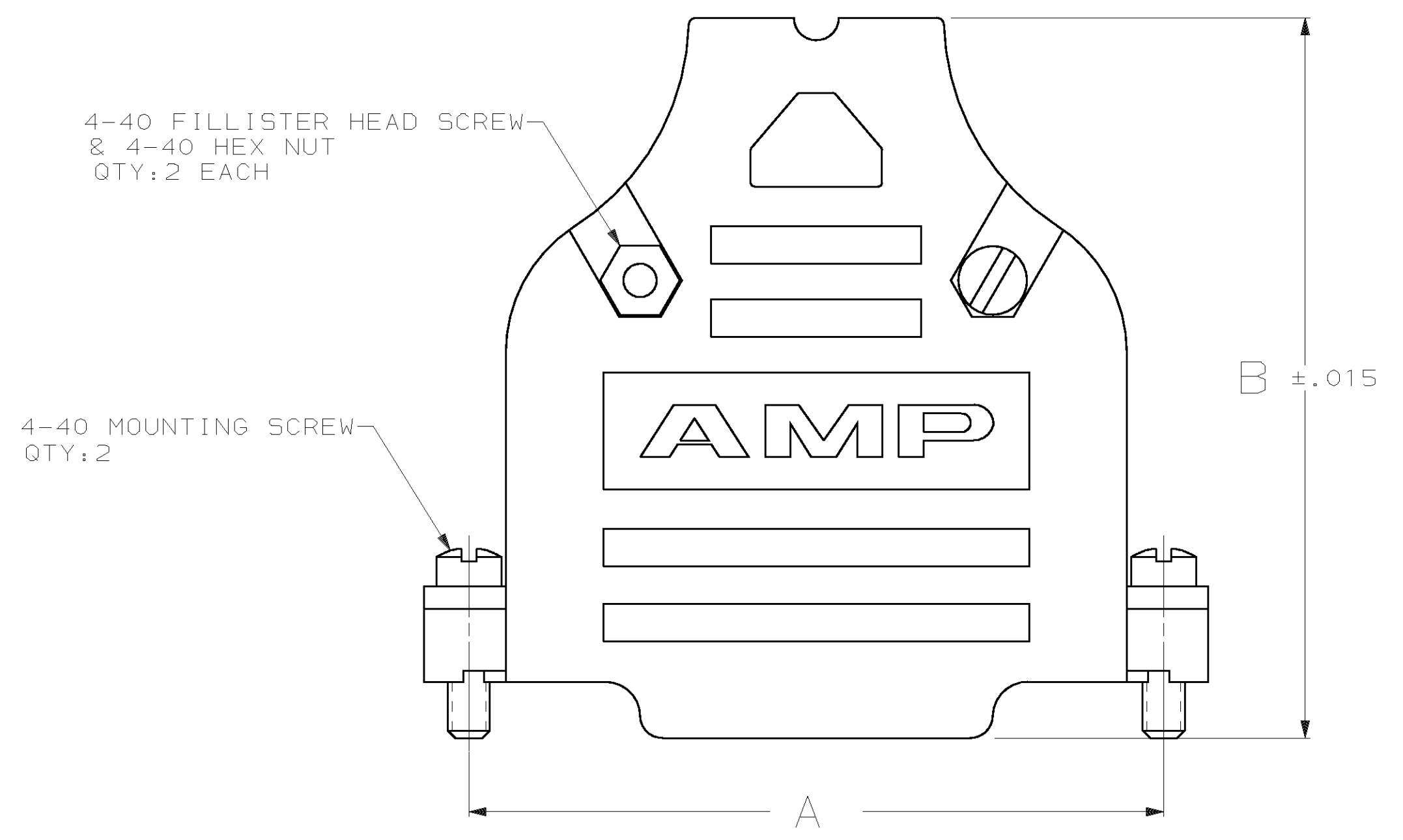
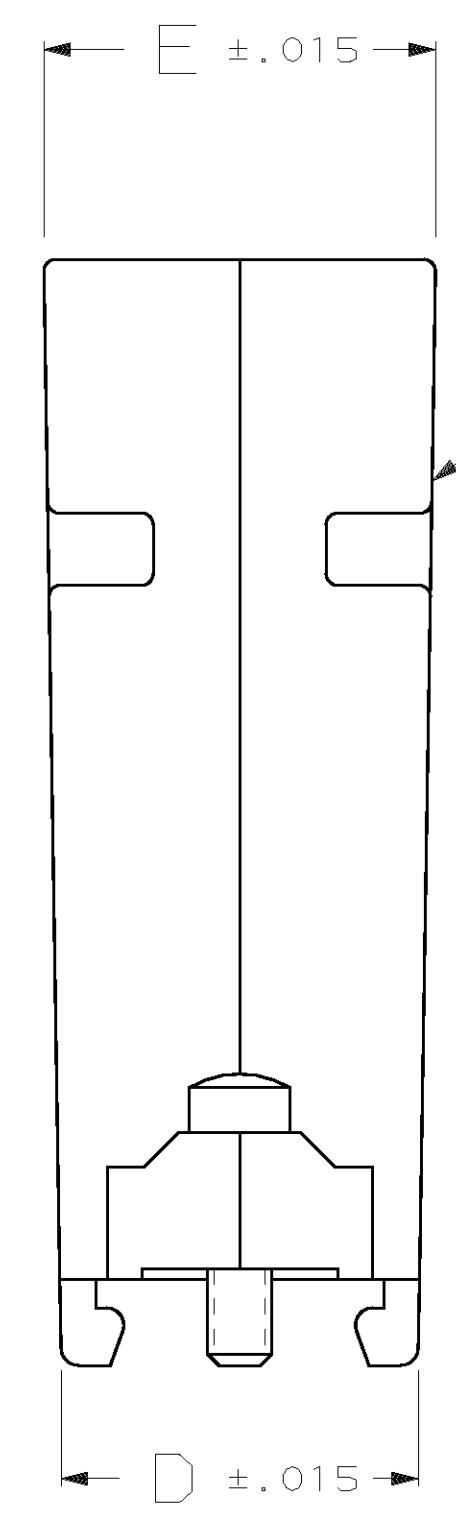
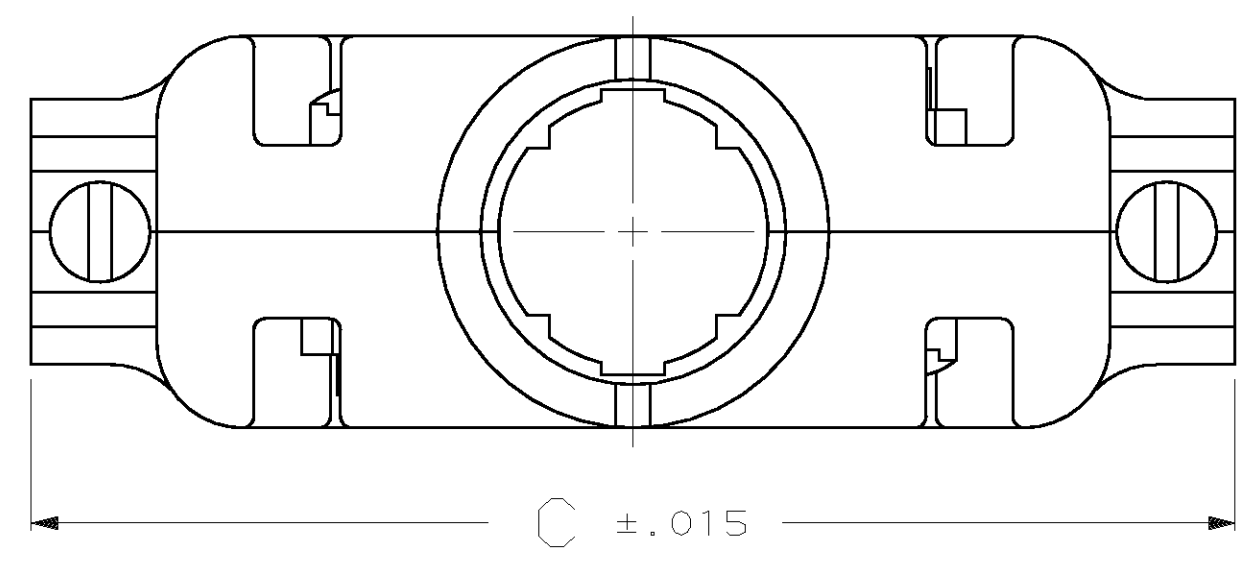
Tel: +86-755-8981 8866 Fax: +86-755-8427 6832

Email & Skype: info@chipsmall.com Web: www.chipsmall.com

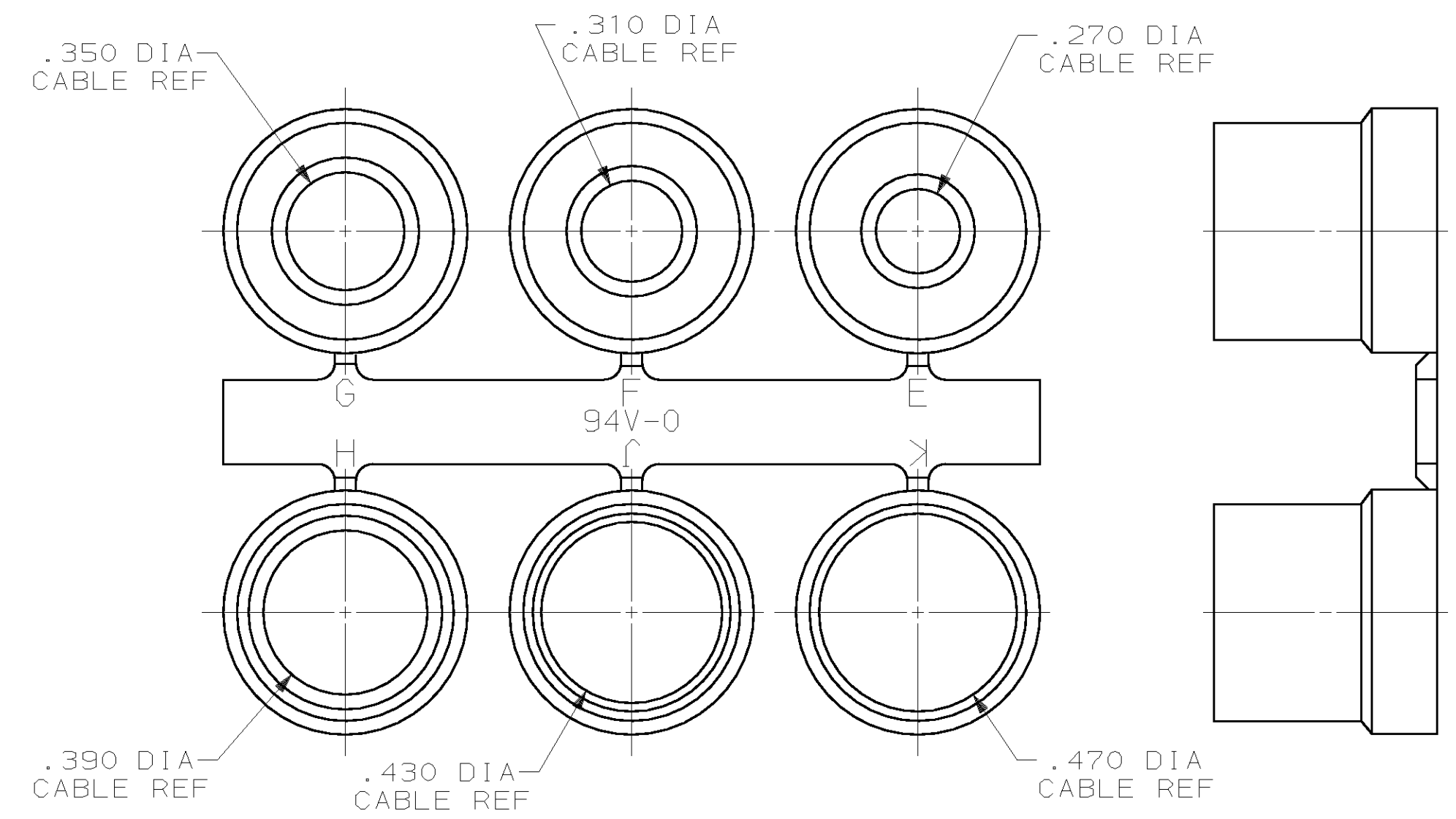
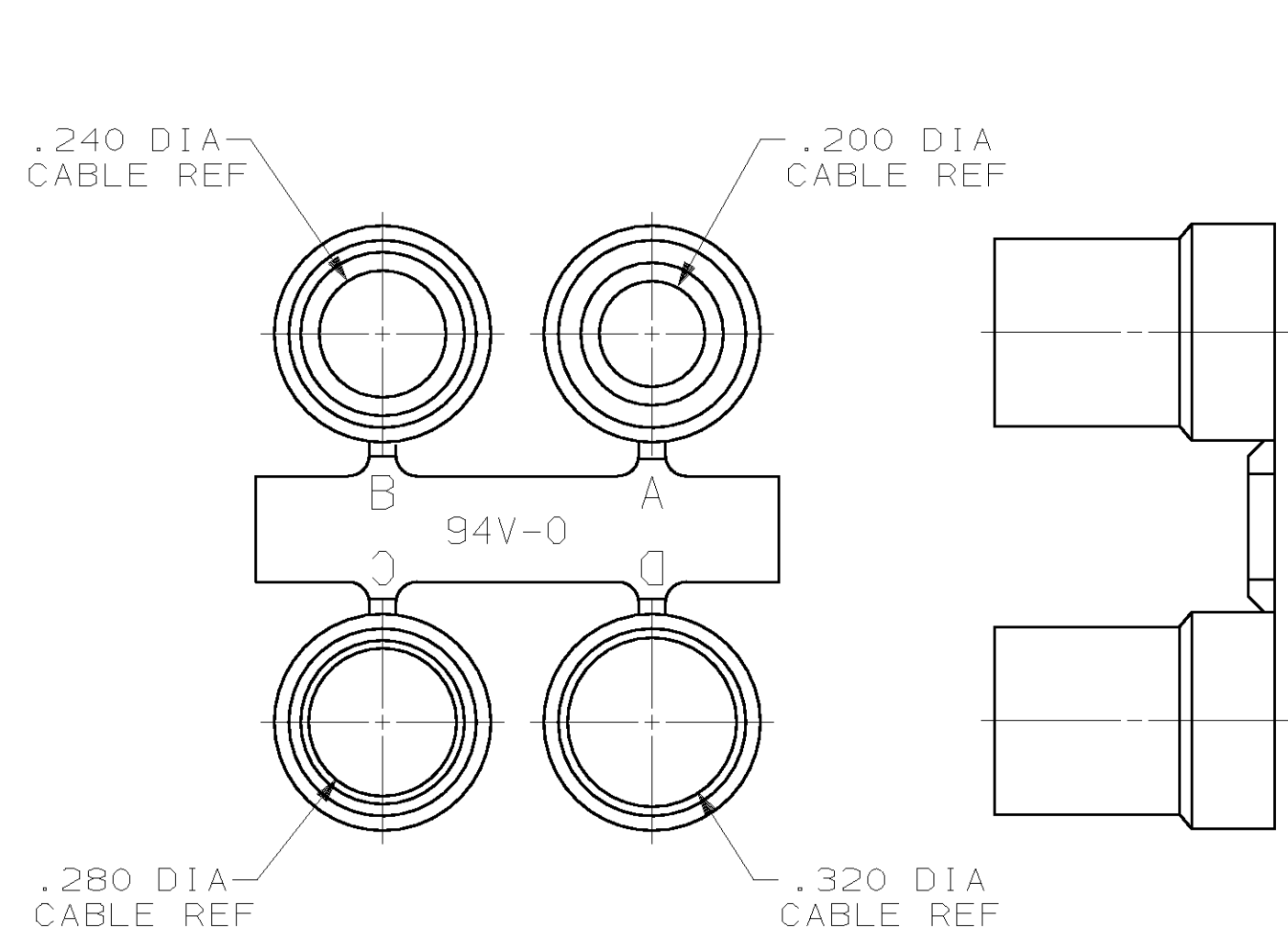
Address: A1208, Overseas Decoration Building, #122 Zhenhua RD., Futian, Shenzhen, China



LOC		DIST		P		F		ZONE		LTR		REVISIONS			
GP	00											DESCRIPTION	DATE	APPD	
												0	RELEASED	-	-
												A	REVISED PER ECN-2422	8/24/88	SW
												B	REVISED PER ECN BD5388	11/27/91	-
												C	ADDED -6, NPR 4456, WAS 92-5897-10-1	10/30/92	SB
												D	REV PER EC 0020-117-93	03/17/93	SB
												E	REV PER EC 0020-995-93	08/11/93	SB
												F	REV PER EC 0020-1344-93	11/01/93	SB
												G	RLSE -7 EC 0020-220-94, WAS 93-5897-1-1	04/11/94	LF
												H	OBS -7 PER EC 0U1D-0245-00	05 FEB 01	DK
												J	REV PER EC 0U1D-0247-00	16 JAN 02	JR



- 1 PARTS PACKAGED UNASSEMBLED AS A UNIT KIT.
- 2 CABLE CLAMPS: ABS COMPOUND, SEE TABLE FOR COLOR, FILLISTER HEAD SCREWS, HEX NUTS & MOUNTING SCREWS: STEEL PER ASTM A108, GROMMETS: FLEXIBLE PVC, UL 94V-0 RATED, COLOR: BLACK.
- 3 CABLE CLAMPS: UNPLATED, FILLISTER HEAD SCREWS, HEX NUTS & MOUNTING SCREWS: ZINC PLATED PER ASTM B633, TYPE III, CLASS SC1, CLEAR CHROMATE.
- 4 PARTS BULK PACKAGED UNASSEMBLED.



OBSOLETE	TYPE	COLOR	E	D	C	B	A	SIZE	PART NO
OBSOLETE	TYPE 1	BLACK	.570	.630	1.215	1.910	.984	1	748678-7
OBSOLETE	TYPE 1	GRAY	.620	.630	1.545	1.910	1.312	2	748678-6
	TYPE 2	BLACK	.900	.730	2.644	1.920	2.406	5	748678-5
	TYPE 2	BLACK	.800	.620	2.738	1.920	2.500	4	748678-4
	TYPE 2	BLACK	.680	.640	2.090	1.920	1.852	3	748678-3
	TYPE 1	BLACK	.620	.620	1.545	1.910	1.312	2	748678-2
	TYPE 1	BLACK	.570	.630	1.215	1.910	.984	1	748678-1
GROMMET ASSORTMENT	CABLE CLAMP COLOR	E	D	C	B	A	SIZE	PART NO	

DO NOT SCALE PRINT. UNLESS SPECIFIED DIMENSIONS IN INCHES. TOLERANCES ON: 2 PLC DEC ±, 3 PLC DEC ±.005, ANGLES ±.

DR 5/4/88 S.WELDON
 CHK 5/4/88 W.G.LENKER
 APPD 5/6/88 R.WHYNE
 APPD 5/6/88 V.KUMAR

MATERIAL: 2
 FINISH: 3

AMP INCORPORATED
 Harrisburg, Pa. 17105

NAME: KIT, CABLE CLAMP, 180 DEGREES EXIT, UNPLATED, BLACK, W/ GROMMETS, AMPLIMITE™

APPLICATION SPEC: -
 WEIGHT: -

SIZE: D
 FSCH NO: 00779
 DRAWING NO: 748678
 SCALE: 3:1
 SHEET: 1 OF 1