



Chipsmall Limited consists of a professional team with an average of over 10 year of expertise in the distribution of electronic components. Based in Hongkong, we have already established firm and mutual-benefit business relationships with customers from,Europe,America and south Asia,supplying obsolete and hard-to-find components to meet their specific needs.

With the principle of "Quality Parts,Customers Priority,Honest Operation,and Considerate Service",our business mainly focus on the distribution of electronic components. Line cards we deal with include Microchip,ALPS,ROHM,Xilinx,Pulse,ON,Everlight and Freescale. Main products comprise IC,Modules,Potentiometer,IC Socket,Relay,Connector.Our parts cover such applications as commercial,industrial, and automotives areas.

We are looking forward to setting up business relationship with you and hope to provide you with the best service and solution. Let us make a better world for our industry!



Contact us

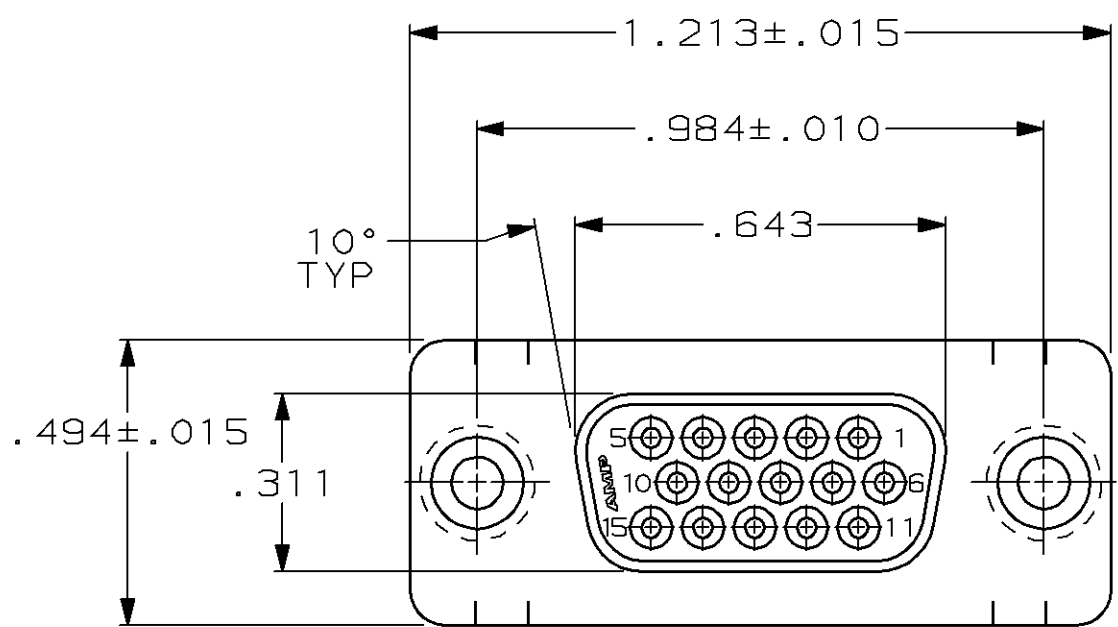
Tel: +86-755-8981 8866 Fax: +86-755-8427 6832

Email & Skype: info@chipsmall.com Web: www.chipsmall.com

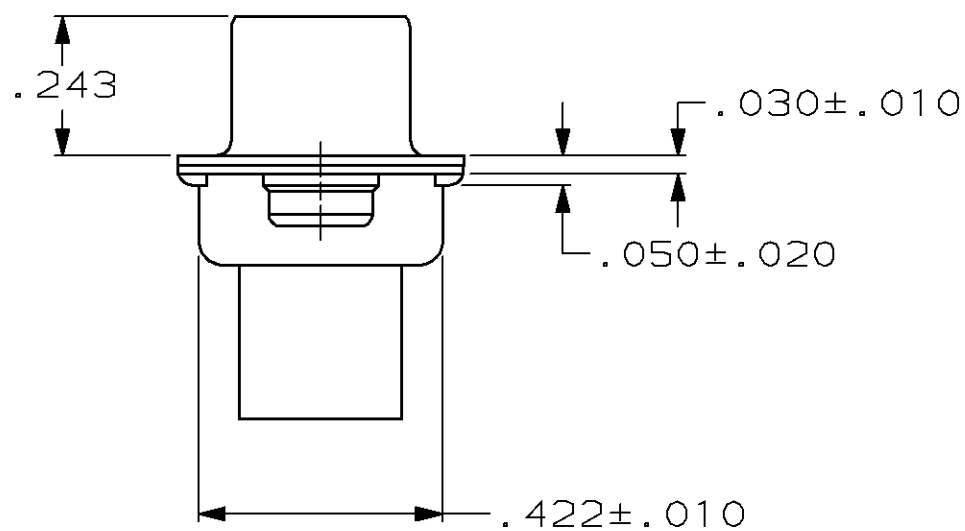
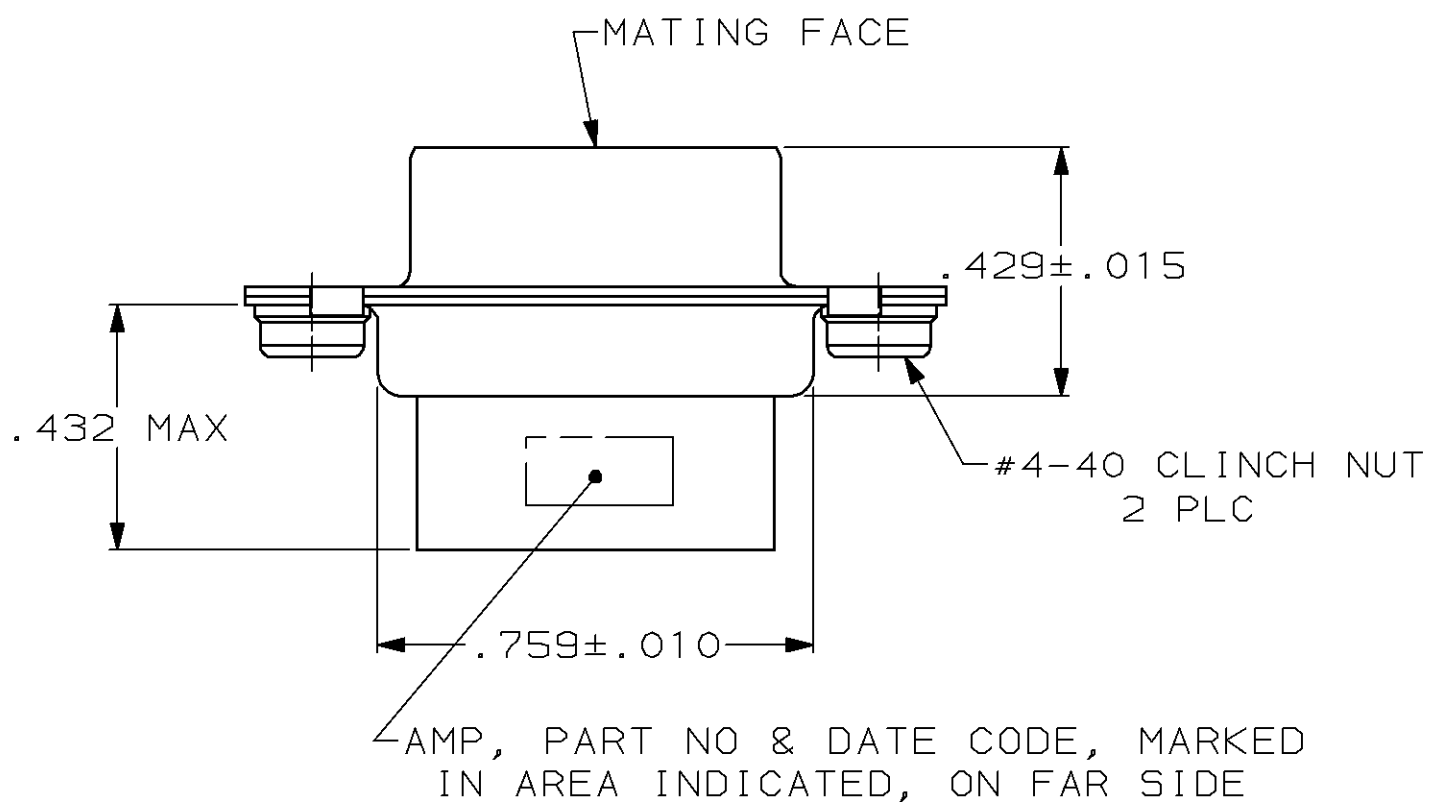
Address: A1208, Overseas Decoration Building, #122 Zhenhua RD., Futian, Shenzhen, China



LOC	DIST	P	F	REVISIONS			DATE	APPD
BD	39			ZONE	LTR	DESCRIPTION		
					0	RELEASED	-	-



1. CONNECTOR ACCEPTS SIZE 22 DF SOCKET CONTACTS, RETENTION TINES ARE AN INTEGRAL PART OF INSERT.
2. FLAME RETARDANT 94V-0 RATED GLASS FILLED NYLON, COLOR: BLACK.
3. STEEL PER ASTM A109.
4. STEEL.
5. TIN PLATED PER MIL-T-10727.
6. ZINC PLATED PER ASTM B633, TYPE II, CLASS SC1, YELLOW CHROMATE.



748696-1

PART NO

DO NOT SCALE PRINT. UNLESS SPECIFIED DIMENSIONS IN INCHES TOLERANCES ON : 2 PLC DEC ± - 3 PLC DEC ± .005 ANGLES ± 2°	DR -	AMP INCORPORATED Harrisburg, Pa. 17105
	CHK -	
	APPD -	
	APPD -	
MATERIAL MOLDED PARTS: 2	PRODUCT SPEC -	NAME RECEPTACLE CONNECTOR, SIZE 1, 15 POSN, WITH NON-LOCKING CLINCH NUTS, AMPLIMITE® HDP-22
SHELLS: 3	APPLICATION SPEC -	
CLINCH NUTS: 4	WEIGHT -	
FINISH SHELLS: 5	SCALE 3:1	SIZE C
CLINCH NUTS: 6		FSCM NO 00779
		DRAWING NO 748696
		SHEET 1 OF 1