



Chipsmall Limited consists of a professional team with an average of over 10 year of expertise in the distribution of electronic components. Based in Hongkong, we have already established firm and mutual-benefit business relationships with customers from,Europe,America and south Asia,supplying obsolete and hard-to-find components to meet their specific needs.

With the principle of “Quality Parts,Customers Priority,Honest Operation,and Considerate Service”,our business mainly focus on the distribution of electronic components. Line cards we deal with include Microchip,ALPS,ROHM,Xilinx,Pulse,ON,Everlight and Freescale. Main products comprise IC,Modules,Potentiometer,IC Socket,Relay,Connector.Our parts cover such applications as commercial,industrial, and automotives areas.

We are looking forward to setting up business relationship with you and hope to provide you with the best service and solution. Let us make a better world for our industry!



## Contact us

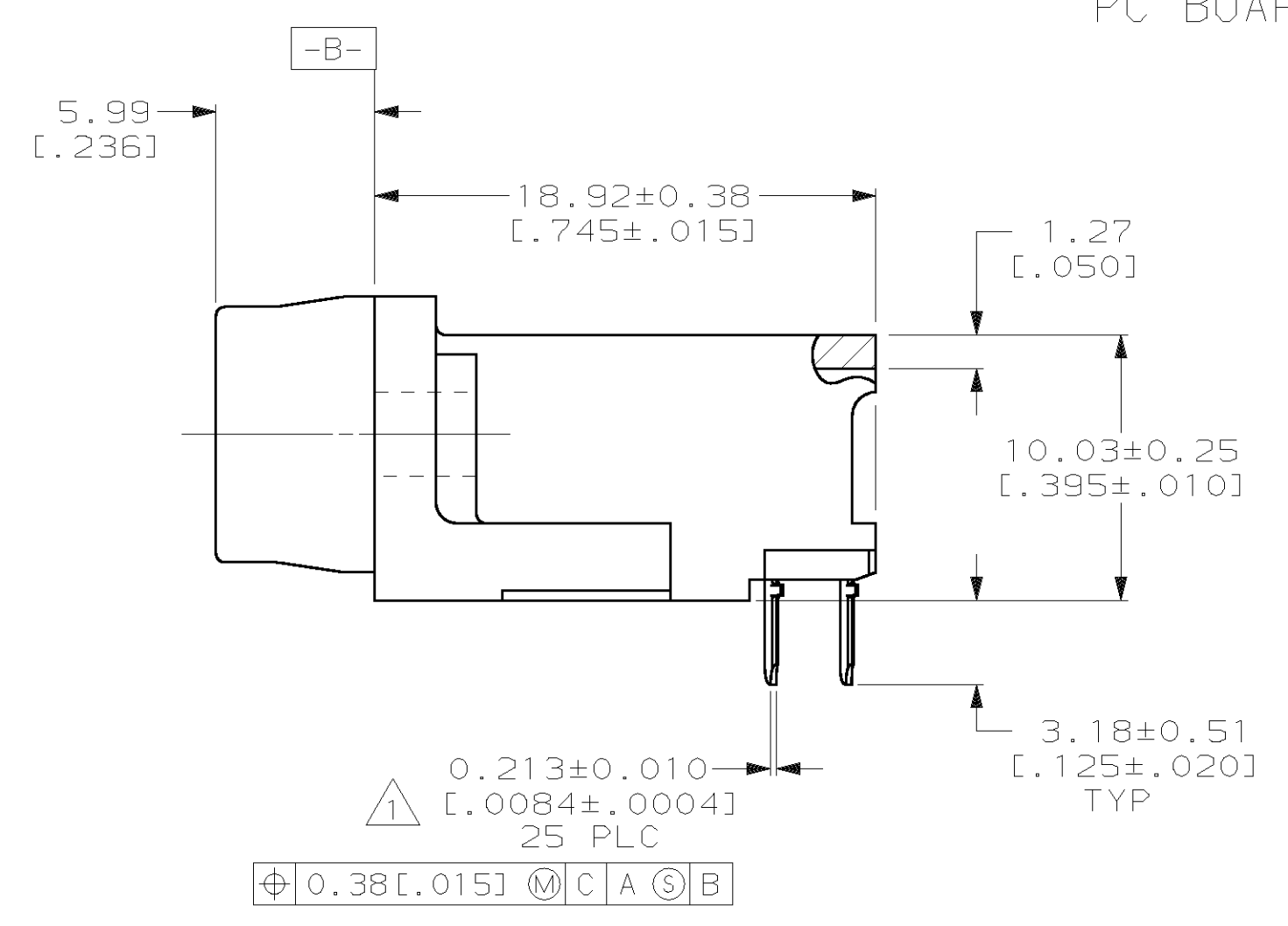
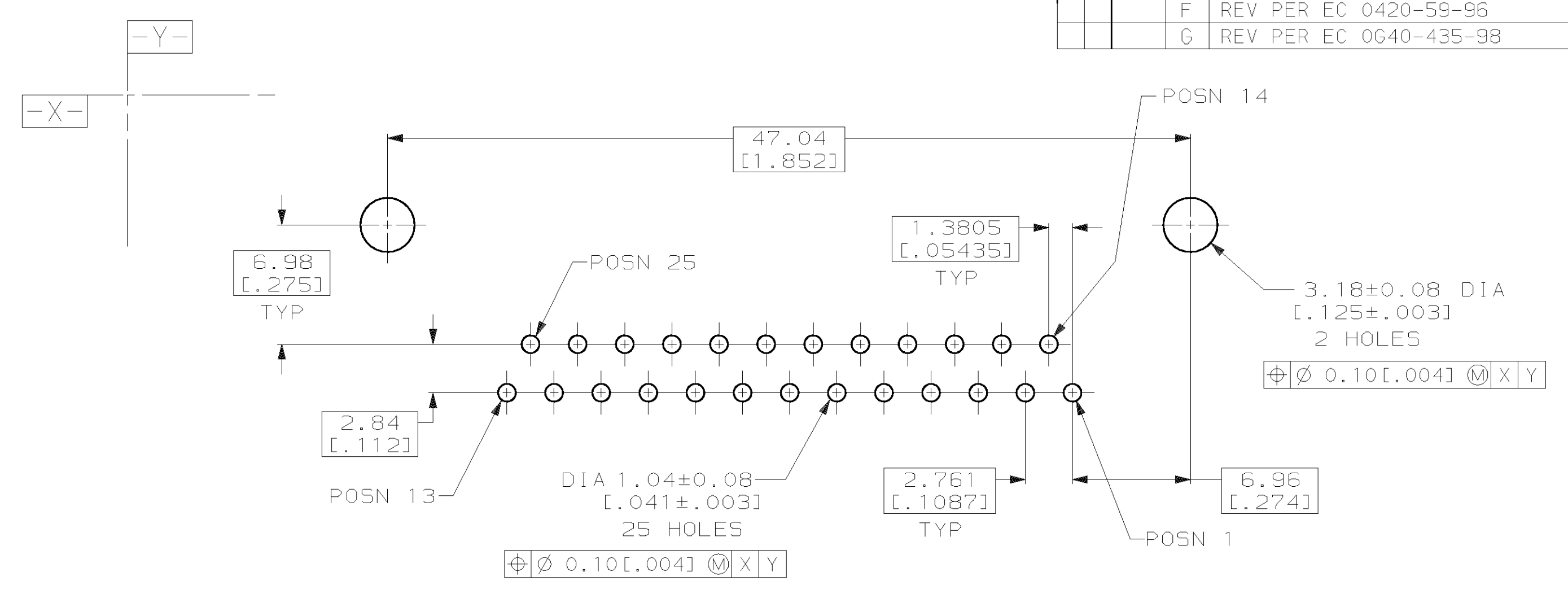
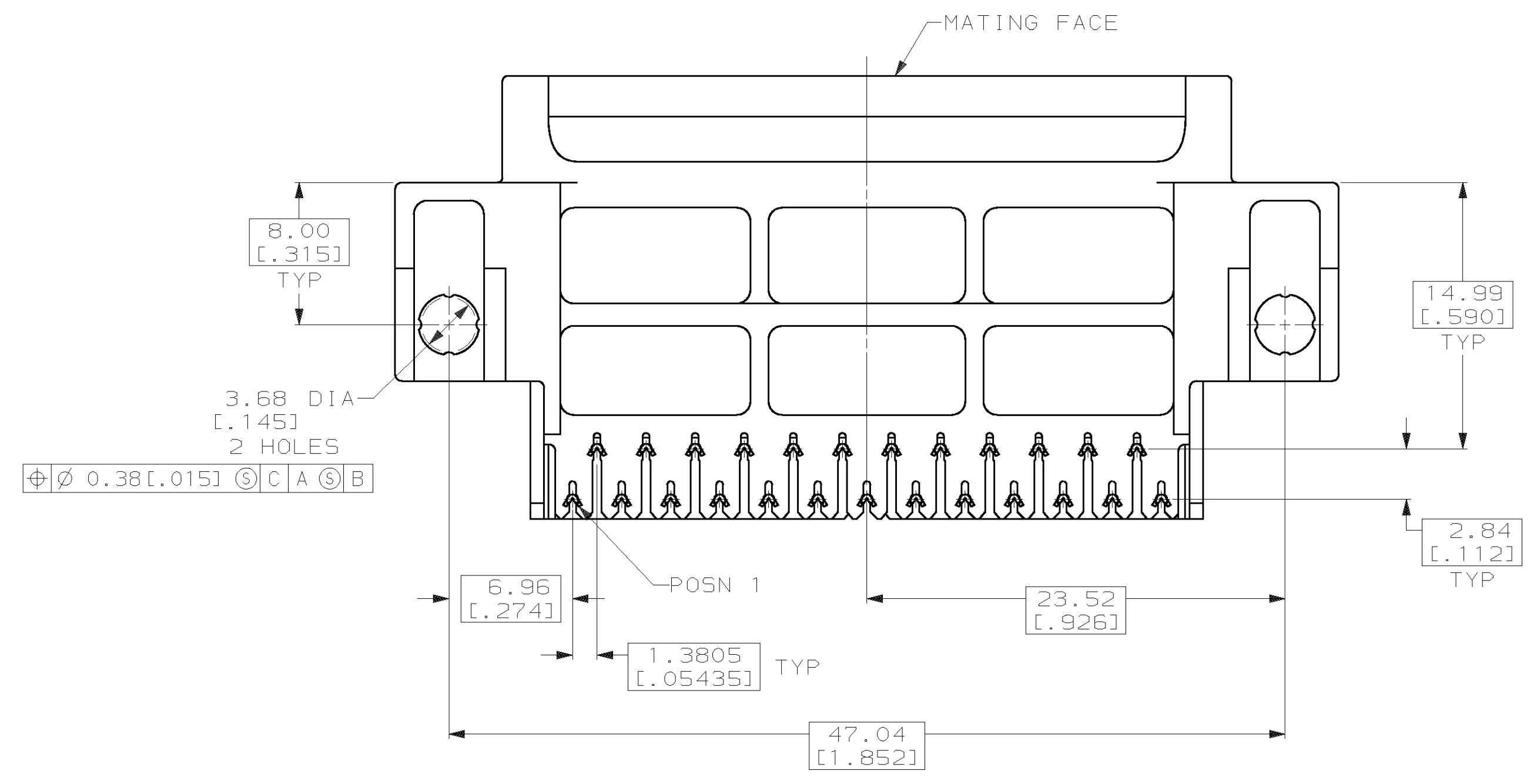
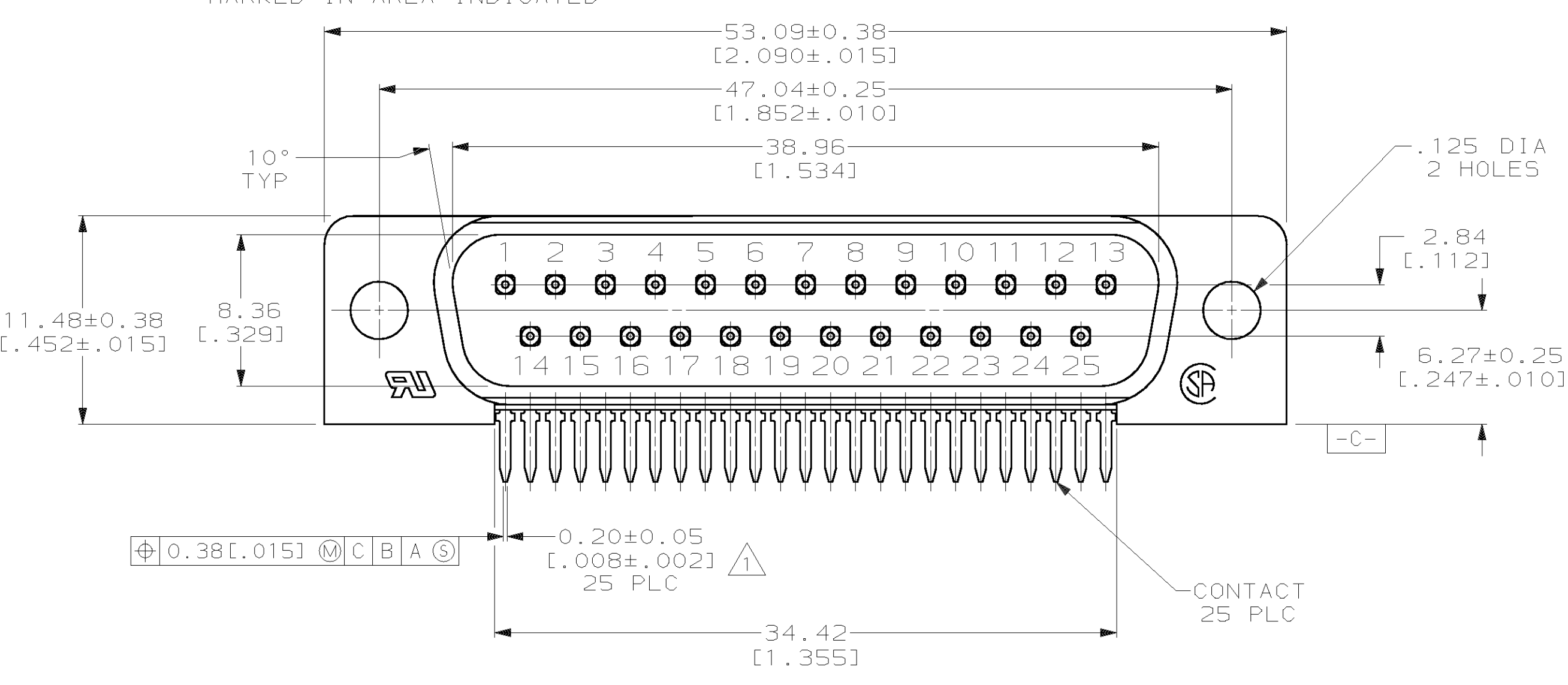
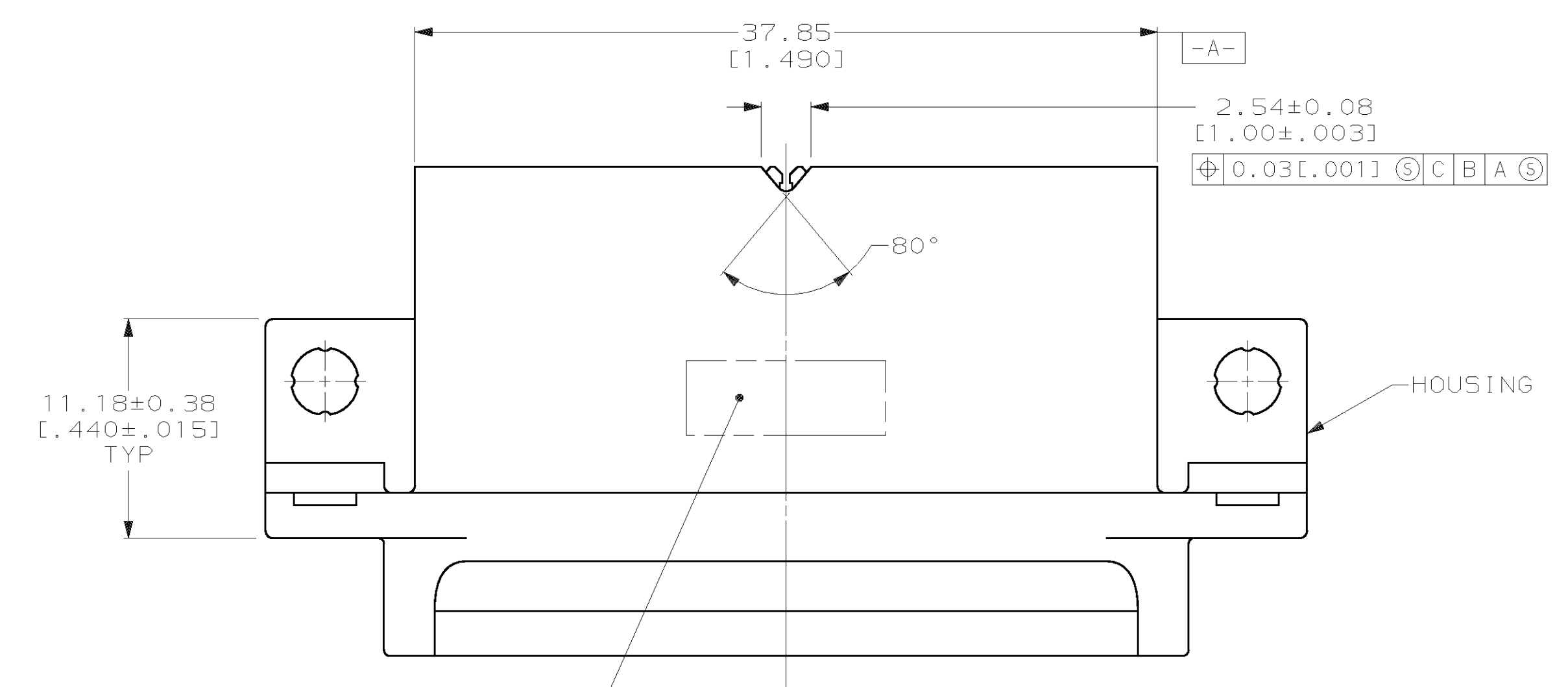
Tel: +86-755-8981 8866 Fax: +86-755-8427 6832

Email & Skype: info@chipsmall.com Web: www.chipsmall.com

Address: A1208, Overseas Decoration Building, #122 Zhenhua RD., Futian, Shenzhen, China



| LOC | DIST | P | F | ZONE | LTR | DESCRIPTION             | DATE      | APPD |
|-----|------|---|---|------|-----|-------------------------|-----------|------|
| BD  | 77   |   |   |      |     |                         |           |      |
|     |      |   |   |      |     | REV PER EC 0020-1053-95 | 05 JAN 96 | RLT  |
|     |      |   |   |      |     | REV PER EC 0420-59-96   | 20 SEP 96 | RT   |
|     |      |   |   |      |     | REV PER EC 0640-435-98  | 17 MAR 99 | RT   |



- ① POSITION TOLERANCE APPLIES AT TIP ONLY.
- ② NYLON OR POLYESTER, UL94V-0, BLACK.
- ③ BRASS PER MIL-C-50
- ④ GOLD PLATING PER MIL-G-45204, NICKEL PLATING PER QQ-N-290, TIN PLATING PER MIL-T-10727.
- ⑤ GOLD PLATED FOR A LENGTH OF 3.81 [.150] MIN FROM MATING END, 0.76µm [.000030] MIN GOLD IN MATED AREA. 3.05µm [.000120] MIN TIN-LEAD FOR A LENGTH OF 3.68 [.145] MIN FROM OPPOSITE END, BOTH OVER 1.27µm [.000050] MIN NICKEL.
- ⑥ GOLD PLATED FOR A LENGTH OF 3.81 [.150] MIN FROM MATING END, GOLD FLASH IN MATED AREA. 3.05µm [.000120] MIN TIN-LEAD FOR A LENGTH OF 3.68 [.145] MIN FROM OPPOSITE END, BOTH OVER 1.27µm [.000050] MIN NICKEL.

|   |  |                            |  |   |  |
|---|--|----------------------------|--|---|--|
| DO NOT SCALE PRINT. UNLESS SPECIFIED DIMENSIONS IN mm [INCHES] TOLERANCES ON: |  | DR 02/16/90 S.WELDON       |  | 748826-2  |  |
| 2 PLC DEC ± 0.13 [0.05]   |  | CHK 3-6-90 R.STONE         |  | 748826-1  |  |
| 3 PLC DEC ± -   |  | APPD 3-8-90 J.SWAIN        |  | CONTACT FINISH PART NO  |  |
| ANGLES ± 2°   |  | APPD 3-8-90 C.ROHDE        |  | AMP INCORPORATED Harrisburg, Pa. 17105  |  |
| MATERIAL HOUSING: ② CONTACTS: ③   |  | PRODUCT SPEC 108-1226      |  | NAME  |  |
| FINISH ④ CONTACTS: SEE TABLE  |  | APPLICATION SPEC 114-40027 |  | PLUG ASSEMBLY, SIZE 3, 25 POSN, ALL PLASTIC, RIGHT ANGLE, .590 SERIES, AMPLIMITE® III |  |
| SIZE D  |  | CAGE CODE 00779            |  | DRAWING NO 748826   |  |
| SCALE 4:1   |  | WEIGHT -                   |  | SHEET 1 OF 1  |  |