



Chipsmall Limited consists of a professional team with an average of over 10 year of expertise in the distribution of electronic components. Based in Hongkong, we have already established firm and mutual-benefit business relationships with customers from,Europe,America and south Asia,supplying obsolete and hard-to-find components to meet their specific needs.

With the principle of "Quality Parts,Customers Priority,Honest Operation,and Considerate Service",our business mainly focus on the distribution of electronic components. Line cards we deal with include Microchip,ALPS,ROHM,Xilinx,Pulse,ON,Everlight and Freescale. Main products comprise IC,Modules,Potentiometer,IC Socket,Relay,Connector.Our parts cover such applications as commercial,industrial, and automotives areas.

We are looking forward to setting up business relationship with you and hope to provide you with the best service and solution. Let us make a better world for our industry!



Contact us

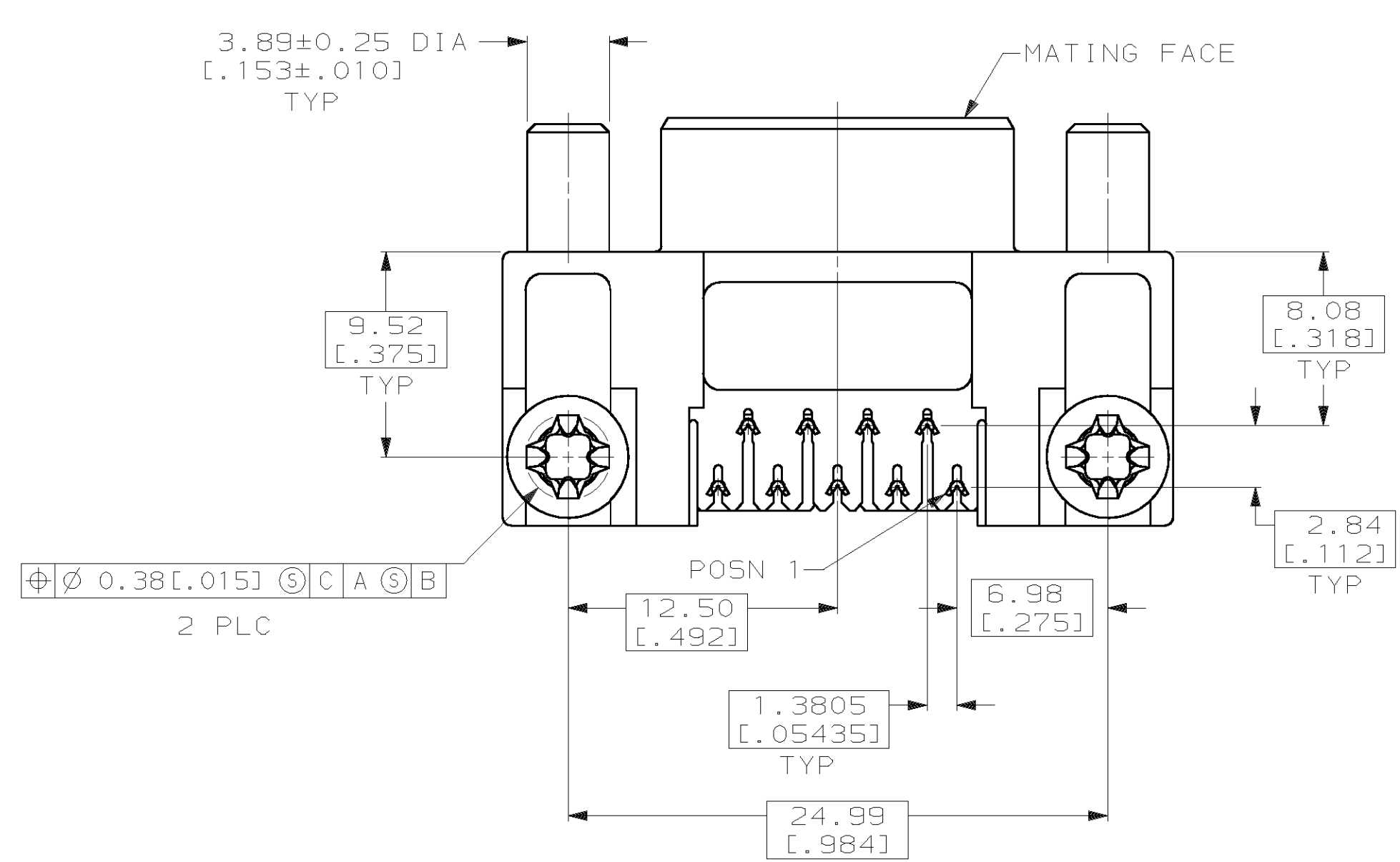
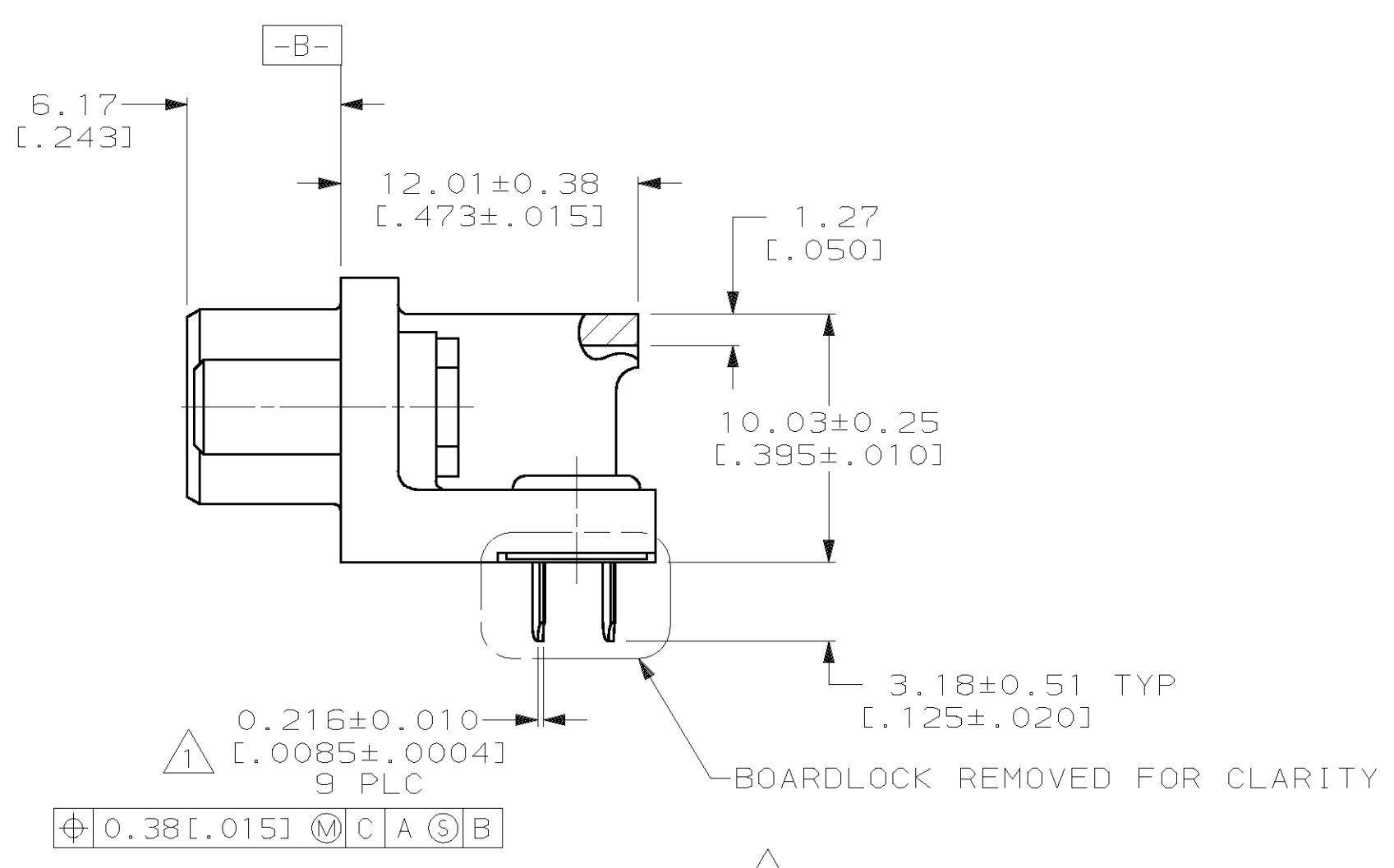
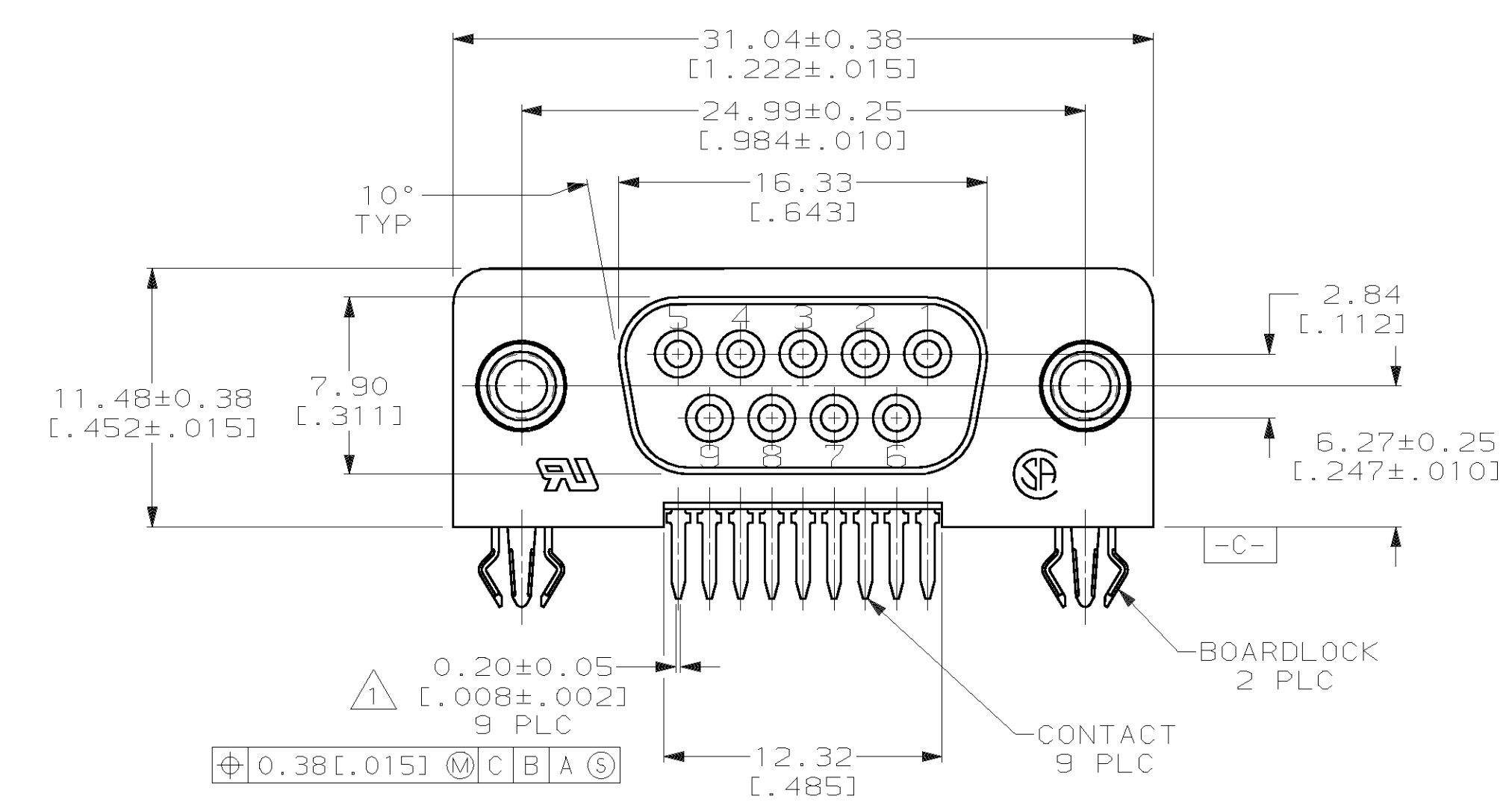
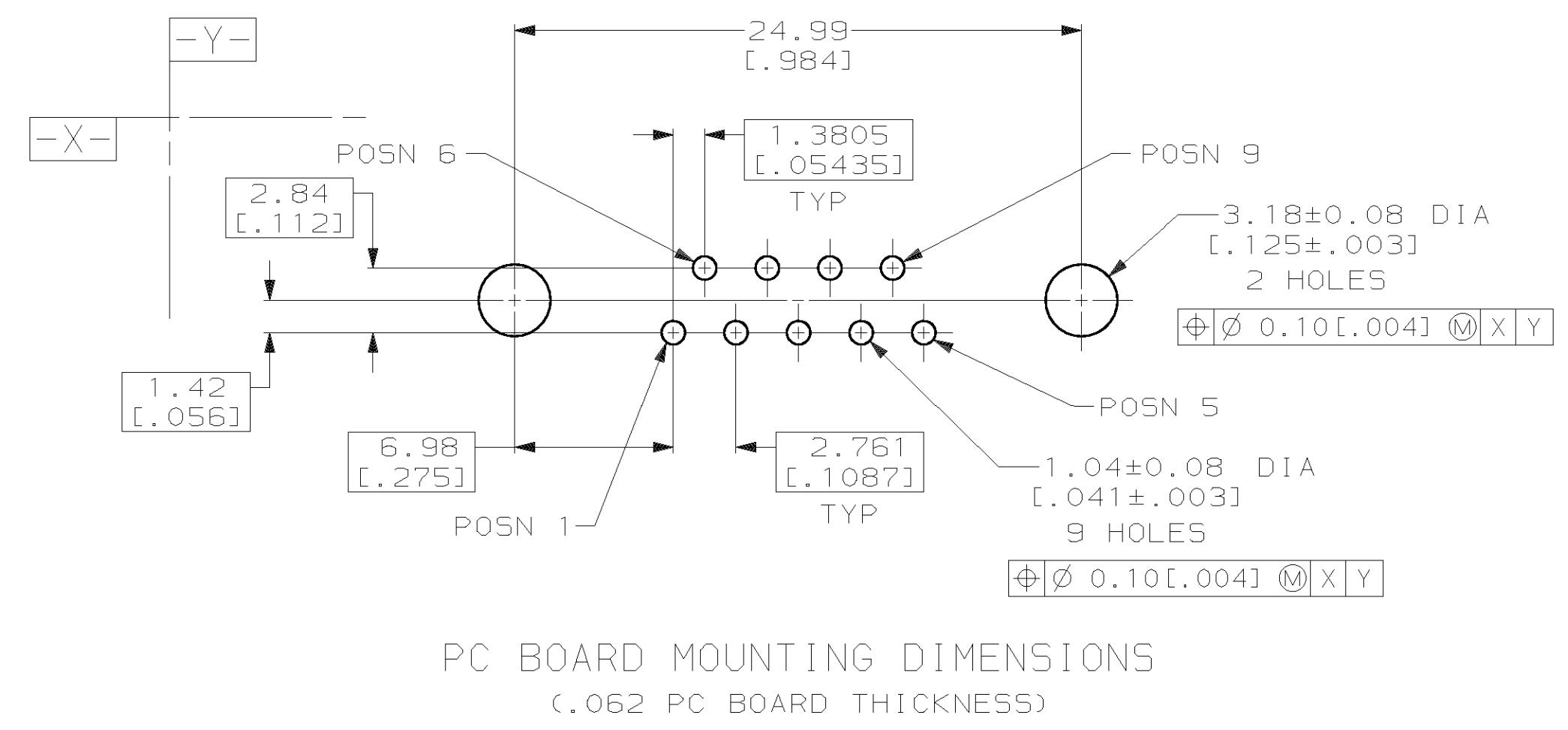
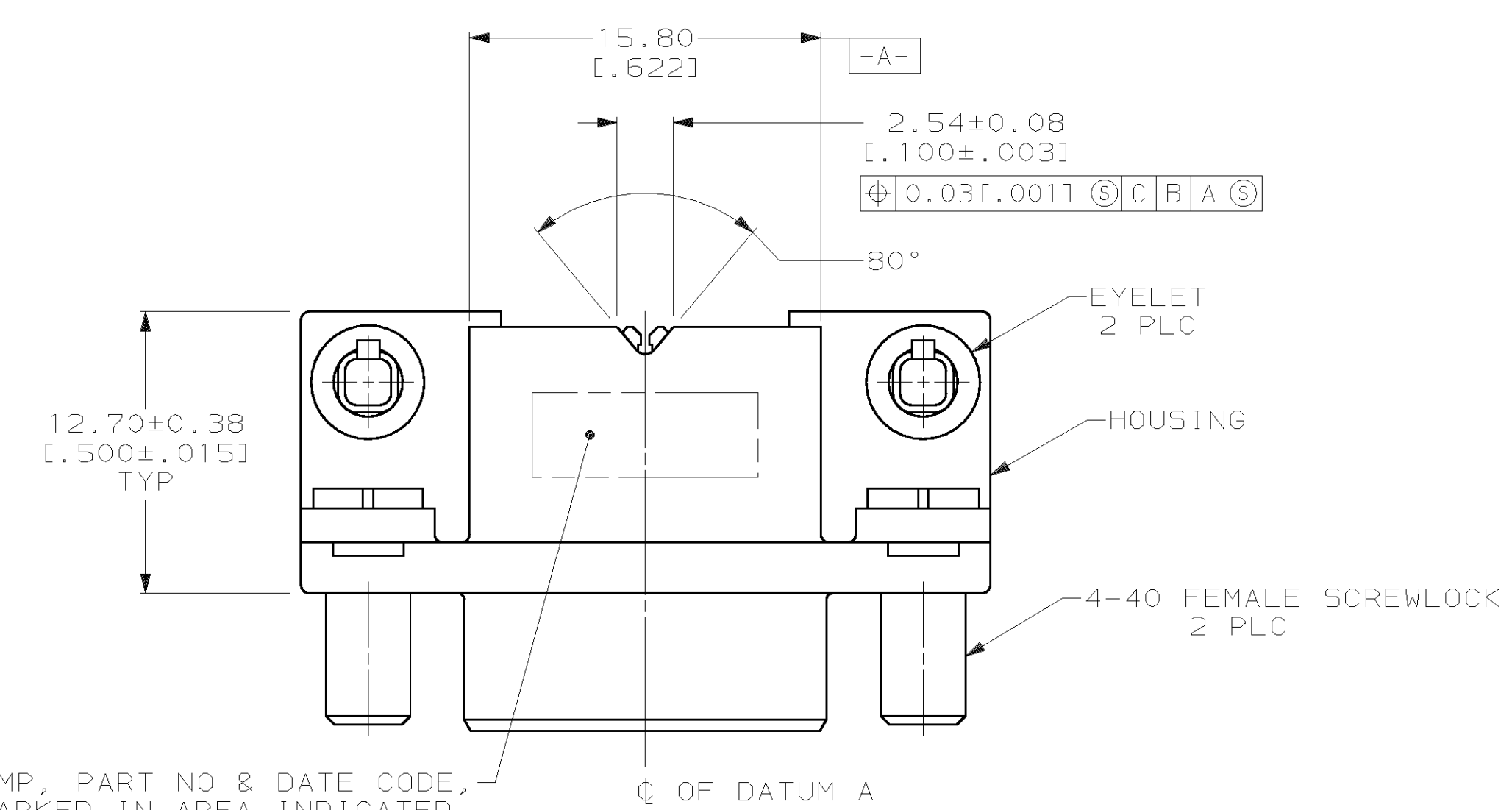
Tel: +86-755-8981 8866 Fax: +86-755-8427 6832

Email & Skype: info@chipsmall.com Web: www.chipsmall.com

Address: A1208, Overseas Decoration Building, #122 Zhenhua RD., Futian, Shenzhen, China



REVISONS		DATE	APPO
LOC	Q1ST	DESCRIPTION	
GP	00	F	JG
		F	JG
		REVISED PER EC 0513-0017-03	12MAY03



- 1 POSITION TOLERANCE APPLIES AT TIP ONLY.
- 2 NYLON OR POLYESTER, UL94V-0 RATED, BLACK.
- 3 PHOSPHOR BRONZE PER QQ-B-750.
- 4 EYELETS: BRASS; SCREWLOCKS: ZINC; BOARDLOCKS: COPPER ALLOY.
- 5 GOLD PLATING PER MIL-G-45204, NICKEL PLATING PER QQ-N-290, TIN PLATING PER MIL-T-10727.
- 6 EYELETS: 5.08 μm [0.000200] MIN TIN OVER COPPER FLASH; BOARDLOCKS: 5.08 μm [0.000200] MIN TIN-LEAD OVER 1.27 μm [0.000050] MIN NICKEL.
- 7 0.76 μm [0.000030] MIN GOLD FOR A LENGTH OF 1.52 [0.060] MIN FROM MATING END, 3.05 μm [0.000120] MIN TIN-LEAD FOR A LENGTH OF 3.68 [0.145] MIN FROM OPPOSITE END, BOTH OVER 1.27 μm [0.000050] MIN NICKEL.
- 8 GOLD FLASH FOR A LENGTH OF 1.52 [0.060] MIN FROM MATING END, 3.05 μm [0.000120] MIN TIN-LEAD FOR A LENGTH OF 3.68 [0.145] MIN FROM OPPOSITE END, BOTH OVER 1.27 μm [0.000050] MIN NICKEL.
- 9 0.25 μm [0.000010] MIN GOLD FOR A LENGTH OF 1.52 [0.060] MIN FROM MATING END, 3.05 μm [0.000120] MIN TIN-LEAD FOR A LENGTH OF 3.68 [0.145] MIN FROM OPPOSITE END, BOTH OVER 1.27 μm [0.000050] MIN NICKEL.

OBSOLETE	9	748979-3
OBSOLETE	8	748979-2
	7	748979-1

DO NOT SCALE PRINT. UNLESS SPECIFIED DIMENSIONS IN mm [INCHES] TOLERANCES ON: 2 PLC DEC ± 0.13 [0.005] 3 PLC DEC ± - ANGLES ± 2°	DR 08/03/89 S.WELDON CHK 8/29/89 R.STONE APPD 9/18/89 W.SWAIN APPD 9/18/89 C.RHODE	NAME RECEPTACLE ASSEMBLY, SIZE 1, 9 POSN, ALL PLASTIC, RIGHT ANGLE, .318 SERIES, AMPLIMITE® III
MATERIAL HOUSING: 2 CONTACTS: 3 HARDWARE: 4	PRODUCT SPEC 108-1226	SIZE D
FINISH 5 HARDWARE: 6 CONTACTS: SEE TABLE SCREWLOCKS: CLEAR CHROMATE	APPLICATION SPEC 114-40027	CAGE CODE 00779
	WEIGHT -	DRAWING NO 748979
		SCALE 4:1 SHEET 1 OF 1