



Chipsmall Limited consists of a professional team with an average of over 10 year of expertise in the distribution of electronic components. Based in Hongkong, we have already established firm and mutual-benefit business relationships with customers from,Europe,America and south Asia,supplying obsolete and hard-to-find components to meet their specific needs.

With the principle of “Quality Parts,Customers Priority,Honest Operation,and Considerate Service”,our business mainly focus on the distribution of electronic components. Line cards we deal with include Microchip,ALPS,ROHM,Xilinx,Pulse,ON,Everlight and Freescale. Main products comprise IC,Modules,Potentiometer,IC Socket,Relay,Connector.Our parts cover such applications as commercial,industrial, and automotives areas.

We are looking forward to setting up business relationship with you and hope to provide you with the best service and solution. Let us make a better world for our industry!



Contact us

Tel: +86-755-8981 8866 Fax: +86-755-8427 6832

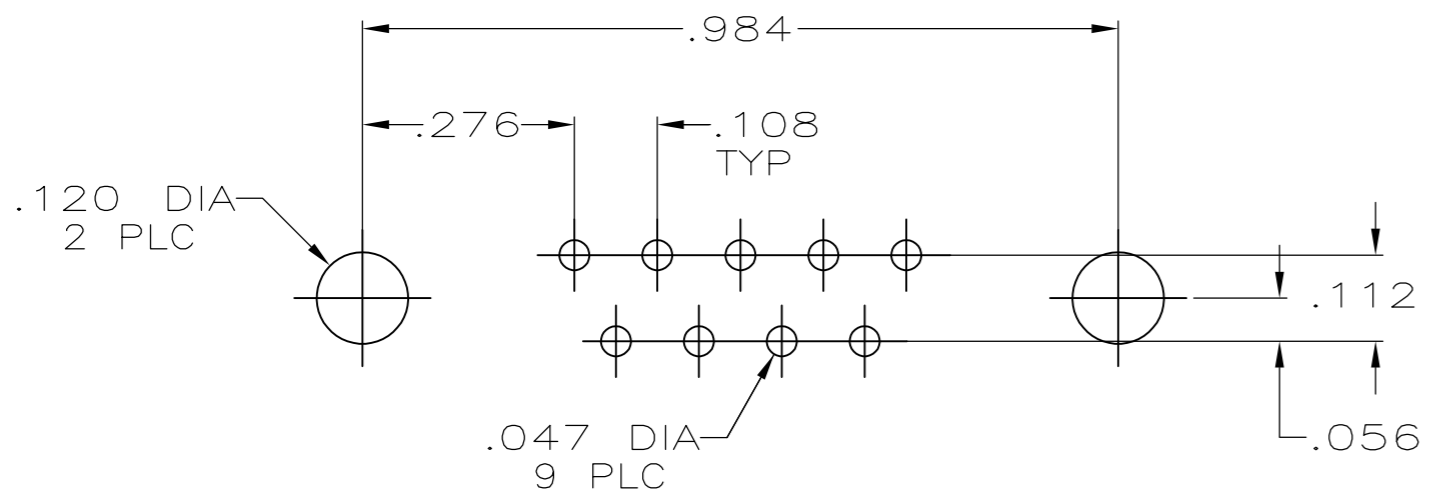
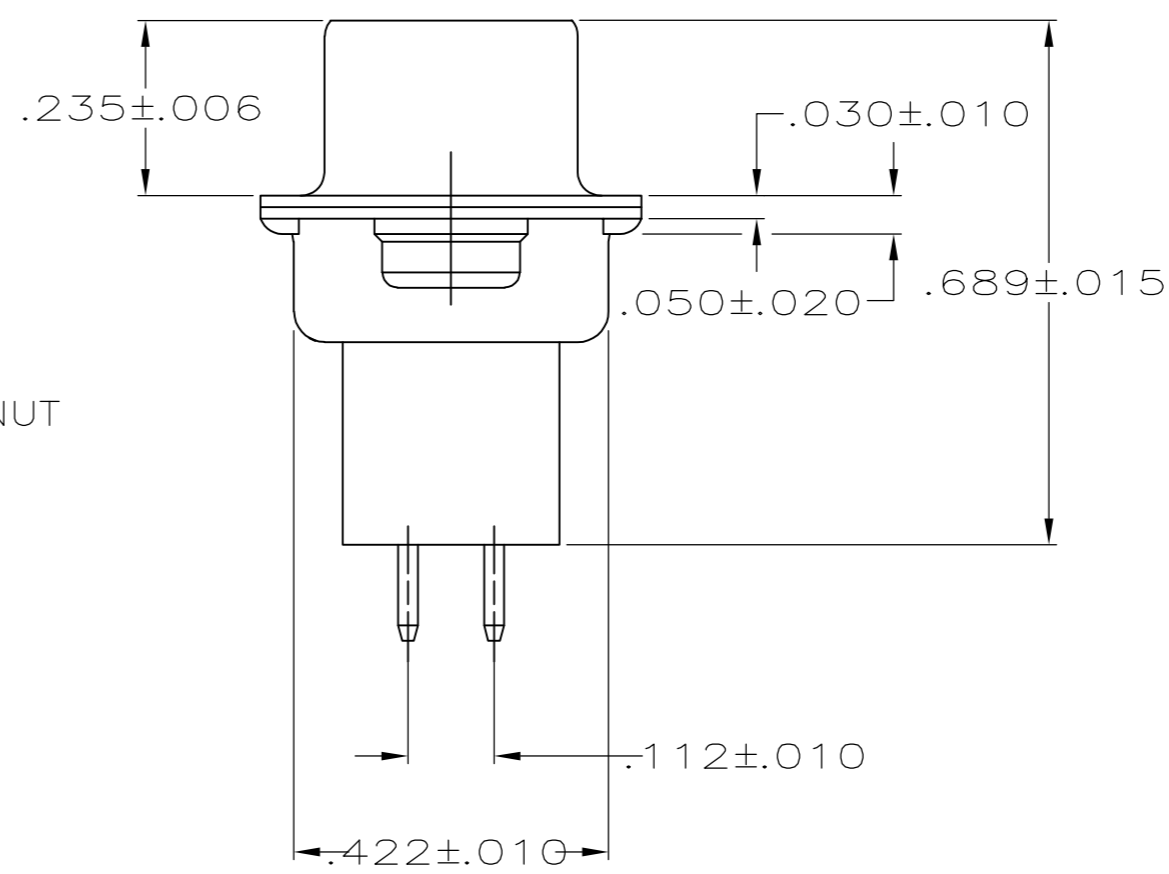
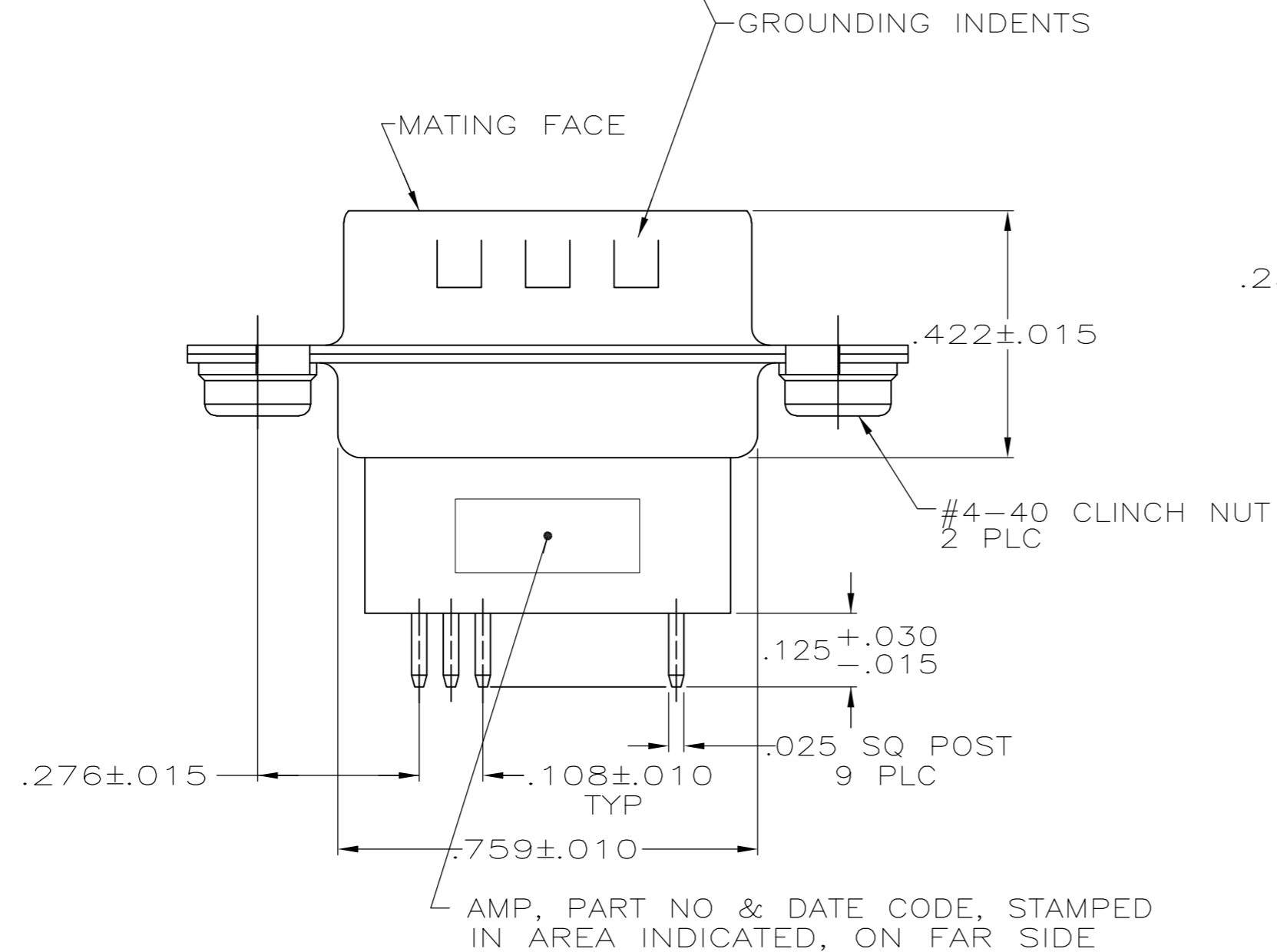
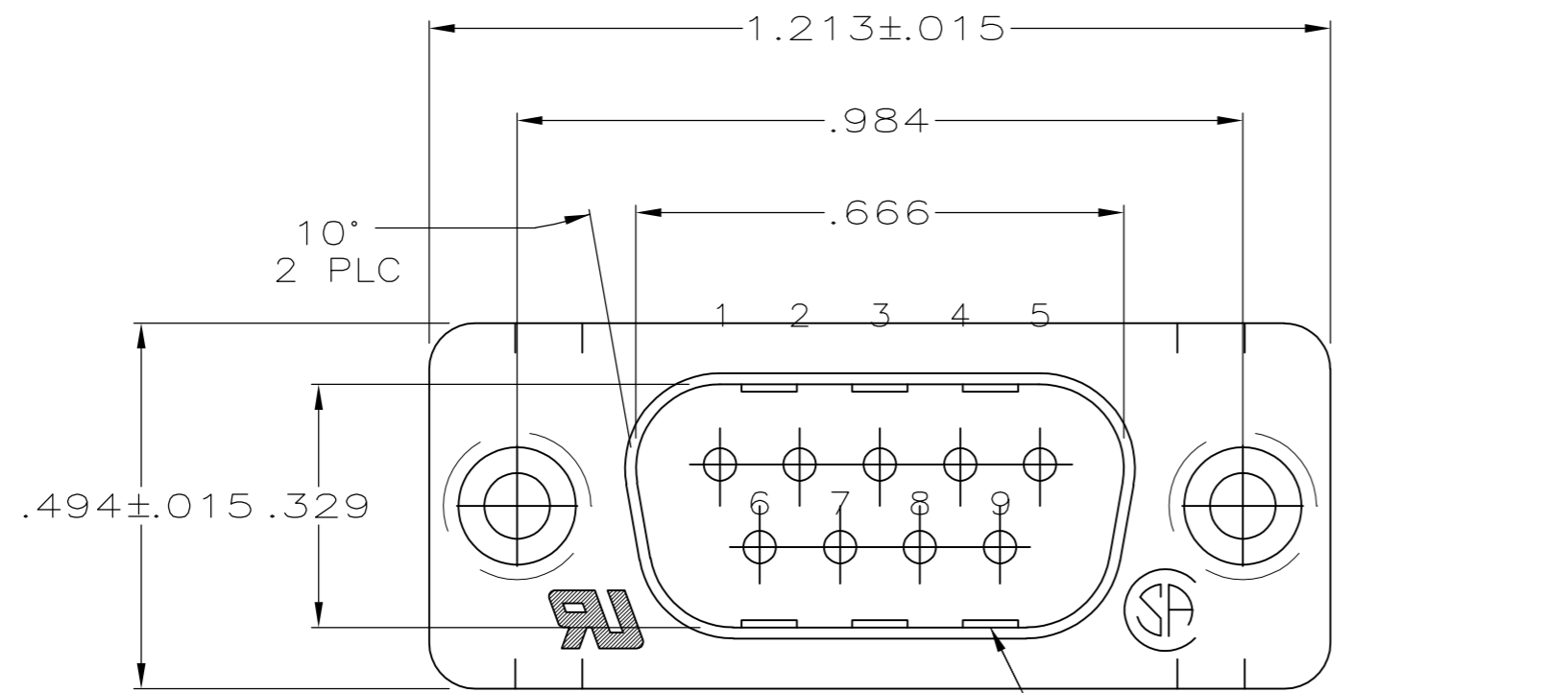
Email & Skype: info@chipsmall.com Web: www.chipsmall.com

Address: A1208, Overseas Decoration Building, #122 Zhenhua RD., Futian, Shenzhen, China



THIS DRAWING IS UNPUBLISHED. RELEASED FOR PUBLICATION
 © COPYRIGHT BY TYCO ELECTRONICS CORPORATION. ALL RIGHTS RESERVED.

LOC		DIST		REVISIONS			
P	LTR	DESCRIPTION	DATE	DWN	APVD		
GP	00	E	REVISD PER ECO-10-000073	15FEB2010	CR	SB	



PC BOARD MOUNTING DIMENSIONS

- 1. NOTE DELETED.
- ⚠ MOLDDED PARTS: FLAME RETARDANT 94V-O RATED GLASS FILLED NYLON OR POLYESTER, BLACK;
CONTACTS: BRASS;
SHELLS: STEEL;
CLINCH NUTS: STEEL;
- ⚠ SHELLS: .000200 MIN TIN OVER .000100 MIN COPPER.
CLINCH NUTS: .000300 MIN ZINC WITH CLEAR CHROMATE COATING.
- ⚠ GOLD PLATED FOR A LENGTH OF .150 FROM MATING END, .000030 MIN GOLD IN MATED AREA, .000100-.000200 TIN OR TIN-LEAD ON SOLDER END, ALL OVER .000050 MIN NICKEL ON ENTIRE CONTACT.
-OR-
GOLD FLASH OVER PALLADIUM-NICKEL PLATED FOR LENGTH OF .150 FROM MATING END, .000030 MIN TOTAL IN MATED AREA, .000100-.000200 TIN OR TIN-LEAD ON SOLDER END, ALL OVER .000050 MIN NICKEL ON ENTIRE CONTACT.

4	749014-1
CONTACT FINISH	PART NUMBER

THIS DRAWING IS A CONTROLLED DOCUMENT.		DWN L.SIPE 8-30-88	Tyco Electronics Corporation Harrisburg, PA 17105-3608	
DIMENSIONS: INCHES		CHK W.LENKER 8-31-88		
TOLERANCES UNLESS OTHERWISE SPECIFIED:		APVD C. ROHDE 9-2-88	NAME	
0 PLC ± -	1 PLC ± -	PRODUCT SPEC	PLUG ASSEMBLY, SIZE 1, 9 POSN, VERTICAL, W/ GROUNDING INDENTS & CLINCH NUTS, AMPLIMITE® HDP-20	
2 PLC ± -	3 PLC ± .005	APPLICATION SPEC	SIZE	CAGE CODE
4 PLC ± -	ANGLES ± 2°	114-40013	A2	00779
MATERIAL	FINISH	WEIGHT	DRAWING NO	RESTRICTED TO
⚠	⚠	-	C=749014	-
CONTACTS: SEE TABLE		CUSTOMER DRAWING	SCALE 4:1	SHEET 1 of 1
			REV E	

749014